

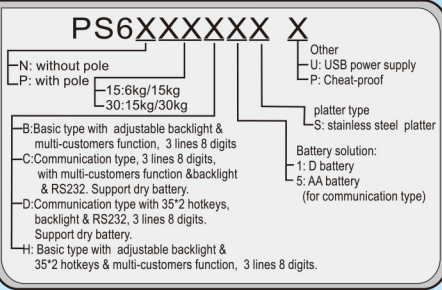
PS6X Series



OIML Certificate No: R76-2006-NL1-15.17
 Patent number of Vibration trigger design: ZL 2009 2 0177204.7
 Multi customers accumulating Patent No.: ZL 2012 2 0205564.5
 Membrane Key Patent No.: ZL 01 2 03361.8
 Insect-proof Patent No.: ZL 03 2 26288.4

Price Computing Scale Communication Price Computing Scale

MODEL EXPLICATION



PS6B/C



PS6D/H



PS6 with pole



insect-proof loop design (patent)

UNIQUE FUNCTIONS

- Unique super power-saving design in the world, only 3 D alkaline batteries can drive the scale 2 years (8 hours each day, 30 times each hour, 10 seconds each time).
- Insect-proof design (patent), able to prevent the defect caused by bugs entering into the machine, reducing 80% failure.
- Unique multi customers accumulating function (patent) with five accumulating keys, able to accumulate for five customers at the same time. One piece of scale could equal to five scales.
- Patent vibration-detected-circuit design, most of the time in super power saving stand-by status(21 uA)will enter into working status by any loading(backlight degree 1~7,default 1 degree, 5.5mA).
- Lower cost: 3 D type dry batteries can drive the scale for 2-3 years. The life of traditional lead batteries is only 2 years and need professional people to replace, expensive and often break down.
- Patent hot keypad, not only can be printed to put PLU sheet underneath, but also can be used as unit price default keys, improve sale efficiency.
- Super 3-line 8 characters LCD display, able to display weight, unit price and total price in the same screen.
- The most feature-rich in redisplay function, able to redisplay the transaction process which including unit price, piece weight, total price, price unit and serial number, clearer than other scales in market.
- Well-designed combined function keys, convenience and easy to operate.
- Daily total turnover check function.
- The type with communication port, able to connect with POS or ECR. Optional RS232 dongle to realize wireless communication.

EXCELLENT FUNCTIONS

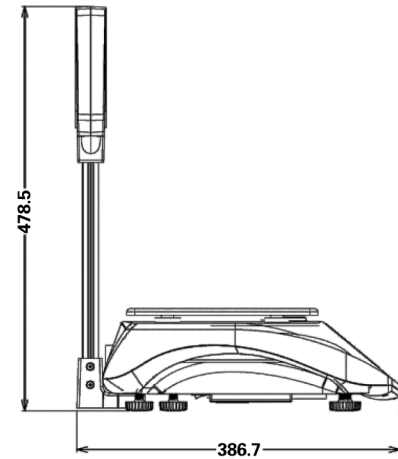
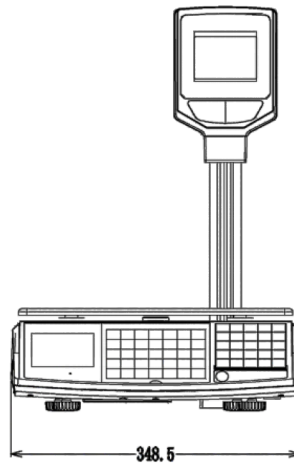
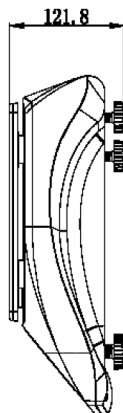
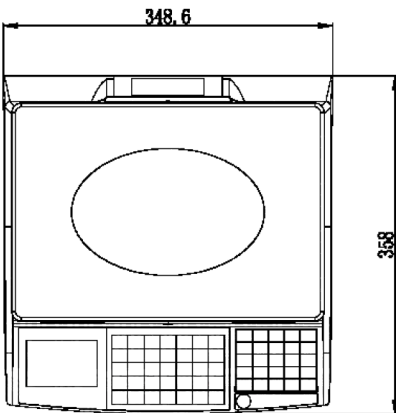
- High-sensitive light touch keyboard, carbon film conductive keyboard plate, super long usage life.
- Auto-power saving design, will enter into the stand-by status automatically without any operation (user-defined 4~200 seconds at will, 200 seconds won't enter into auto-power saving status) only consuming 21 μA., able to be awake by any loading or operation due to the inner shaking mechanism.
- Support backlight shift function by pressing the backlight key for 1.5 seconds, able to save electric power by turning off backlight in bright area and extend service life of dry battery.
- CHG function, assist users to change notes accuracy.
- 8 memory unit price key, convenient to operate when busy.
- Store 70 PLU.
- Support price-lock function, suitable to sell weighing commodity of same price.
- Price unit (500g) or kilogram (kg) can be set, suitable to traditional market.
- Two optional ranges: 15kg (e=2g/5g) or 30kg (e=5g/10g).

SPECIFICATIONS

Model	PS6B	PS6H	PS6C	PS6D
Hotkey	No	35*2 hotkeys	No	35*2 hotkeys
Interface	No	No	RS232	RS232
Internal Resolution	1/30000			
Weighing Range	6kg/15kg;15kg/30 kg			
Weighing Capacity (Max.)	2g/5g;5g/10g			
Weighing Capacity (Min.)	40g;100g			
Tare Value (Max.)	-5.998kg; -9.995kg			
Power Supply	3 PCS D batteries		3 PCS AA batteries	
Battery Estimated Use Time	approximate 2 years(8 hours each day, 30 times each hour, 10 seconds each time)			
Power Consumption	soft tuning off < 5 μ A ,stand by: 21 μ A ,working :4.6mA; backlight on:<5.5mA			
LCD Backlight	with backlight			
Dimension	with pole : 348.5*386.7*478.5mm;without pole:348.6*358*121.8mm			

DIMENSIONS

Unit:mm



WIRELESS COMMUNICATION SCALE



Inter-Register Communication (M) Sdn. Bhd. [198701004225 (162895-K)]

34, Jalan Tanjung SD 13/1, Bdr Sri Damansara, 52200 Kuala Lumpur.

Tel: (6)03-6272 8000 (8 Line)

Fax: (6)03-6272 3210

Homepage: www.irc.com.my

E-mail: general@irc.com.my