

PDI INDICATOR

PDI INDICATOR

SPECIFICATIONS

Model	PDI
Applied Voltage for load cell	DC 5V (350Ω maximum 8 possible connections)
Zeroing Range	0~2 mV/V
Input Sensitivity	0.5 uV/D (OIML)
	0.2 uV/D (Non OIML)
A/D Internal Resolution	1/520,000
A/D External Resolution	1/10,000 (OIML)
	1/20,000 (Non OIML)
A/D Conversion Speed	80 Rounds/Second
Sign for status	STABLE, NET, ZERO, COM
Weight Display	LCD (6digit)
Power	AC Adapter (100~240 V)
Operating Temperature (°C)	-10 ~ 40
Product Size (mm)	141(W) X 101(D) X 382(H)
Product Weight	500g
Interface	Standard COM1 (RS-232 Printer & PC Interface)
	Option USB

FEATURES

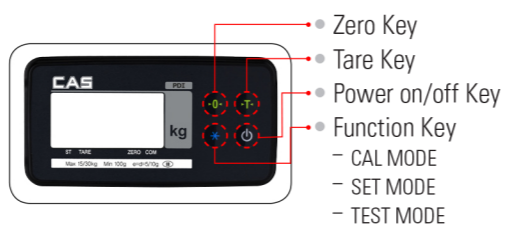
- Suitable for the checkout scale and weighing system
- Adjustable view angle of indicator
- Independent zeroing functions
- Connectable with various platform

Adjustable view angle of indicator



The user can view weight in various angles with adjustment of view angle of indicator.

Easy operations

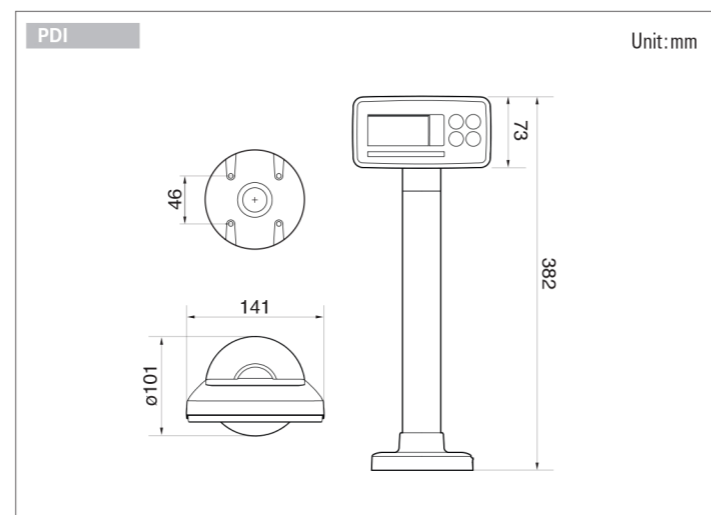


Connectable with various platform

Connectable with various ECR system, POS system and check out scale.



DIMENSIONS



RETAIL WEIGHING SOLUTION™

PDS SERIES

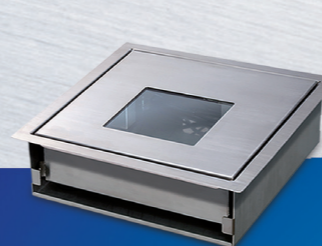
PDS / PDS-P / PDS-II / PDI/SPS3326



PDS-II
(Metrologic)



PDS-II
(Datalogic)



PDS-P



PDI/SPS3326



Inter-Register Communication (M) Sdn. Bhd. [198701004225 (162895-K)]

34, Jalan Tanjung SD 13/1, Bdr Sri Damansara, 52200 Kuala Lumpur.

Tel: (6)03-6272 8000 (8 Line)

Homepage: www.irc.com.my

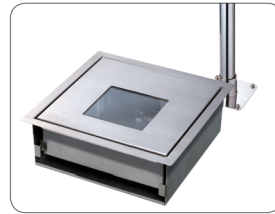
Fax: (6)03-6272 3210

E-mail: general@irc.com.my

CAS

PDS & PDS-P

PDS | Horizontal scanner scales



Stainless-steel Body



Adjustable Pole Height



Large LED Display & Function Key



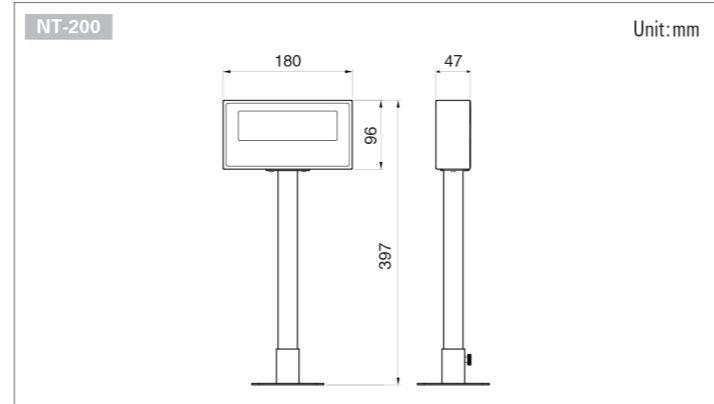
FEATURES

- Two major components : NT-200 Display, scale
- Semi-permanent structure
- Easy to read display (25mm Large display)
- High accuracy loadcells
- RS-232C interface

Various scanners to be built in the scale

- Metrologic, Honeywell (MS 7620 Horizon, MS860)
- Datalogic (Magellan 2300 HS)
- Motorola (Symbol LS7808)

DIMENSIONS



PDS-P | Horizontal scanner scales

FEATURES

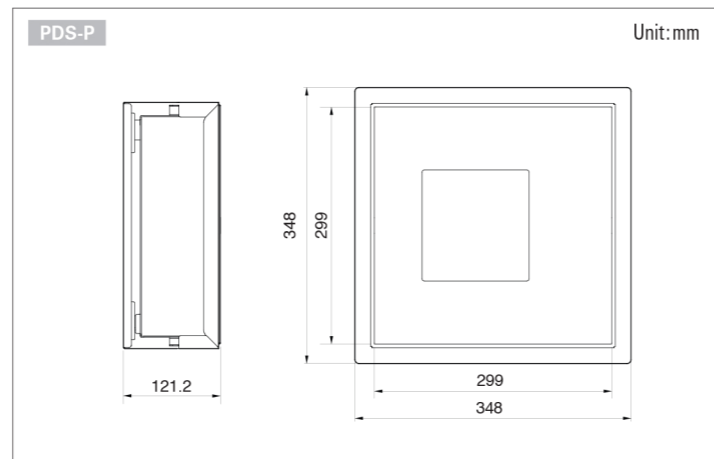
- Two major components : PDI display, scale
- Various angle indicator
- Rapid checkout operation
- Integrated scanner scale
- In one compact package
- Choice of various scanners

SPECIFICATIONS

MODEL	PDS / PDS-P	
Max. Capacity (kg)	15	30
Readability (g)	5	
Operating Temperature (°C)	-10 ~ 40	
Power	AC Adapter (220V)	AC Adapter (100~240V)
Platter Size (mm)	299 (W) x 299 (D)	
Dimensions (mm)	348 (W) x 348 (D) x 121.2 (H)	
Product weight (kg)	10	
Available Scanner	Metrologic (Honeywell) -MS7620 Horixonm, MS860 Datalogic -Magellan 2300 HS Motorola -symbol LS7808	



DIMENSIONS



PDS-II & PDI/SPS3326

PDS-II | Kit for bioptic type scanner and PDI

FEATURES

- Two major components: PDI display, scale kit for bioptic type scanner
- Rapid checkout operation at POS environment
- Compact, Adaptation, Convenient, Customer Friendly
- Flexible installation
- Various angle indicator

Various scanners to be built in the scale

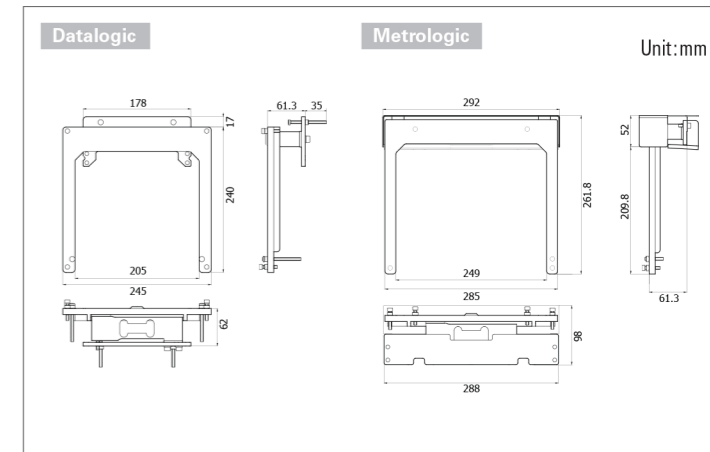
- Metrologic : MS2400 Stratos
- Datalogic : Magellan8400

SPECIFICATIONS

MODEL	PDS-II	
	Datalogic	Metrologic
Max. Capacity (kg)	15	
Readability (g)	5	
Operating Temperature (°C)	-10~ 40	
Power	AC Adapter (100~240V)	
Platter Size (mm)	254 (W) x 240 (D)	285 (W) x 262 (D)
Dimensions (mm)	245 (W) x 257 (D) x 61.3 (H)	285 (W) x 261.8 (D) x 98 (H)
Product Weight (kg)	2.6	3.6
Available Scanner	Magellan8400	MS2400Stratos



DIMENSIONS



PDI/SPS3326 | Check out scale with low profile platform and PDI

Thanks to a low design particularly installation in a checkout counter

FEATURES

- Two major components : PDI display, scale
- Compact checkout scale
- Low profile
- Various angle indicator
- Various standard protocol available

SPECIFICATIONS

MODEL	PDI/SPS3326
Max. Capacity (kg)	15
Readability (g)	5
Operating Temperature (°C)	-10 ~ 40
Power	AC Adapter (100~240V)
Platter Size (mm)	330 (W) x 264 (D)
Dimensions (mm)	330 (W) x 264 (D) x 55.3 (H) (Option : guide) (340 x 277 x 55.3)
Product Weight (kg)	5.87



DIMENSIONS

