

Ball Type Platter

# PD-II SERIES

## ECR Interface Scale

PD-II is a heavy-duty weight only scale with interfacing capabilities which allows it to be connected to PC POS Systems and Cash Registers.

- Adjustable & Easy-to-Read VFD Display
- Large Stainless Steel Weighing Tray
- Communication Ports: RS-232, Bit Parallel (ECR Interface)
- Low Profile
- Optional Pole Display or Dual Display (side)



Pole Display ▶



◀ Dual Display (Option)



# PD-II SERIES | ECR Interface Scale

## SPECIFICATIONS

Model	PD-II Series				
Max Capacity (kg)	Single	6	15	30	60
Max Capacity (kg)	Dual	3/6	6/15	15/30	20/60
Readability (g)	Single	2	5	10	20
Readability (g)	Dual	1/2	2/5	5/10	10/20
External Resolution	1/3,000 (Single or Dual Interval)				
Display Digit	6 digits				
Display Type	VFD				
Operating Temp.	-10°C ~ 40°C				
Power Source	AC 110 ~ 220V, 50/60Hz				
Platter Size (mm)	380(W) x 280(D)				
Dimensions (mm)	380(W) x 280(D) x 79(H)				
Product Weight (kg)	6.7kg				

## DISPLAY

One display comes standard and it is possible to install another display on the side of the scale. Also the remote pole display is available for the PD-II as an option. The main display can be tilted up and down, making it easier to read.

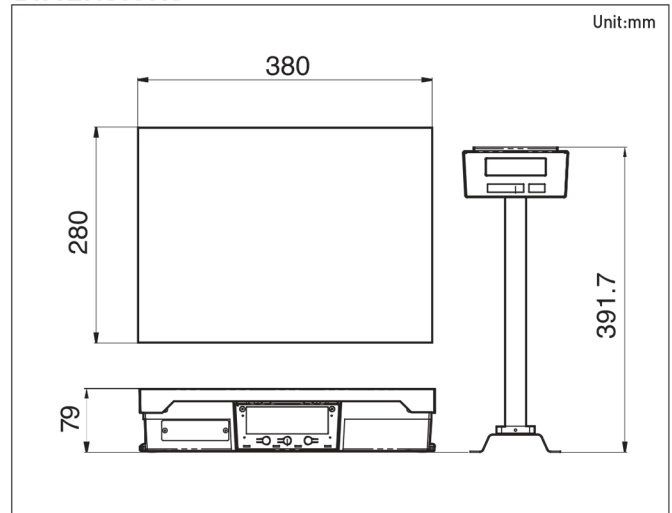
## FEATURES

- Adjustable Display Head
- Easy-to-read VFD Display
- Communication Ports: RS-232C and ECR Interface
- Low Profile

## OPTIONS

- Dual Display (Side)
- Remote Pole Display
- Interface Cables
- Ball Type Platter

## DIMENSIONS



Standard Single Display ▲



Dual Display With Ball Type Platter ▲