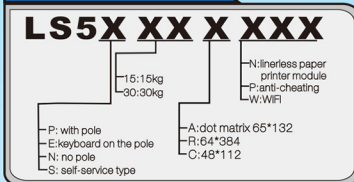


LS5X series

Label Printing Scale

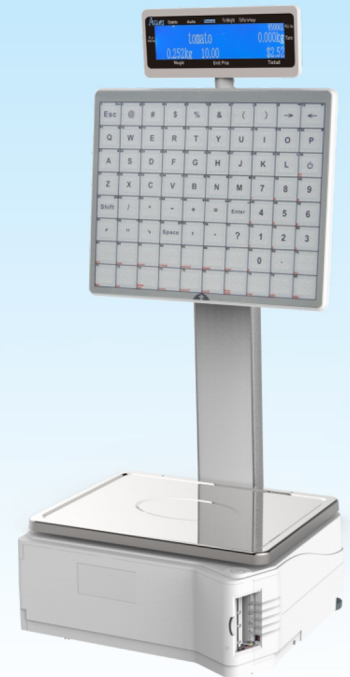
MODEL EXPLICATION



insect-proof design (patent)



LS5PRX



LS5SX



LS5PCX



LS5NX

UNIQUE FUNCTIONS

- Unique printing mechanism design in the world, full printing area available, no need for 5mm (or more) pre-print area, so able to print all area; unlimited by reduced printable area caused by pre-print area. Able to use 30mm height label paper.
- Patent insect-proof design, which prevents the defect caused by bugs entering into the machine, ideal for the fresh and seafood dept.
- Patent hot keypad design, which can be lifted to put PLU sheet underneath. Fast to operate, easy to clean and water-proof. Hotkey sheet can be edited on software. Hotkey order can be changed optionally, and printed immediately. Easy to operate, no need to remember the article number.
- Support customized type with dual functions as label and cash scale. With optional printing module for receipt paper.
- Modularized printer design, easy to replacement and maintenance.
- The first to provide label graph editing software. Free format of label, adjustable label size ranging from 30*30mm to 60*109mm, so as to save cost.
- Support unique and different barcode format and unit for each PLU when weighting on the same scale. It is very flexible.
- Lineless paper: ① save paper, because the paper can be printed at least 30mm high; ② save paper and stock expenses; ③ cut down times of exchanging paper roll, for the printing module can hold 2 times of label paper.

EXCELLENT FUNCTIONS

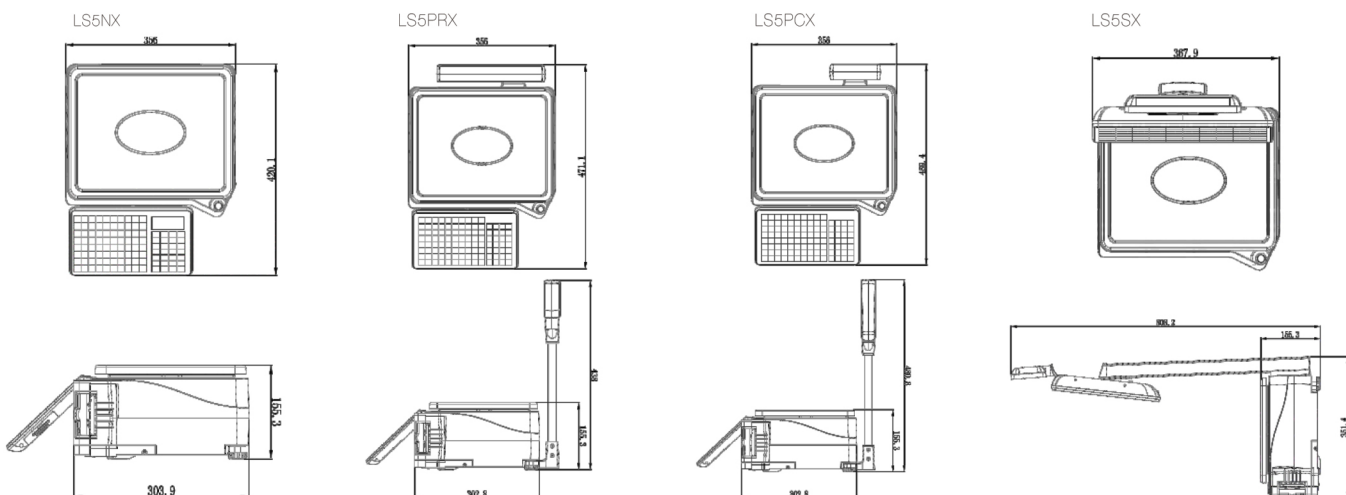
- Printing blackness can be adjusted according to label sensibility. With self-compensation voltage temperature, our printer head has a 2-3 times life time to other general printer head.
- High printing speed up to 120mm/s (traditional speed is 50~80mm/s).
- Exclusive function of upgrading program without opening the machine, convenient and fast, making your scale never falls behind.
- Support printing traceability, nutrition information and two-dimension code.
- With easily understood device operation, the label paper can be changed quickly.
- For the self-service scale, customers can operate on the picture hotkey, only need to press the picture for once, quickly and intuitively. There is a "reprint" key, no need an additional staff for help, saving running cost.
- Account checking function: the data on the scale can be uploaded to PC. For example, when the scale price is not the same as the PC price, such as discount or unit price, the scale can check the account in real time, which avoid the unnecessary loss of misoperation or not prompt price update.
- Powerful discount function, able to set different discounts according to different periods, flexible to operate.
- WIFI optional, able to transmit data via WIFI, avoiding the intricate line connection. It is convenient to add scale when need temporary in promotion.
- Barcode can be rotated for 90° when printing, it can be used as low cost security labels, which can lengthen the life time of the printer head, and can save the label cost.
- The paper is printed out vertically, preventing dirt from pasting in the scroll, which may damage the printer head.
- Support one barcode multi-products of QR code, save lots of label paper, support to fast cashier and save customer queuing time.

SPECIFICATION

Optional types	LS5X			
Display	65*132LCD	48*112LCD	64*384LCD	64*384LCD
Keyboard	Hotkey 8*10; Function key 4*7	Hotkey 8*10; Function key 4*7	Hotkey 8*10; Function key 4*7	8*10 picture hotkeys
Precision Class	III			
Internal resolution	1/30000			
Weighting range	6kg/15kg;15kg/30 kg			
division value	2g/5g;5g/10g			
Paper type	Thermal label paper , paper width (max) 62mm,Φ105mm			
Valid Printing width	56mm			
Printer type	Cassette label printer			
Printing speed	120mm/s			
PLU format	Hotkey number, PLU name, LF code, traceability code, article number,Unit price,price unit,Preservation days,tare,barcode,department,package weight,package type(Normal, fixed weight, fixed price, both fixed),message1,message2,label type, discount hoeky, additional texty			
Label format	2/5 interleaved, Code 128, EAN13etc.Logo,uppercase and lowercase letters,Self-configured label composing & size, adjustable label length ranging from 30~109mm, Advanced label format: various barcode, PLU name, additional information etc.			
Optional function	WIFI			
Communication Interfaces	RJ45*1(Ethernet),RS-232*1,USB			
Power supply	AC 110~240V 50~60Hz			
Working temperature	0□ ~40□			
Working humidity	5%~85%R.H.			

DIMENSION

unit:mm



Inter-Register Communication (M) Sdn. Bhd. [198701004225 (162895-K)]

34, Jalan Tanjung SD 13/1, Bdr Sri Damansara, 52200 Kuala Lumpur.

Tel: (6)03-6272 8000 (8 Line)

Fax: (6)03-6272 3210

Homepage: www.irc.com.my

E-mail: general@irc.com.my