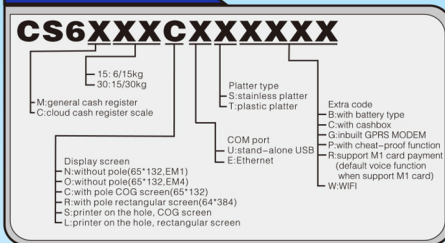


CS6X Series

Patent product, counterfeit will be sued
Membrane key patent No.: ZL 01 2 03361.8
Insect-proof patent No.: ZL 03 2 26288.4

Cash Register Scale

Model Explication



With insect-proof loop
design (patent)



Unique Functions

- Optional "Cloud" card stored-value function, safe and convenient for chain store to issue stored-value card under semi-online sale mode.
- Insect-proof design (patent), base and transmission parts of the scale are totally enclosed, able to prevent bugs like cockroaches from worming into the machine causing breakdown.
- The fastest print speed (150mm/s) of cash register scale in the world (the traditional cash register scale in the market is 50~80mm/s).
- Floating cashier function supports cashier to follow transaction with same customer on different scales as well as settle account and print receipt. Oriented receipts information can be collected to the server, suitable for tourist market.
- Removable and renewable hot keypad, can be edited via PC at any time and printed out so that receptionist can operate with single key, no need to remember serial item number.
- Optional NFC/M1 card management offline/online (with security system).
- Silicone key with light touch feeling and long usage life, makes operation more quickly and easily, high reliability (guarantee for 2 years).
- Optional 2.4G 'P-tooth' to connect with Pinnacle wireless POS peripheral (wireless barcode scanner, NFC/M1 RF card reader, customer display, wireless login lock and so on).
- Optional model with/without built-in battery. For model with battery, unique power saving design can avoid data loss once power outage.
- Optional cash drawer with adjustable space, no need to exchange notes in the peak of settle account. Capable of placing 3 notes and 5 coins. The core of the cash drawer could be pulled out alone and covered to financial office rather than suspending account and handovering on the check-out.
- Support cash register management function such as R/A, member, card transaction function, stock-in check, etc..
- Multiple sales function such as weighing, piece sale, fixed weight and price sale, temporary goods sale, discount, return, dep. sale, etc..

"Cloud" Functions

- Cloud type supports to transmit data to headquarter server directly, suitable for chain management and traceability management. (Welcome software provider to negotiate cooperation.)
- Optional WIFI, GPRS, 3G,4G function, support to send data distributed in chained stores to headquarter cloud server without wiring.
- Supplier traceability message can be downloaded via NFC/M1 card, support to print receipt with traceability code.
- Traceability management function, support to print traceability code label.
- Traceability statistic and report module provides supplier goods source report which displays the statistic data of goods source. The data where the goods has gone also can be statistic and reported to the server.

Excellent Functions

- Provide USB interface, Ethernet type can download data via Ethernet interface, faster and more convenient than traditional cash register scale with RS232 interface.
- More flexible and greater business function, such as discount, price changing, void/return and so on.
- Mini easy-loading paper printer, saving valuable counter space.
- Store's name and logo can be edited and downloaded by PC.
- PLU barcode number: 12,000 of the type with pole
- Available for 6 clerks to hold bill at the same time, meet the needs of business.
- Flexible inventory deduct method, suitable for the food with packaging. Able to calculate the precise stock even different food using one pack.
- Support calculator function, able to do arithmetic on the keyboard.
- Support complete financing functions: purchase, sale, stock, stocktaking, gross profit, etc..
- Print multiple reports: daily report, term report, department report, PLU report, clerk report, gross profit report, etc..
- Perfect combination of cashing and weighing, suitable for fresh food shops.
- Support upload report, transaction list, download PLU and hotkey information by USB disk (connect to RS232 transfer to USB box).
- Unique fixed price and fixed weight sale function.
- Hotkey can be defined flexibly.
- Freely set V1-Vn mode as cashier key or temporary bill holding key according to different occasions.

Software Interface

- Support EAN-13, EAN-8, 37 types of EAN-13 inner code and multiple payment methods.
- Support mixed payments, such as cash, swiping card and vouchers.
- Support the functions of payment options, non-transaction payout, currency transition, etc..
- Access controlled by password which can be changed at any time.
- Training mode (used for training new clerks) and normal sales mode can be switched at any time.

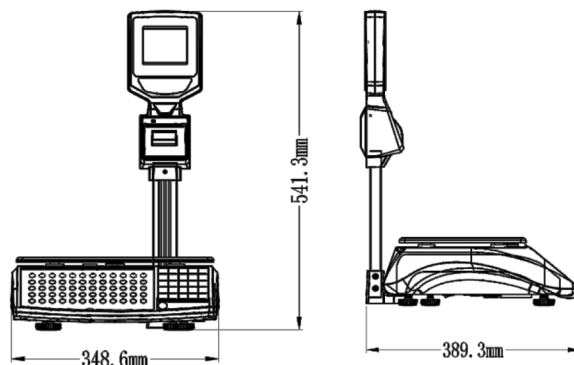
Specification

Model	CS6ZX
Precision class	III
Internal resolution	1/30000
Weighing range	6kg/15kg; 15kg/30kg
Verification scale interval	2g/5g; 5g/10g
Display	65*132 LCD with backlight
Keyboard	60*2 hot keys+25 function keys
PLU	12000
Printer type	Thermal printer, easy-loading paper
Printing speed	120mm/s
Paper width	58mm
Printer head life	50km
Paper external diameter	50mm
Battery capacity (optional)	Lead-acid cell 12V 2.3Ah
Power supply	AC220V 50Hz / DC13.8V 2.5A
Communication port	USB, RS232, drawer port, PS2 port, Ethernet port (only for Ethernet type)
WiFi (optional)	Wifi, GPRS
Cashbox (optional)	3 notes 5 coins small cashbox
Working temperature	0°C~40°C
Working humidity	10~90% R.H.
Dimension	348.6*389.3*541.3mm

Configuration may change for product upgrade, if any difference from this sheet, please feel free to contact us, kindly note no further notice will be sent.

Dimension

unit:mm



Inter-Register Communication (M) Sdn. Bhd. [198701004225 (162895-K)]

34, Jalan Tanjung SD 13/1, Bdr Sri Damansara, 52200 Kuala Lumpur.

Tel: (6)03-6272 8000 (8 Line)

Fax: (6)03-6272 3210

Homepage: www.irc.com.my

E-mail: general@irc.com.my