



Loading Ribbon
 碳帶安裝
 碳帶安裝
 Instalación de cinta
 Chargement de ruban
 Laden des druckbandes
 Instalação de ribbon
 Caricamento nastro
 Ribon takma
 Pasang Pita/Ribbon

Loading Media
 紙捲安裝
 紙卷安裝
 Instalación de papel
 Chargement de papier
 Laden des labelmaterials
 Instalação de etiquetas
 Caricamento carta
 Baskı malzemesini takma
 Pasang Bahan/Media

English

To print labels with multiple columns, please select media types to Multi-Column Labels in Bartender.

繁體中文

若使用並排標籤列印，請在Bartender的標籤樣式選擇並排標籤

简体中文

若使用并排标签打印，请在Bartender的标签样式选择并排标签

Español

Si usa etiqueta de columna múltiple, favor entra a la configuración pagina de Bartender y selecciona columna múltiple en material de etiquetas.

Français

Pour imprimer étiquettes sur plusieurs colonnes, sélectionner type de média: multi colonnes en Bartender.

Deutsch

Um Etiketten mit mehreren Spalten zu drucken, wählen Sie bitte im Bartender den MediaTyp Multi-Column.

Português

Se você usar o rótulo de coluna múltiplas, por favor, entrar na página de configuração de Bartender e selecione etiquetas múltiplas colunas.

Italia

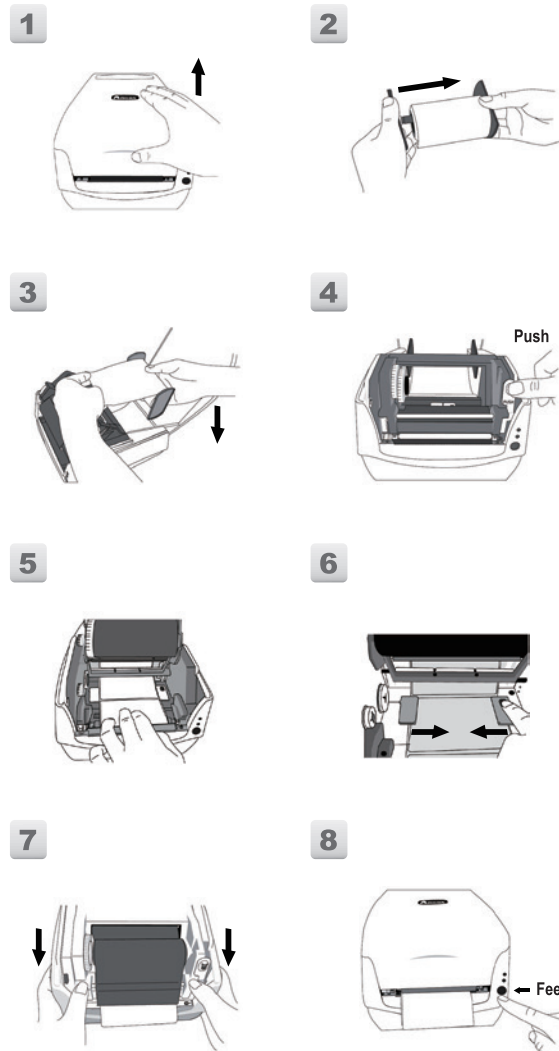
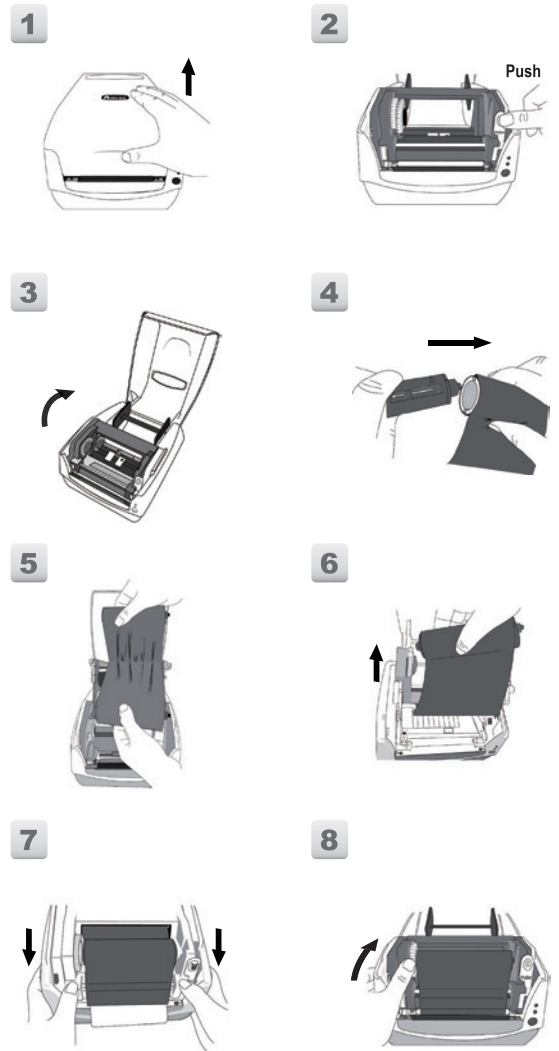
Per stampare etichette su piu colonne, selezionare tipo di supporto "colonne multiple" in Bartender.

Türkçe

yanyana çok sıralı etikete baskı yapmak için. lütfen etiket tipini Bartender da Çok kolonlu etiket olarak seçiniz.

Bahasa Indonesia

Untuk mencetak label dengan beberapa kolom, pilih jenis media label ke Multi Kolom di Bartender



The user is cautioned that any changes or modifications not recommended by Argox Information Co. Ltd. could result in the loss of the user's authority to operate the equipment. To ensure compliance, the users must use accessories and peripherals approved by Argox Information Co. Ltd.



Supplemental Information: This device complies with the requirement of FCC Part 15 Rules. Operation is subject to the following two conditions:
 (1) This device may not cause harmful interference and
 (2) This device must accept any interference received, including interference that may cause undesired operation.

INDUSTRY CANADA NOTICE:

This device complies with Industry Canada ICES-003 class A requirements. Cet équipement est conforme a ICES-003 classe A de la norm Industrielle Canadian.



Please only use adapters with the following electrical characteristics and certified by current legislation. Using other adapters may damage the device, void the warranty, and also cause risks to the user.
 Power Input: 24VDC, 2.4A



The manufacturer declares under sole responsibility that this product conforms to the following standards or other normative documents:
 EMC: EN 55022: 2010 +AC : 2011, class A
 EN 55024: 2010



Argox Information Co., Ltd declare that the products and/or components are compliant with the current requirements of the European Union Restriction on the use of Hazardous Substances (RoHS) Directive, 2011/65/EU



A급기기(업무용 방송통신기기)
 이 기기는 업무용(A급)으로 전자파적합등록을 한 기기이오니 판매자 또는 사용자는 이점을 주의하시기 바라며, 가정외의 지역에서 사용하는 것을 목적으로 합니다.

ARGOX
 Empower the Barcode
 www.argo.com

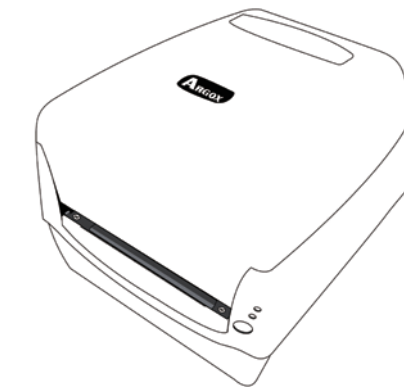
Argox Information Co., Ltd
 7F., No.126, Ln.235, Baoqiao Rd., Xindian Dist.,
 New Taipei City 231, Taiwan (R.O.C.)
 Tel: +886-2-8912-1121 Fax: +886-2-8912-1124
 Copyright © 2016, Argox Information Co. Ltd., All Rights Reserved.

ARGOX
 Empower the Barcode

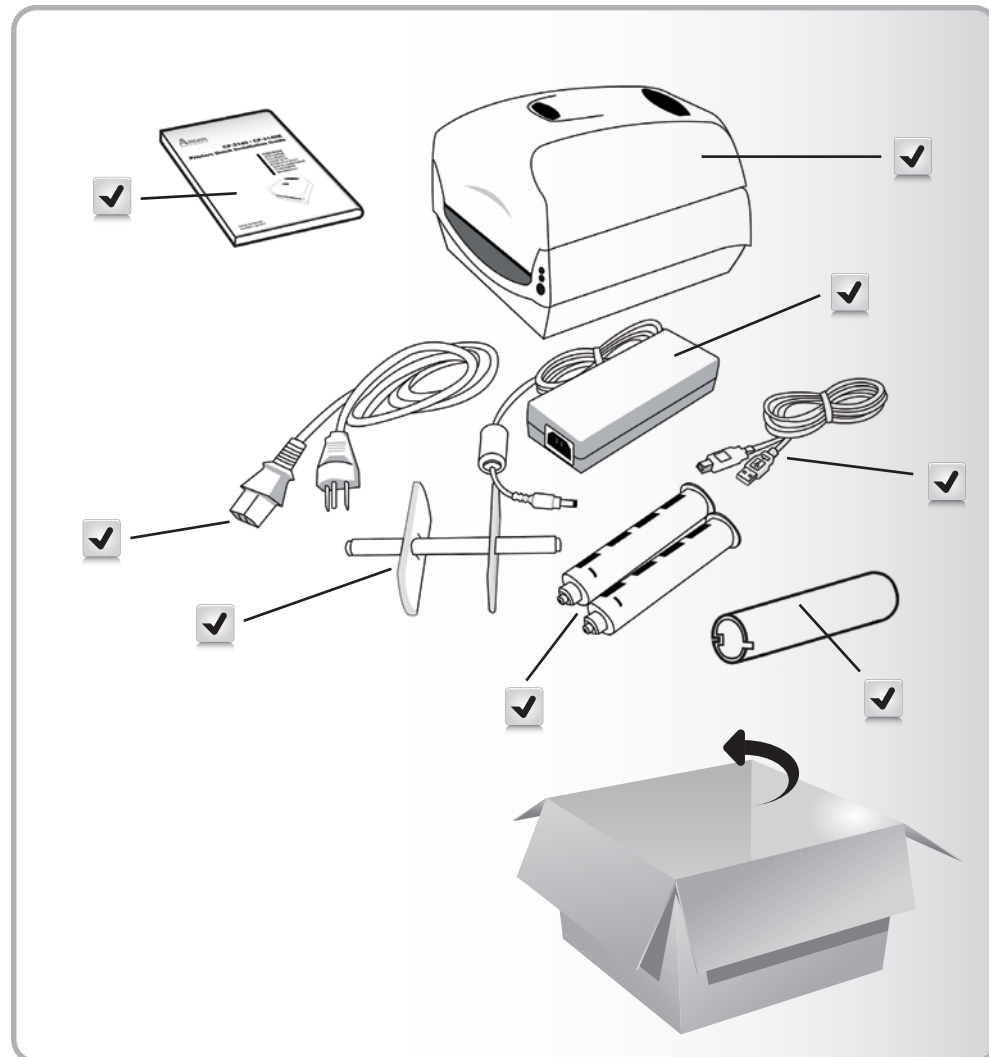
OX-Series Printers Quick Installation Guide



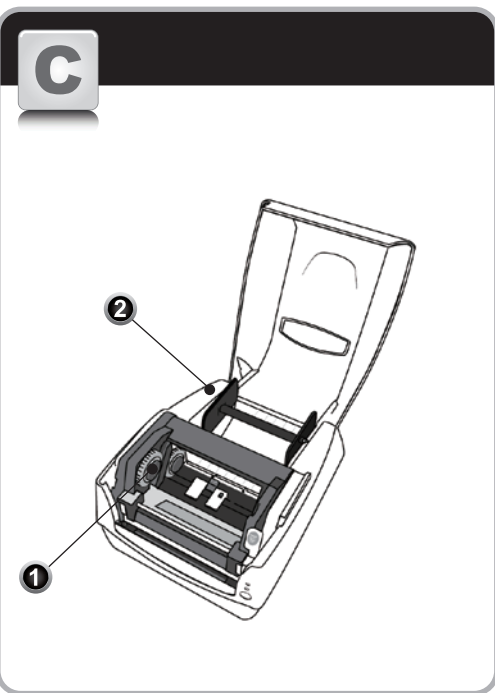
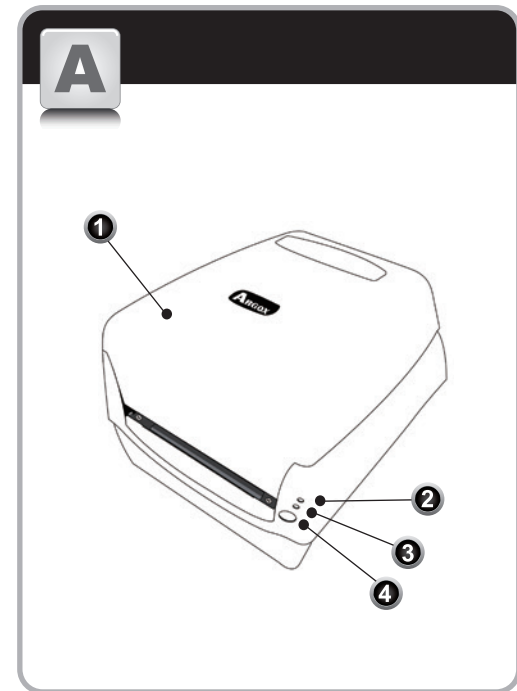
快速安裝指南
 快速安裝指南
 Guía Rápida
 Rapide guide
 Bedienerhandbuch
 Guia de Ajuda Rápida
 Guida Rapida
 Mini Kilavuzu
 Pedoman Penginstalan Cara Cepat



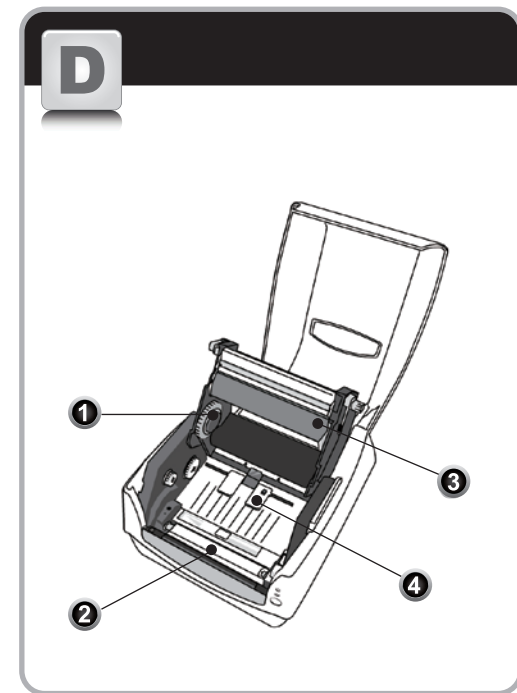
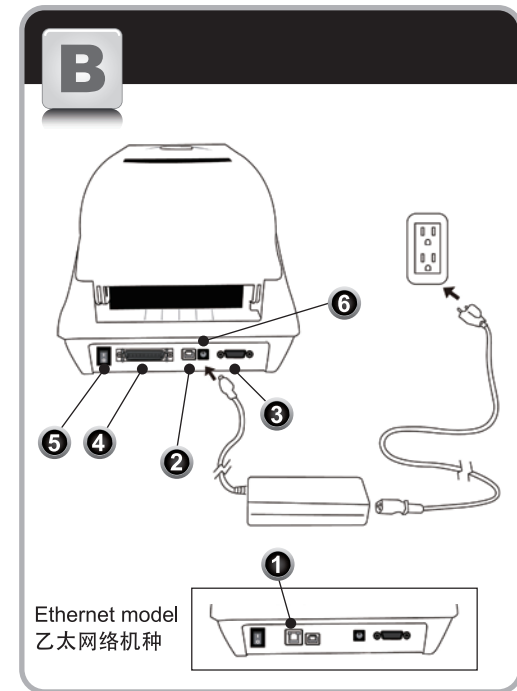
Part No: 49-C2101-051
 Revision Date: October 2016



①



②



③

- English**
- A-**
 1 Top Cover
 2 Power Indicator
 3 Ready Indicator
 4 Feed Button
- B-**
 1 Ethernet
 2 USB
 3 RS232 Serial
 4 Parallel Port
 5 Power Switch
 6 Power Jack
- C-**
 1 Ribbon Pick-up Holder
 2 Media Hanger
- D-**
 1 Ribbon Supply Holder
 2 Platen Roller
 3 Thermal Print Head
 4 Media Guide

- 繁體中文**
- A-**
 1 上蓋
 2 電源燈
 3 確認燈
 4 送紙鍵
- B-**
 1 乙太網路埠
 2 USB 埠
 3 RS232 串列埠
 4 並列埠
 5 電源開關 (O=Off, I=On)
 6 電源連接器
- C-**
 1 碳帶回收軸
 2 紙捲供應端
- D-**
 1 碳帶供應軸
 2 滾軸
 3 印字頭模組
 4 導紙器

- 简体中文**
- A-**
 1 上盖
 2 电源灯
 3 确认灯
 4 送纸按钮
- B-**
 1 以太网网络端口
 2 USB 端口
 3 RS232 串行端口
 4 并行端口
 5 电源开关 (O=Off, I=On)
 6 电源连接器
- C-**
 1 碳带回收轴
 2 纸卷供应端
- D-**
 1 碳带供应轴
 2 滚轴
 3 打印头模组
 4 标签引导器

- Español**
- A-**
 1 Cubierta de arriba
 2 Indicador de energía
 3 Indicador READY
 4 Botón FEED (Alimentación)
- B-**
 1 Ethernet
 2 USB
 3 Serial RS232
 4 Paralelo
 5 Interruptor de energía (O = Off, I = On)
 6 Conector de alimentación
- C-**
 1 Rodillo de suministro de cinta
 2 Soporte de suministro de papel
- D-**
 1 Suministro de cinta
 2 Rodillo arrastre
 3 Cabezal de impresión
 4 Guía de papel

- Français**
- A-**
 1 Couverture
 2 Indicateur d'alimentation
 3 Prêt Indicateur
 4 Bouton d'alimentation
- B-**
 1 Ethernet
 2 USB
 3 Serial RS232
 4 Parallèle
 5 Power (O = Off, I = On)
 6 Connecteur d'alimentation
- C-**
 1 rouleau de ruban d'alimentation
 2 Support l'approvisionnement en papier
- D-**
 1 Communication de la bande
 2 Roller glisser
 3 Tête d'impression
 4 Guide Média

- Deutsch**
- A-**
 1 Deckel
 2 POWER-LED
 3 Zustandsanzeige
 4 FEED-Taste
- B-**
 1 Ethernet
 2 USB
 3 RS232 seriell
 4 Paralleler Anschluß
 5 Netzschalter (O = AUS, I = An)
 6 Stromanschluß
- C-**
 1 Carbonbandauf-nahmespindel
 2 Etikettenrollenhalter
- D-**
 1 Carbonbandabrollspindel
 2 Andruckwalze
 3 Druckkopf-Modul
 4 Etikettenführung

- Português**
- A-**
 1 Tampa Superior
 2 Indicador de Energia
 3 Indicador de Funcionamento
 4 Tecla de avanço de papel
- B-**
 1 Ethernet
 2 USB
 3 Série RS232
 4 Paralela
 5 Interruptor Ligar/ Desligar (O= Desligar, I = Ligar)
 6 Conector de Energia
- C-**
 1 Enrolador de Filme
 2 Suporte do rolo de papel
- D-**
 1 Suporte do rolo de filme
 2 Rolo de tracção
 3 Módulo da cabeça de impressora
 4 Guia do papel

- Italia**
- A-**
 1 Coperchio
 2 LED Accensione
 3 LED Pronto
 4 Pulsante avanzamento
- B-**
 1 Ethernet
 2 USB
 3 Serie RS232
 4 Porta Parallela
 5 Interruttore accensione (O = Off, I = On)
 6 Alimentazione DC
- C-**
 1 Perno recupero nastro
 2 Supporto rotolo
- D-**
 1 Perno nastro nuovo
 2 Rullo stampa
 3 Modulo Testina di stampa
 4 Guida Carta

- Türkçe**
- A-**
 1 Üst Kapak
 2 Güç LED'i
 3 Hazır LED'i
 4 İlerletme Düğmesi
- B-**
 1 Ethernet Girişi
 2 USB Girişi
 3 Seri Port Girişi
 4 Paralel
 5 Açma/Kapatma Düğmesi
 6 Adaptör Girişi
- C-**
 1 Ribon Toplama tutamaçları
 2 Etiket çubuğu
- D-**
 1 Ribon kaynağı tutamaçları
 2 Kauçuk Silindir
 3 Termal Yazıcı Kafası
 4 Etiket aparat

- Bahasa Indonesia**
- A-**
 1 Penutup Atas
 2 Power Indikasi
 3 Ready/Siap Indikasi
 4 Tombol Maju
- B-**
 1 Ethernet
 2 USB
 3 Serial
 4 Port Paralel
 5 Saklar Power
 6 Colokan Power
- C-**
 1 Penyanggah Dudukan Ribbon/Pita
 2 Gantungan Media
- D-**
 1 Dudukan Pemasuk Ribbon/Pita
 2 Platen Penggulung
 3 Print Head Thermal
 4 Panduan Media

④