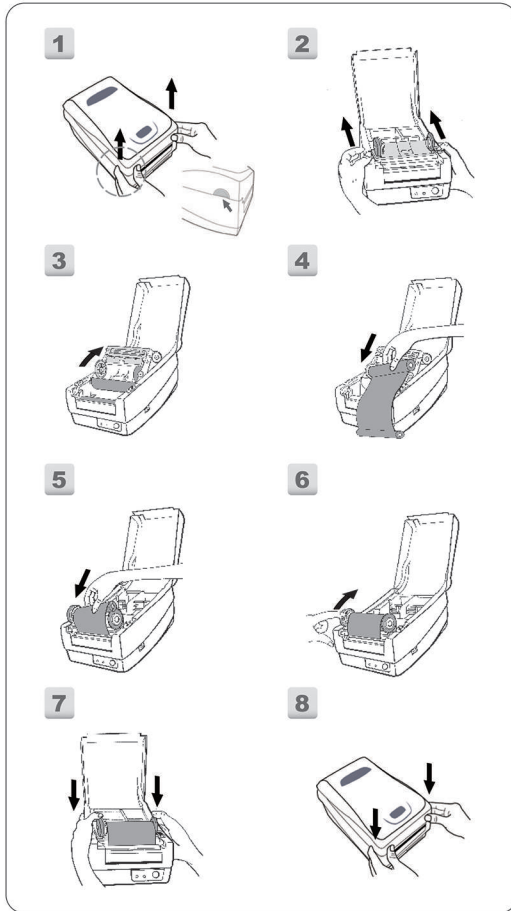


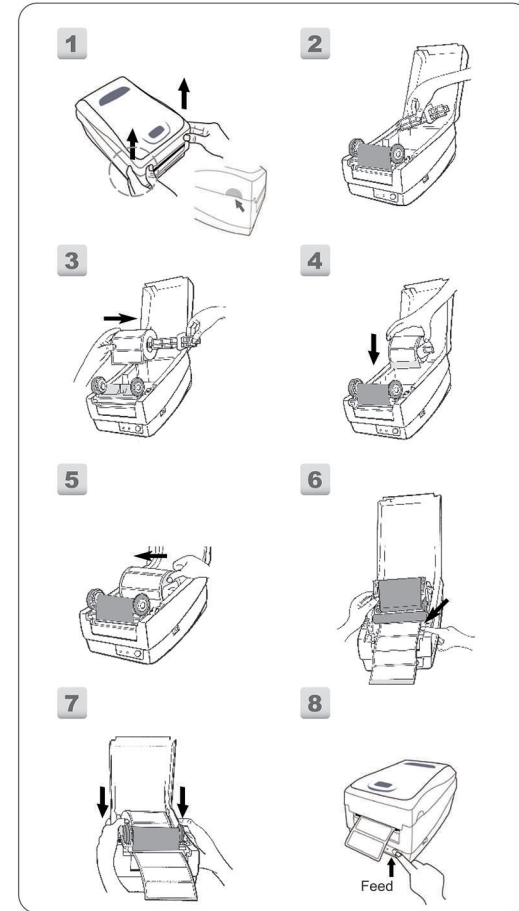
Loading Ribbon
 碳帶安裝
 碳帶安裝
 Instalación de Cinta
 Chargement du ruban
 Laden des Druckbandes
 Entrada de Filme
 Caricamento Nastro
 Ribon takma
 Pasang Pita/Ribbon

Loading Media
 紙捲安裝
 紙卷安裝
 Instalación de Papel
 Chargement de papier
 Laden des Labelmaterials
 Entrada de Papel
 Caricamento Carta
 Baskı malzemesini takma
 Pasang Bahan/Media

Cutter Mode
 裁刀模式
 裁刀模式
 Modo Cortar
 Mode Couper
 Schneidmodus
 Modo Cortador
 Modalità Taglierina
 Kesme modu
 Mode Pemotong

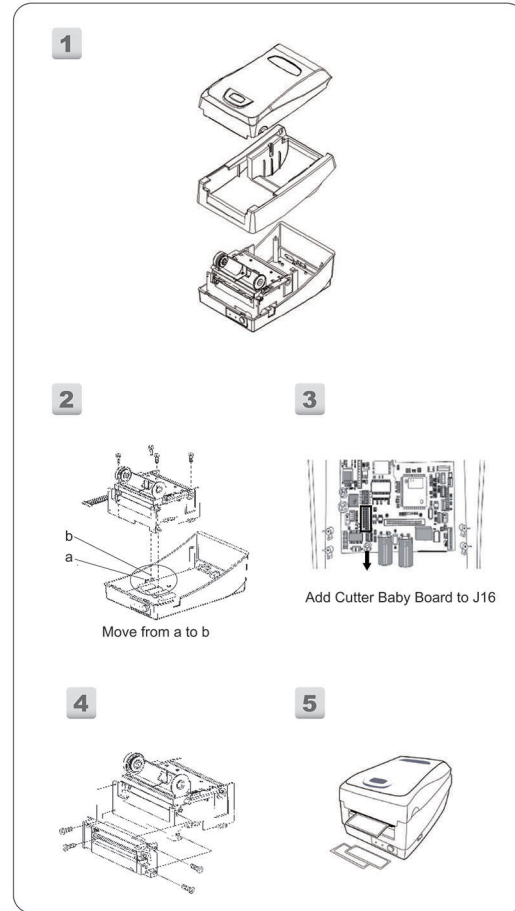


⑤



Feed

⑥



⑦

The user is cautioned that any changes or modifications which not recommended by Argox Information Co. Ltd. could result in the loss of the user's authority to operate the equipment. To ensure compliance, the users must use accessories and peripherals which approved by Argox Information Co. Ltd.



Supplemental Information: This device complies with the requirement of FCC Part 15 Rules. Operation is subject to the following two Conditions:
 (1) This device may not cause harmful interference and
 (2) this device must accept any interference received, including interference that may cause undesired operation.

INDUSTRY CANADA NOTICE:

This device complies with Industry Canada ICES-003 class A requirements. Cet équipement est conforme à ICES-003 classe A de la norm Industrielle Canadian.



Please only use adapters with the following electrical characteristics and are certified by current legislation. Using other adapters may damage the device and void the warranty also cause risks to the user. Specifications Input: 24VDC, 2.4A



The manufacturer declares under sole responsibility that this product conforms to the following standards or other normative documents:
 EMC: EN 55022:2010, class A
 EN 55024: 2010



Argox Information Co., Ltd certifies that the following products and/or components are compliant with the current requirements of the European Union Restriction on the use of Hazardous Substances (RoHS) Directive, 2011/65/EU.



Argox Information Co., Ltd
 7F, No 126, Lane 235, Pao-Chiao Rd., Hsin Tien, New Taipei City, Taiwan, R.O.C.
 Tel: +886-2-8912-1121 Fax: +886-2-8912-1124
 Copyright © 2015. Argox Information Co. Ltd., All Rights Reserved.



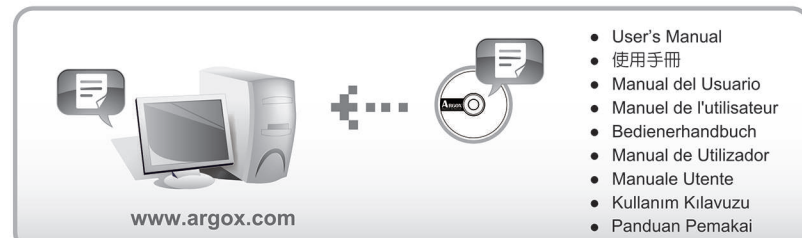
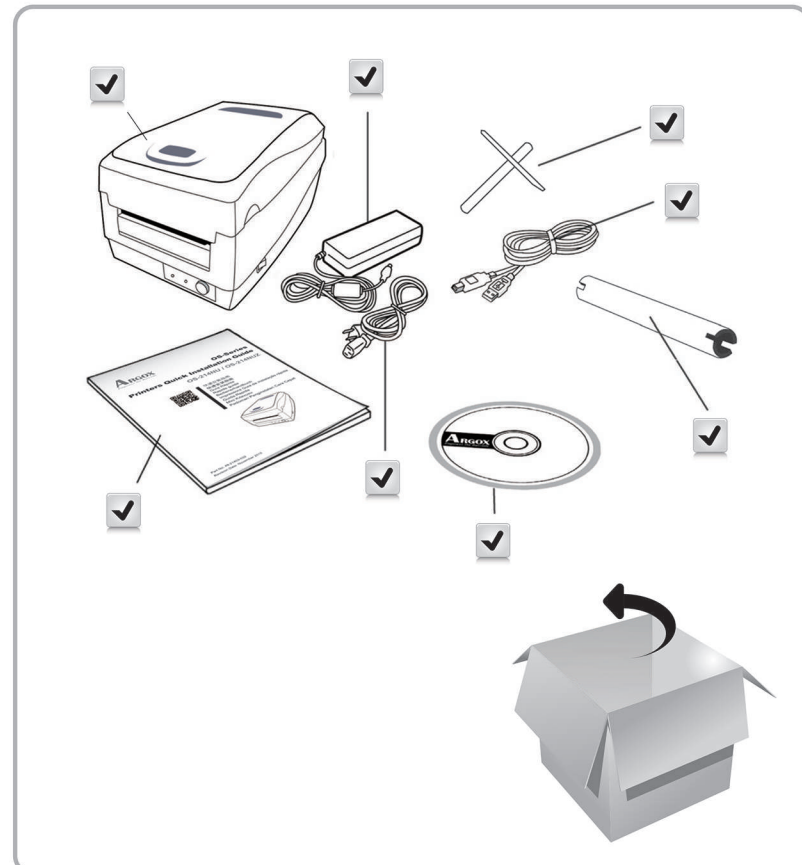
**OS-Series
 Printers Quick Installation Guide**
 OS-214NU / OS-214NUZ



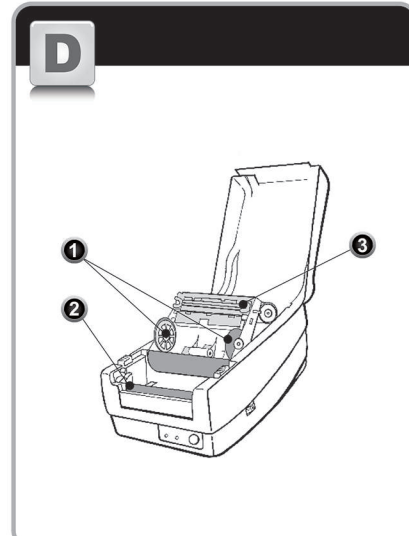
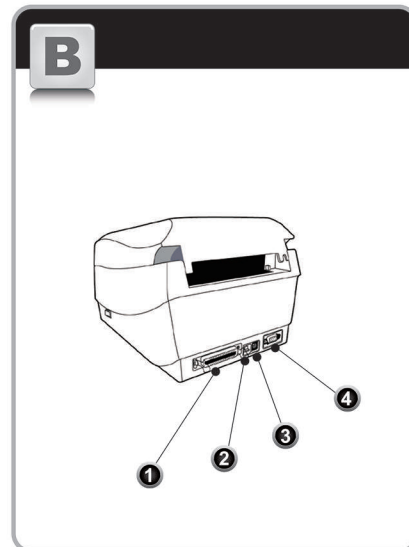
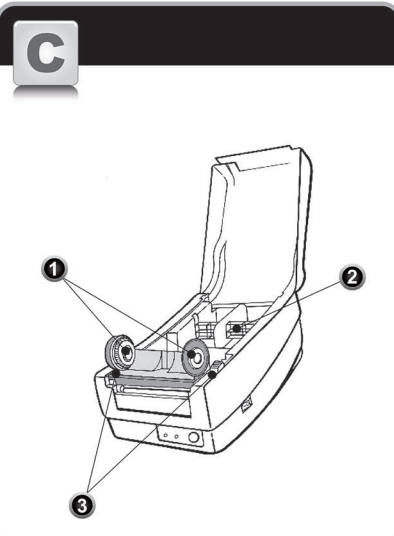
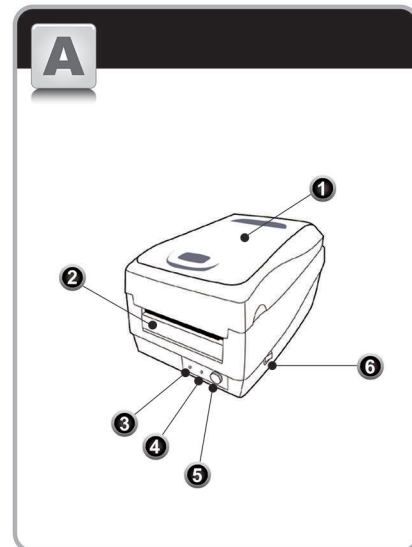
快速安裝指南
 快速安裝指南
 Guía Rápida
 Rapide guide
 Bedienerhandbuch
 Impressora Guia de instalação rápida
 Guida Rapida
 Mini Kilavuzu
 Pedoman Penginstalan Cara Cepat



Part No: 49-21403-032
 Revision Date: November 2015



- User's Manual
- 使用手冊
- Manual del Usuario
- Manuel de l'utilisateur
- Bedienerhandbuch
- Manual de Utilizador
- Manuale Utente
- Kullanım Kilavuzu
- Panduan Pemakai



English

- A-**
- 1 Top Cover
 - 2 H Cover
 - 3 Power Indicator
 - 4 Ready Indicator
 - 5 Feed Button
 - 6 Power Switch
- B-**
- 1 Paralle Port
 - 2 USB
 - 3 Power Jack
 - 4 RS232 Serial
- C-**
- 1 Ribbon Pick-up Holder
 - 2 Media Hanger
 - 3 Release Levers
- D-**
- 1 Ribbon Supply Holder
 - 2 Platen Roller
 - 3 Thermal Print Head

繁體中文

- A-**
- 1 上蓋
 - 2 H 型蓋
 - 3 電源燈
 - 4 確認燈
 - 5 送紙鍵
 - 6 電源開關 (O=Off, I=On)
- B-**
- 1 並列埠
 - 2 USB 埠
 - 3 電源連接器
 - 4 RS232 串列埠
- C-**
- 1 碳帶回收軸
 - 2 紙捲供應端
 - 3 閉鎖卡條
- D-**
- 1 碳帶供應軸
 - 2 滾軸
 - 3 印字頭模組

简体中文

- A-**
- 1 上蓋
 - 2 H 型蓋
 - 3 電源燈
 - 4 確認燈
 - 5 送紙按鈕
 - 6 電源開關 (O=Off, I=On)
- B-**
- 1 並行端口
 - 2 USB 埠
 - 3 電源連接器
 - 4 RS232 串行端口
- C-**
- 1 碳帶回收軸
 - 2 紙卷供應端
 - 3 閉鎖卡條
- D-**
- 1 碳帶供應軸
 - 2 滾軸
 - 3 打印頭模組

Español

- A-**
- 1 Cubierta de arriba
 - 2 Cubierta H
 - 3 Indicador de energía
 - 4 Indicador READY
 - 5 Botón FEED (Alimentación)
 - 6 Interruptor de energía (O = Off, I = A)
- B-**
- 1 Paralelo
 - 2 USB
 - 3 Conector de alimentación
 - 4 Serial RS232
- C-**
- 1 rouleau de ruban d'alimentation
 - 2 Support d'alimentation en papier
 - 3 Levier de sortie
- D-**
- 1 Suministro de cinta
 - 2 Rodillo arrastre
 - 3 Cabezal de impresión

Français

- A-**
- 1 Couverture
 - 2 Couverture H
 - 3 Indicateur d'alimentation
 - 4 Prêt Indicateur
 - 5 Bouton d'alimentation
 - 6 Power (O = Off, I = On)
- B-**
- 1 Parallèle
 - 2 USB
 - 3 Connecteur d'alimentation
 - 4 Serial RS232
- C-**
- 1 rouleau de ruban d'approvisionnement
 - 2 Support l'approvisionnement en papier
 - 3 Levier de sortie
- D-**
- 1 Communication de la bande
 - 2 Roller glisser
 - 3 Tête d'impression

Deutsch

- A-**
- 1 Deckel
 - 2 H Schutzkappe
 - 3 POWER-LED
 - 4 Zustandsanzeige
 - 5 FEED-Taste
 - 6 Netzschalter (O = AUS, I = An)
- B-**
- 1 Paralleler Anschluß
 - 2 USB
 - 3 Stromanschluß
 - 4 RS232 seriell
- C-**
- 1 Carbonbandauf-nahmespindel
 - 2 Etikettenrollenhalter
 - 3 Knöpfe zum Entasten der Halterung
- D-**
- 1 Carbonbandabrollspindel
 - 2 Andruckwalze
 - 3 Druckkopf-Modul

Português

- A-**
- 1 Tampa Superior
 - 2 Tampa H
 - 3 Indicador de Energia
 - 4 LED Pronto
 - 5 Tecla de avanço de papel
 - 6 Interruptor Ligar/ Desligar (O = Desligar, I = Ligar)
- B-**
- 1 Paralela
 - 2 USB
 - 3 Conector de Energia
 - 4 Série RS232
- C-**
- 1 Enrolador de Filme
 - 2 Suporte do rolo de papel
 - 3 Manetes para libertar papel
- D-**
- 1 Suporte do rolo de filme
 - 2 Rolo de tração
 - 3 Módulo da cabeça de impressora

Italia

- A-**
- 1 Coperchio superiore
 - 2 Frontalino
 - 3 LED Accensione
 - 4 LED Pronto
 - 5 Pulsante avanzamento
 - 6 Interruttore accensione (O = Off, I = On)
- B-**
- 1 Porta Parallela
 - 2 USB
 - 3 Alimentazione DC
 - 4 Serie RS232
- C-**
- 1 Perno recupero nastro
 - 2 Supporto rotolo
 - 3 Leve di rilascio
- D-**
- 1 Perno nastro nuovo
 - 2 Rullo stampa
 - 3 Modulo Testina di stampa

Türkçe

- A-**
- 1 Üst Kapak
 - 2 Ön Slot Kapağı
 - 3 Güç LED'i
 - 4 Hazır LED'i
 - 5 İlerletme Düğmesi
 - 6 Açma/Kapatma Düğmesi
- B-**
- 1 Paralel
 - 2 USB Girişi
 - 3 Adaptör Girişi
 - 4 Seri Port Girişi
- C-**
- 1 Ribon Toplama tutamaçları
 - 2 Etiket çubuğu
 - 3 Serbest bırakma Tirnakları
- D-**
- 1 Ribon kaynağı tutamaçları
 - 2 Kauçuk Silindir
 - 3 Termal Yazıcı Kafası

Bahasa Indonesia

- A-**
- 1 Penutup Atas
 - 2 Penutup H
 - 3 Power Indikasi
 - 4 Ready/Siap Indikasi
 - 5 Tombol Maju
 - 6 Saklar Power
- B-**
- 1 Port Paralel
 - 2 USB
 - 3 Serial
 - 4 Colokan Power
- C-**
- 1 Penyandang Dudukan Ribbon/Pita
 - 2 Gantungan Media
 - 3 Tuas Pelepas
- D-**
- 1 Dudukan Pemasuk Ribbon/Pita
 - 2 Platen Penggulung
 - 3 Print Head Thermal