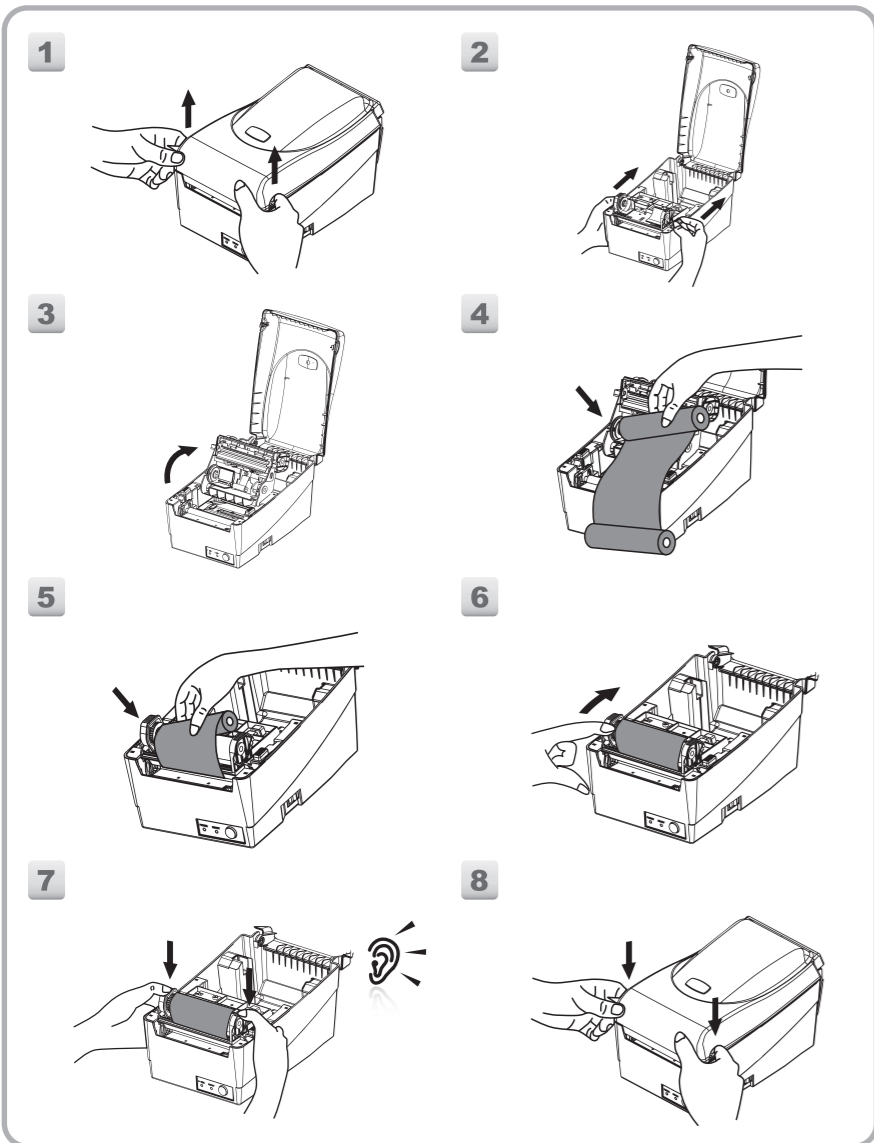
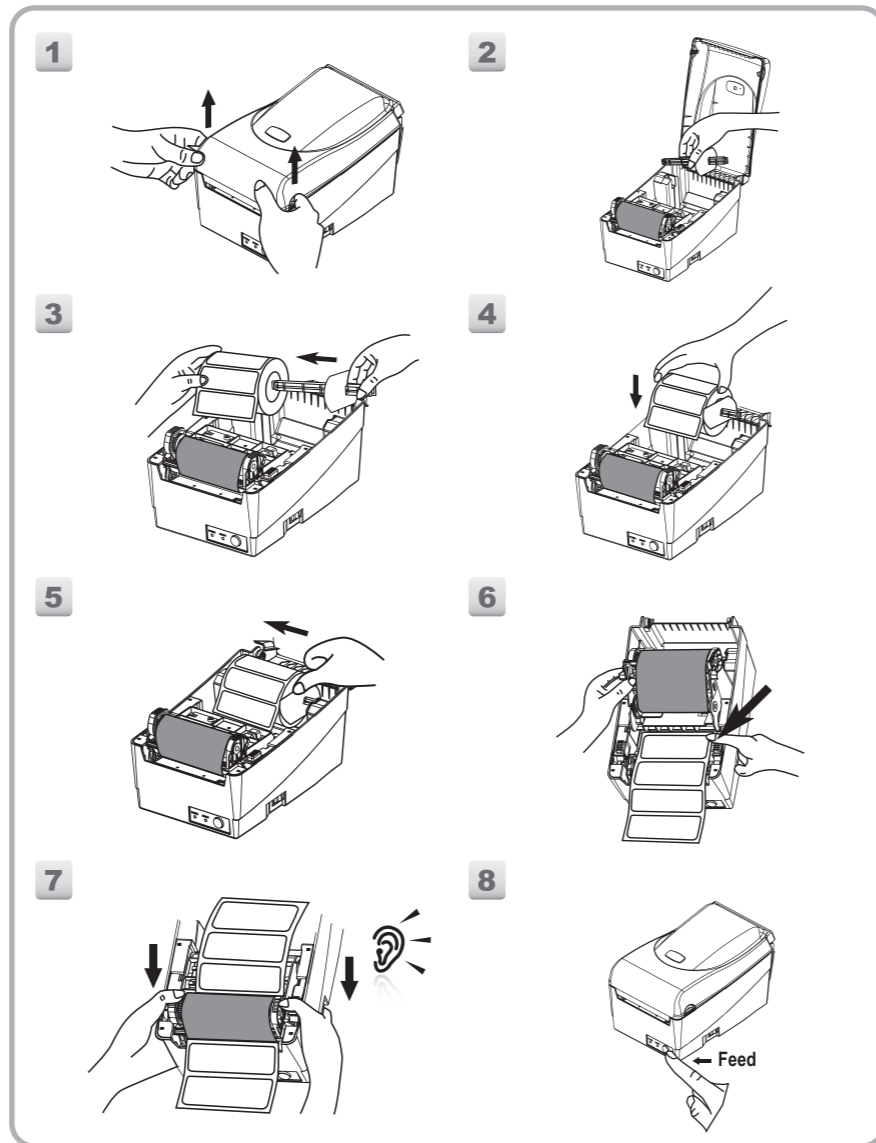


Loading Ribbon
 碳帶安裝
 碳帶安裝
 Instalación de cinta
 Chargement de ruban
 Laden des druckbandes
 Instalação de ribbon
 Caricamento nastro
 Ribon Takma
 Pasang Pita/Ribbon



Loading Media
 紙捲安裝
 紙卷安裝
 Instalación de papel
 Chargement de papier
 Laden des labelmaterials
 Instalação de etiquetas
 Caricamento carta
 Etiket takma
 Pasang Bahan/Media



The user is cautioned that any changes or modifications not recommended by Argox Information Co. Ltd. could result in the loss of the user's authority to operate the equipment. To ensure compliance, the users must use accessories and peripherals approved by Argox Information Co. Ltd.



Supplemental Information: This device complies with the requirement of FCC Part 15 Rules. Operation is subject to the following two Conditions:
 (1) This device may not cause harmful interference and
 (2) this device must accept any interference received, including interference that may cause undesired operation.

INDUSTRY CANADA NOTICE:

This device complies with Industry Canada ICES-003 class A requirements.
 Cet équipement est conforme a ICES-003 classe A de la norm Industrielle Canadian.



IEC 60950-1: 2005+A1: 2009
 EN 60950-1: 2006+A11: 2009+A1: 2010+A12: 2011



EMC: EN 55032: 2015+AC: 2016, Class A
 EN 55024: 2010 + A1: 2015



Argox Information Co., Ltd certifies that the following products and/or components are compliant with the current requirements of the European Union Restriction on the use of Hazardous Substances (RoHS) Directive, 2011/65/EU.

警告使用者：
 這是甲類的資訊產品，在居住的環境中使用時，可能會造成射頻干擾，在這種情況下，使用者會被要求採取某些適當的對策。

CAUTION: RISK OF EXPLOSION IF BATTERY IS REPLACED BY AN INCORRECT TYPE. DISPOSE OF USED BATTERIES ACCORDING TO THE INSTRUCTIONS.

ATTENTION: RISQUE D'EXPLOSION SI LA BATTERIE EST REMPLACÉE PAR UN MODELE INCORRECT. JETEZ LES BATTERIES USAGÉES SELON LES INSTRUCTIONS SY REFERANT.

Argox Information Co., Ltd.

7F., No.126, Ln.235, Baoqiao Rd., Xindian Dist.,
 New Taipei City 231, Taiwan (R.O.C.)
 Tel: +886-2-8912-1121 Fax: +886-2-8912-1124
<https://www.argox.com>
<https://www.youtube.com/user/argoxmkt>
 email:service@argox.com

Copyright © 2020. Argox Information Co.Ltd., All Rights Reserved.

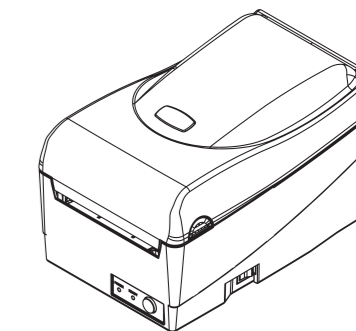
單元 Unit	限制物質及其化學符號 Restricted substances and its chemical symbols					
	鉛 Lead (Pb)	汞 Mercury (Hg)	鎘 Cadmium (Cd)	六價鉻 Hexavalent chromium (Cr ^{VI})	多溴聯苯 Polybrominated diphenyls (PBB)	多溴二苯醚 Polybrominated diphenyl ethers (PBDE)
印刷電路板組件	○	○	○	○	○	○
線紋	○	○	○	○	○	○
線材	○	○	○	○	○	○
變壓器	○	○	○	○	○	○
印字頭模組	○	○	○	○	○	○
紙	○	○	○	○	○	○

備考1: "超出0.1 wt%" 及 "超出0.01 wt%" 係指限制物質之百分比含量超出百分比含量基準值。
 Note 1: "Exceeding 0.1 wt%" and "exceeding 0.01 wt%" indicate that the percentage content of the restricted substance exceeds the reference percentage value of presence condition.
 備考2: "○" 係指該項限制物質之百分比含量未超出百分比含量基準值。
 Note 2: "○" indicates that the percentage content of the restricted substance does not exceed the percentage of reference value of presence.
 備考3: "—" 係指該項限制物質為排除項目。
 Note 3: The "-" indicates that the restricted substance corresponds to the exemption.

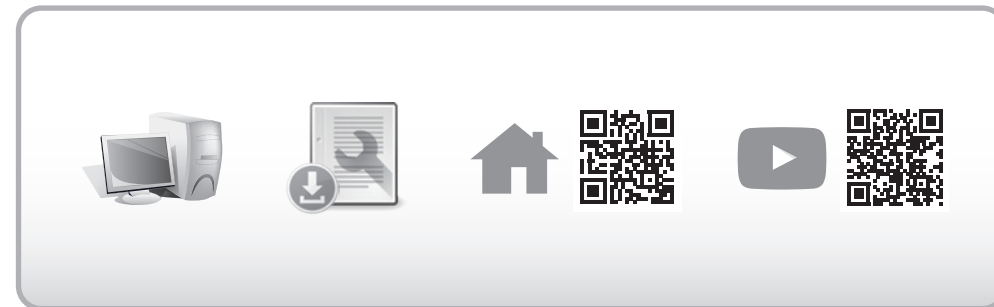
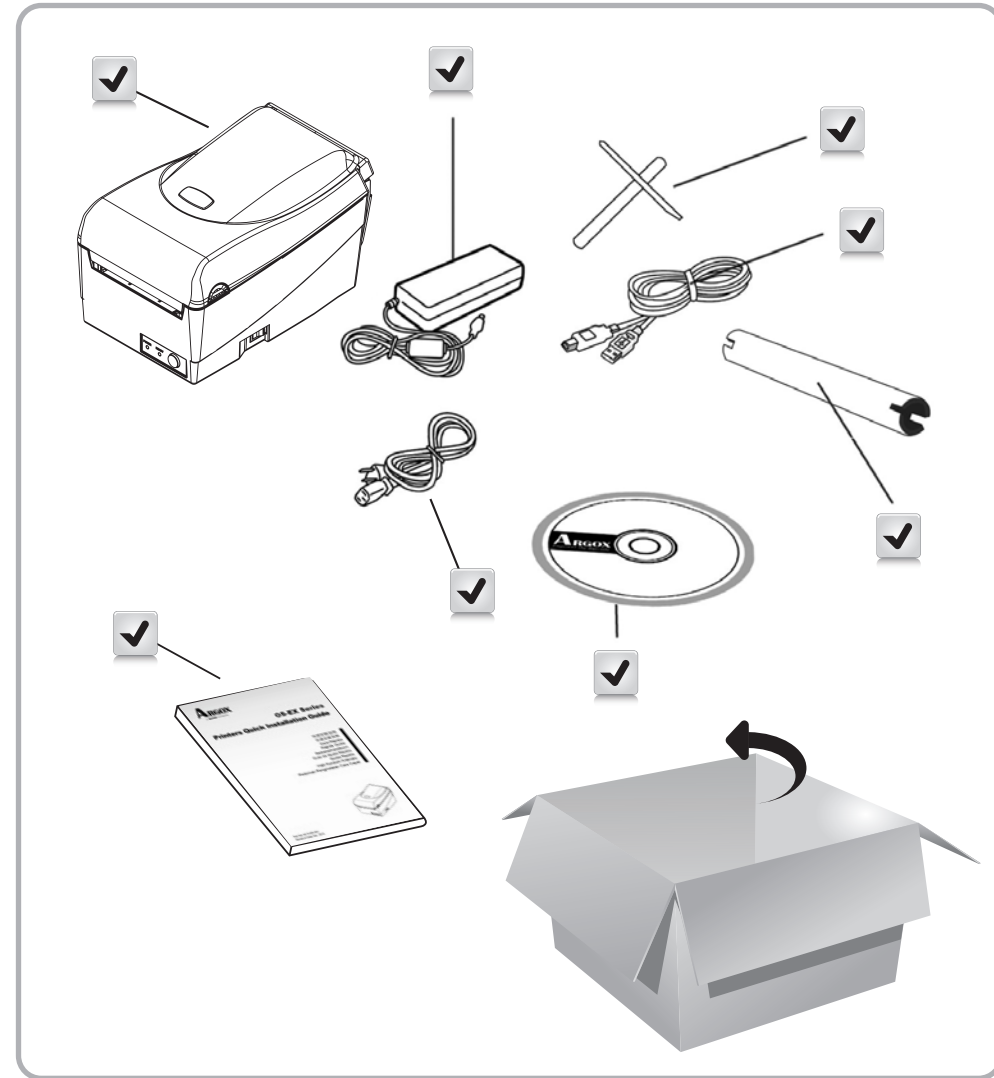


OS-214EX / OS-200
Printers Quick Installation Guide

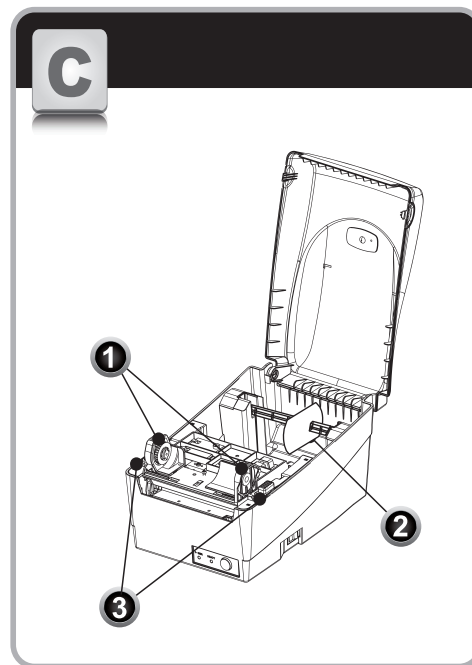
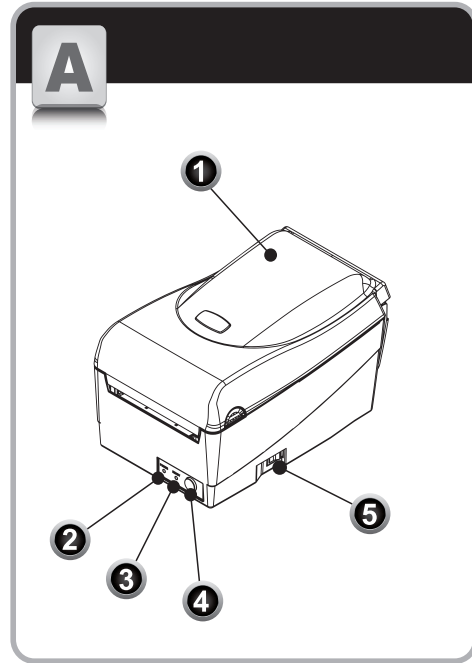
快速安裝指南
 快速安装指南
 Guía Rápida
 Rapide Guide
 Bedienerhandbuch
 Guia de Ajuda Rápida
 Guida Rapida
 Hızlı Kurulum Kılavuzu
 Pedoman Penginstalan Cara Cepat



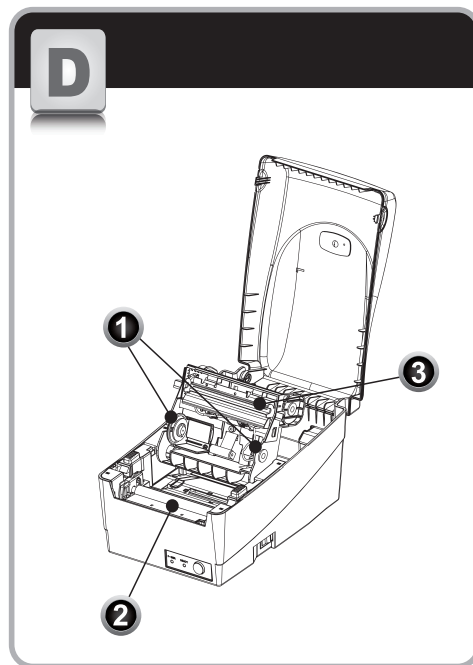
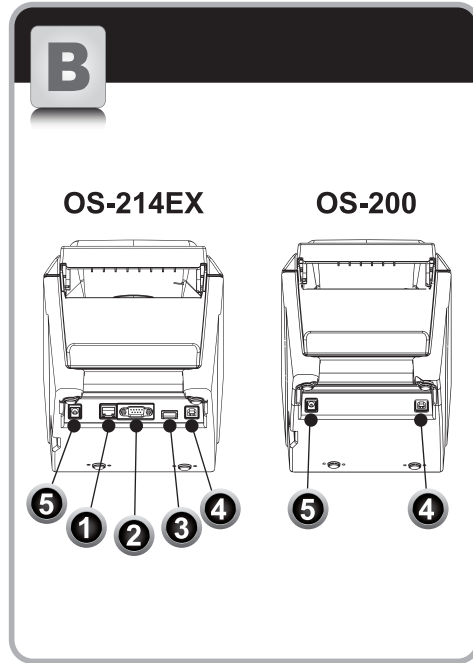
Part No: 49-21403-042
 Revision Date: Jan. 2020



①



②



English

-A-

- 1 Top Cover
- 2 Power Indicator
- 3 Ready Indicator
- 4 Feed Button
- 5 Power Switch

-B-

- 1 Ethernet
- 2 Serial Port (RS232-C)
- 3 USB Type A
- 4 USB Type B
- 5 Power Jack

-C-

- 1 Ribbon Pick-up Holder
- 2 Media Hanger
- 3 Release Levers

-D-

- 1 Ribbon Supply Holder
- 2 Platen Roller
- 3 Thermal Print Head

繁體中文

-A-

- 1 上蓋
- 2 電源燈
- 3 確認燈
- 4 送紙鍵
- 5 電源開關

-B-

- 1 乙太網路埠
- 2 RS232 串列埠
- 3 USB Type A
- 4 USB Type B
- 5 電源連接器

-C-

- 1 碳帶回收軸
- 2 紙卷供應端
- 3 閉鎖卡條

-D-

- 1 碳帶供應軸
- 2 滾軸
- 3 印字頭模組

简体中文

-A-

- 1 上盖
- 2 电源灯
- 3 确认灯
- 4 送纸按钮
- 5 电源开关

-B-

- 1 乙太网络端口
- 2 RS232 串口
- 3 USB Type A
- 4 USB Type B
- 5 电源连接器

-C-

- 1 碳带回收轴
- 2 纸卷供应端
- 3 闭锁卡条

-D-

- 1 碳带供应轴
- 2 滚轴
- 3 打印头模组

Español

-A-

- 1 Cubierta de arriba
- 2 Indicador de energía
- 3 Indicador READY
- 4 Botón FEED (Alimentación)
- 5 Interruptor de energía

-B-

- 1 Ethernet
- 2 Serie RS232
- 3 USB Tipo A
- 4 USB Tipo B
- 5 Conector de alimentación

-C-

- 1 Rodillo de suministro de cinta
- 2 Soporte de suministro de papel
- 3 Seguro de liberación

-D-

- 1 Suministro de cinta
- 2 Rodillo arrastre
- 3 Cabezal de impresión

Français

-A-

- 1 Couverture
- 2 Indicateur d'alimentation
- 3 Prêt Indicateur
- 4 Bouton d'alimentation
- 5 Power

-B-

- 1 Ethernet
- 2 Port Série RS232
- 3 USB Tipo A
- 4 USB Tipo B
- 5 Connecteur d'alimentation

-C-

- 1 rouleau de ruban d'alimentation
- 2 Support l'approvisionnement en papier
- 3 Levier de sortie

-D-

- 1 Communication de la bande
- 2 Roller glisseur
- 3 Tête d'impression

Deutsch

-A-

- 1 Deckel
- 2 POWER-LED
- 3 Zustandsanzeige
- 4 FEED-Taste
- 5 Netzschalter

-B-

- 1 Ethernet
- 2 RS232 seriell
- 3 USB Typ A
- 4 USB Typ B
- 5 Stromanschluß

-C-

- 1 Carbonbandauf-nahmespindel
- 2 Etikettenrollenhalter
- 3 Knöpfe zum Entrasten der Halterung

-D-

- 1 Carbonbandabrollspindel
- 2 Andruckwalze
- 3 Druckkopf-Modul

Português

-A-

- 1 Tampa Superior
- 2 Indicador de Energia
- 3 Indicador de Funcionamento
- 4 Tecla de avanço de papel
- 5 Interruptor Ligar/ Desligar

-B-

- 1 Ethernet
- 2 Serial RS232
- 3 USB Tipo A
- 4 USB Tipo B
- 5 Conector de Energia

-C-

- 1 Enrolador de Filme
- 2 Suporte do rolo de papel
- 3 Manetes para libertar papel

-D-

- 1 Suporte do rolo de filme
- 2 Rolo de tracção
- 3 Módulo da cabeça de impressora

Italia

-A-

- 1 Coperchio superiore
- 2 LED Accensione
- 3 LED Pronto
- 4 Pulsante avanzamento
- 5 Interruttore accensione

-B-

- 1 Ethernet
- 2 Seriale RS232
- 3 USB Tipo A
- 4 USB Tipo B
- 5 Alimentazione DC

-C-

- 1 Perno recupero nastro
- 2 Supporto rotolo
- 3 Leve di rilascio

-D-

- 1 Perno nastro nuovo
- 1 Rullo stampa
- 3 Modulo Testina di stampa

Türkçe

-A-

- 1 Üst Kapak
- 2 Güç LED'i
- 3 Hazır LED'i
- 4 İlerletme Düğmesi
- 5 Açma/Kapatma Düğmesi

-B-

- 1 Ethernet Girişi
- 2 Seri Port (RS-232C)
- 3 USB Tip A
- 4 USB Tip B
- 5 Adaptör Girişi

-C-

- 1 Ribon Toplama tutamaçları
- 2 Etiket çubuğu
- 3 Serbest bırakma Tırnakları

-D-

- 1 Ribon kaynağı tutamaçları
- 2 Kauçuk Silindir
- 3 Termal Yazıcı Kafası

Bahasa Indonesia

-A-

- 1 Penutup Atas
- 2 Power Indikasi
- 3 Ready/Siap Indikasi
- 4 Tombol Maju
- 5 Saklar Power

-B-

- 1 Ethernet
- 2 Serial
- 3 USB Type A
- 4 USB Type B
- 5 Colokan Power

-C-

- 1 Penyanggah Dudukan Ribbon/Pita
- 2 Gantungan Media
- 3 Tuas Pelepas

-D-

- 1 Dudukan Pemasuk Ribbon/Pita
- 2 Platen Penggulung
- 3 Print Head Thermal

④