

LS6RX

Series

Label Printing Scale



Insect-proof Loop Design

Patent Insert proof design in the world, prevent the machine from insect damage;

Keyboard

Durable and reliable capacitive membrane keyboard brings longer life time;

PLU Key

Up to 224 Direct PLU key allow access more PLU by one key, extremely shorten the operation time;

Printing Speed

120mm/s printing speed shorten the time of each printing;

Well-designed PC Application

Well-designed PC application makes the operation much easier and save support cost;



with insect-proof loop design (patent)

UNIQUE FUNCTIONS

- Web65 cloud software, able to achieve cloud scale function (headquarters unitedly manage branch data) via public network (Carrefour mode) or inner network (VPN,YH mode).
- The first company in the world introduced cloud label scale functions.
- Patent insect-proof design, which prevents the defect caused by bugs entering into the machine, ideal for the fresh and seafood dept.
- Patent hot keypad (112*2 keys) design, which can be lifted to put PLU sheet underneath. Fast to operate, easy to clean and water-proof.
- Modularized printer design, easy to replacement and maintenance.
- Capable to choose different label formats and price unit for each PLU, flexible and free to operate.
- Able to generate batch barcode to proceed batch management for the stock and freshness, automatically set scheduling price cut with the freshness, avoiding wasting caused by factitious negligence.
- Based on POS network management concept design (the first one in the world), exclusively offering friendly and fully featured scale software, able to carry out PLU, network, label editing and inventory management. Provide label graph editing software. Free format of label, adjustable label size ranging from 30*30mm to 60*109mm. Optional linerless label printing type(LS6MNX), able to save cost and protect environment well: ① Print 30mm height linerless label at least to save materials. ② Save material and warehouse charges for customers. ③Have more capacity than common label to improve the work efficiency.



EXCELLENT FUNCTIONS

- Adjustable font blackness based on label paper sensitivity and voltage temperature automatic compensation, makes it possible to last the service life of printer head 2 or 3 times longer than general machine.han general machine.
- Able to load a paper roll with 1000pcs labels (60*40mm), whereas other factories only load a paper roll with 800pcs of same kind product.
- Update program without opening case, convenience, fast and never fall behind.
- Able to print the label of different countries' font, shading and commodity name.
- Support tracking & nutrition information printing.
- Easy paper loading, able to replace label paper quickly.
- Support wide area network, able to update date via Ethernet.
- Support account checking, avoiding the loss caused by disoperation, able to realize real-time account checking for the scale data can be uploaded to PC software at all times.
- WIFI optional (LS6XW Label Printing Scale), able to keep the desk clean and meet the needs to add the scale temporary when promotion, avoiding the intricate line connection.
- 90°angle rotating of the barcode printing makes it possible to be used as low cost anti-theft label. Able to prolong printer head service life and save label costs.
- Paper feed in vertical makes it possible to avoid dust and sand grain sticking on the paper roll to damage the printer head.
- Support one barcode multi-products of QR code, save lots of label paper, support to fast cashier and save customer queuing time.

MODEL EXPLICATION

LS6Xxxxx

- 15.6kg/15kg
- 30.15kg/30kg
- feature codes
- N: linerless paper printing module
- W: WIFI

- Empty operator & customer display 48"112
- Four lines, square screen with pole
- R: double lines, square screen with pole
- N: operator & customer display 64"128
- without pole
- B: packing scale
- without pole & customer display



ACLAS www.aclas.com

SPECIFICATION				
Optional types	LS6X			
Display	48*112 with backlight LCD display	64*384 with backlight LCD display	65*132 with backlight LCD display	65*132 LCD
Customer Display	48*112 with backlight LCD display	64*384 with backlight LCD display	65*132 with backlight LCD display	None
Measuring Range	2g/5g,5/10g			
Verofocatopm Interval	Scale	6kg/15kg,15kg/30kg		
Keyboard	112*2 PLU hotkeys, Can be edited and downloaded by PC			
Printing Speed	120mm/s			
PLU Formats	Lf code, PLU Name, article number, Unit Price, Price Unit, Preservation Days, Tare, Barcode, Department, Package Weight, Package Types (Normal, Fixed Weight, Fixed Price, Both Fixed),Message 1,Message 2,Label Type, Discount Hotkeys, Additional Text			
Label Format	EAN 8, EAN 13, EAN 128, Code 39, 2/5 interleaved, Code 128 etc. Logo, uppercase and lowercase letters Self-configured label composing & size, adjustable label length ranging from 30mm to 109mm. Advanced label format: various barcode, PLU name, additional information etc			
Data Storage	RAM:16m,Memory 8 label types 12000 PLU,12000 Messages			
Optional Functions	WIFI,linerless label printing			
Communication Interface	RJ45*1(Ethernet),RS-232*1			
Power Supply	AC 110~240V 50~60Hz			
Working Temperature	0°C~40°C			
Working Humidity	5%~85%R.H.			
Valid Printing Width	56mm			
Paper width (Max.)	61± 0.5mm (the max roll outside diameter is 94mm,if the inner diameter is 28; the max roll outside diameter is 88mm,if the inner diameter is 40)			

PLU MANAGEMENT

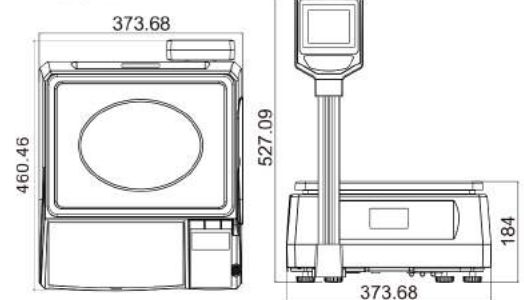
- Able to choose independent barcode format such as 18 code, EAN13, EAN8, LF code, package type information etc, easy to computerized management.
- Two options of PLU: with price or without price (able to input price temporary).
- Support weight of unit set for each PLU. (g, 10g, 50g, 100g, 500g, kg, oz, LSB)
- Support quick search function.

SOFTWARE MANAGEMENT

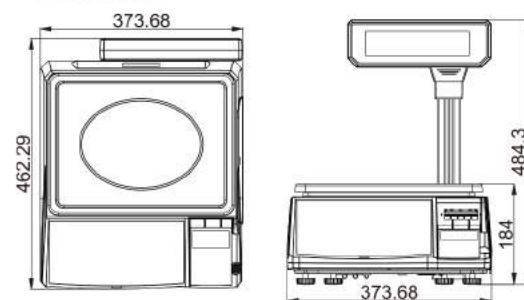
- Offering powerful graph editing windows software, able to print True Type graph label. 1) Customers don't need to pre-print labels as stock, and also reduce the promotion resistance to customers for franchisers. 2) Scanning graph, special effect of font to add the promotion. 3) Transmits data and update program with the aid of telephone line, saving operating expense for customers and franchisers. 4) Establish network to manage the stock, price and article number of sales office.
- Offering PLU Manager Software, able to input PLU name, article number, unit price, packing deadline etc, edit and print the PLU hotkey sheet (112X2 PLU). Easy to learn and convenient to use.
- Support parameter and password set, able to lock and manage the function key of scale to control the operation, convenient and flexible to operate.
- Offering interface technology files, able to connect with POS easily, integrated with the backstage software to realize integration and automation.
- FTP function (exclusive in the world), support GBK, UNICODE, compatible with the software of NT, Unix, and Internet.
- Font selection at will, without additional word stock IC.

DIMENSIONS

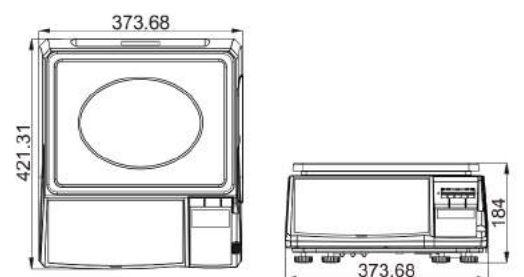
LS6MX



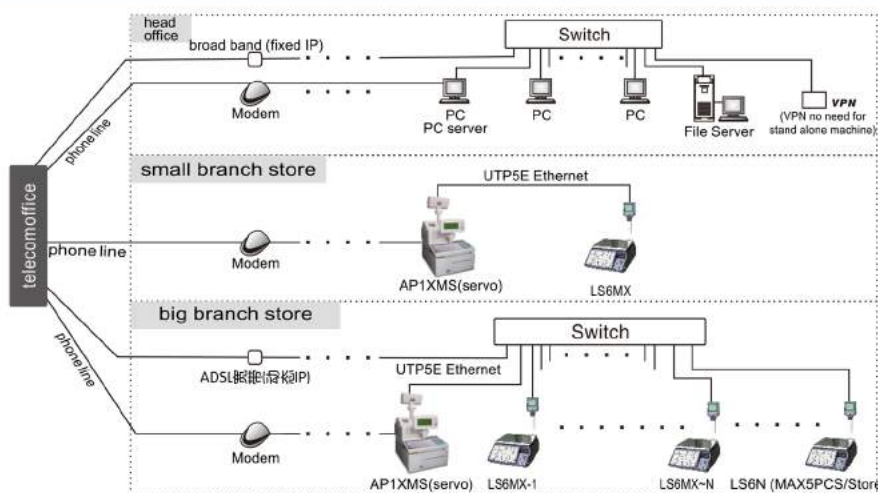
LS6MRX



LS6MNX/LS6MBX



THE CONNECTION DIAGRAM OF BOARD BAND POS CASH REGISTER (PINNACLE EXCLUSIVE)



Inter-Register Communication (M) Sdn. Bhd. [198701004225 (162895-K)]
 34, Jalan Tanjung SD 13/1, Bdr Sri Damansara,
 52200 Kuala Lumpur.
 Tel: (6)03-6272 8000 (8 Line) Fax: (6)03-6272 3210
 general@irc.com.my
 www.irc.com.my

Authorise Resslerer :