

English

-A-

- 1 LCD Display
- 2 READY Indicator
- 3 MEDIA Indicator
- 4 RIBBON Indicator
- 5 FEED Button
- 6 PAUSE Button
- 7 CANCEL Button
- 8 Front Access Door
- 9 Top Access Door

-B-

- 1 Parallel Port
- 2 USB Type B
- 3 PS/2
- 4 RS232 Serial
- 5 Power Switch(O=Off, I=On)
- 6 AC power connector
- 7 Ethernet
- 8 USB Type A
- 9 Wi-Fi
- 10 GPIO

-C-

- 1 Ribbon Pick-up Spindle
- 2 Ribbon Supply Spindle
- 3 Media Supply Spindle
- 4 Feed Slot
- 5 Bracket
- 6 Thermal Print Head

-D-

- 1 Thermal Print Head
- 2 Head Latch
- 3 Paper Sensor Guide
- 4 Paper Roller

繁體中文

-A-

- 1 LCD 液晶螢幕
- 2 確認燈
- 3 紙張狀況燈
- 4 碳帶狀況燈
- 5 送紙鍵
- 6 暫停鍵
- 7 取消鍵
- 8 前側擋板
- 9 上側擋板

-B-

- 1 並列埠
- 2 USB 埠 Type B
- 3 PS/2 鍵盤口
- 4 RS232 串列埠
- 5 電源開關 (O=Off, I=On)
- 6 AC 電源連接器
- 7 乙太網路埠
- 8 USB 埠 Type A
- 9 Wi-Fi
- 10 GPIO

-C-

- 1 碳帶回收軸
- 2 碳帶供應軸
- 3 紙捲供應軸
- 4 進紙口
- 5 鐵片支架
- 6 印字頭

-D-

- 1 印字頭
- 2 門擋扣
- 3 紙張感測器
- 4 滾軸

简体中文

-A-

- 1 液晶显示器
- 2 READY 确认灯
- 3 纸张状态灯
- 4 碳带状态灯
- 5 FEED 进纸键
- 6 暂停按钮
- 7 取消按钮
- 8 前侧挡板
- 9 上侧挡板

-B-

- 1 并口
- 2 USB 口 Type B
- 3 PS/2 键盘口
- 4 RS232 串口
- 5 电源开关 (O=Off, I=On)
- 6 AC 电源线接口
- 7 以太网接口
- 8 USB 口 Type A
- 9 Wi-Fi
- 10 GPIO

-C-

- 1 碳带回收轴
- 2 碳带供应轴
- 3 纸卷供应轴
- 4 喂纸槽
- 5 支架
- 6 打印头

-D-

- 1 打印头
- 2 门挡扣
- 3 纸张感测器
- 4 滚轴

Español

-A-

- 1 Pantalla LCD
- 2 Indicador READY
- 3 Indicador de Papel
- 4 Indicador de Cinta
- 5 Boton Alimentacion
- 6 Boton PAUSE
- 7 Boton Cancelacion
- 8 Acceso de la puerta delantera
- 9 Acceso de la puerta superior

-B-

- 1 Paralelo
- 2 USB Type B
- 3 PS/2
- 4 Serial RS232
- 5 Interruptor de encendido (O = Off, I = On)
- 6 Conector de alimentacion AC
- 7 Ethernet
- 8 USB Type A
- 9 Wi-Fi
- 10 GPIO

-C-

- 1 Eje adopcion ribbon
- 2 Suministro de Ribbon
- 3 Soporte para suministro de papel
- 4 Ranura de Alimentacion
- 5 Soporte
- 6 Cabezal Termica

-D-

- 1 Cabezal Termica
- 2 Cierre
- 3 Guia de Papel
- 4 Rodillo arrastre

Français

-A-

- 1 Affichage LCD
- 2 Indicateur READY
- 3 Cart Indicateur
- 4 Indicateur Ribbon
- 5 Feed Button
- 6 Bouton de PAUSE
- 7 Bouton d'annuler
- 8 Panneau de devant
- 9 Panneau principal

-B-

- 1 Parallele
- 2 USB Type B
- 3 PS/2
- 4 Serial RS232
- 5 Power switch (O = Off, I = On)
- 6 Connecteur de pouvoir (AC)
- 7 Ethernet
- 8 USB Type A
- 9 Wi-Fi
- 10 GPIO

-C-

- 1 Fuseau de Ruban reprise
- 2 Fuseau de Provision de Ruban
- 3 Supporte para suministro de papel
- 4 Support pour provision de papier
- 5 Halterung
- 6 Tête d'Empreinte Thermique

-D-

- 1 Tête d'Empreinte Thermique
- 2 Verrou de tête
- 3 Guide de Capteur de Papier
- 4 Rouleau

Deutsch

-A-

- 1 LCD-Display
- 2 Fertig Diode
- 3 Media Diode
- 4 Karbon Diode
- 5 Vorschub Taste
- 6 Pause Taste
- 7 Abbruch Taste
- 8 Vordere Zugangsklappe
- 9 Obere Zugangsklappe

-B-

- 1 Paralleler Anschluß
- 2 USB Type B
- 3 PS/2
- 4 RS232 seriell
- 5 Netzschalter (O = AUS, I = An)
- 6 Netzteil-Anschluss
- 7 Ethernet
- 8 USB Type A
- 9 Wi-Fi
- 10 GPIO

-C-

- 1 Karbonbandaufnahmespindel
- 2 Mediaspindel Karbonbandabrollspindel
- 3 Etikettenrollenhalter
- 4 Vorschub Slot
- 5 Halterung
- 6 Thermo Duckkopf

-D-

- 1 Thermal Druckkopf
- 2 Sprengring
- 3 Etikettenführung
- 4 Andruckrolle

The user is cautioned that any changes or modifications not recommended by Argox Information Co. Ltd. could result in the loss of the user's authority to operate the equipment. To ensure compliance, the users must use accessories and peripherals approved by Argox Information Co. Ltd.



Supplemental Information: This device complies with the requirement of FCC Part 15 Rules. Operation is subject to the following two Conditions:
 (1) This device may not cause harmful interference and
 (2) this device must accept any interference received, including interference that may cause undesired operation.

INDUSTRY CANADA NOTICE:

This device complies with Industry Canada ICES-003 class A requirements. Cet équipement est conforme a ICES-003 classe A de la norm Industrielle Canadian.



X-Series & G-Series:
Standards: UL 60950-1, 1st Edition, 2007-10-31
CSA C22.2 No. 60950-1-03, 1st Edition, 2006-07

I4-Series:
Standards: UL 60950-1, 2nd Edition, 2014-10-14
CAN/CSA C22.2 No. 60950-1-07, 2nd Edition, 2014-10



X-Series & G-Series:
EMC: EN 55022:2010, class A
EN 55024: 2010

I4-Series:
EMC: EN 55032:2012/AC:2013 Class A
EN 55024:2010



Argox Information Co., Ltd certifies that the following products and/or components are compliant with the current requirements of the European Union Restriction on the use of Hazardous Substances (RoHS) Directive, 2011/65/EU.

CAUTION: RISK OF EXPLOSION IF BATTERY IS REPLACED BY AN INCORRECT TYPE. DISPOSE OF USED BATTERIES ACCORDING TO THE INSTRUCTIONS.

ATTENTION. RISQUE D'EXPLOSION SI LA BATTERIE EST REMPLACÉE PAR UN MODELE INCORRECT. JETEZ LES BATTERIES USAGÉES SELON LES INSTRUCTIONS S'Y REFERANT.



www.argo.com

Argox Information Co., Ltd

7F., No.126, Ln.235, Baoqiao Rd., Xindian Dist.,
New Taipei City 231, Taiwan (R.O.C.)
Tel: +886-2-8912-1121 Fax: +886-2-8912-1124

Copyright © 2016. Argox Information Co.Ltd., All Rights Reserved.

Português

-A-

- 1 Display LCD
- 2 Indicador preparado
- 3 Indicador de papel
- 4 Indicador de Ribbon
- 5 Botão de Feed
- 6 Botão de pausa
- 7 Botão de cancelar
- 8 Porta de acesso fronteiro
- 9 Porta de acesso acima

-B-

- 1 Paralela
- 2 USB Type B
- 3 PS/2
- 4 Serial RS232
- 5 Interruptor (O= Desligar, I = Ligar)
- 6 Corrente de Adaptador.
- 7 Ethernet
- 8 USB Type A
- 9 Wi-Fi
- 10 GPIO

-C-

- 1 Enrolador de Filme
- 2 Suporte do rolo de filme
- 3 Suporte do rolo de papel
- 4 Abertura de entrada de papel
- 5 Colchete
- 6 Cabeça de impressão

-D-

- 1 Cabeça de impressão
- 2 Trinco
- 3 Guia do papel
- 4 Rolo de tração

Italia

-A-

- 1 Display LCD
- 2 Indicatore READY
- 3 Indicatore CARTA
- 4 Indicatore RIBBON
- 5 Pulsante salto etichetta
- 6 Pulsante PAUSA
- 7 Pulsante CANCELLA
- 8 Pannello accesso frontale
- 9 Pannello accesso principale

-B-

- 1 Porta Parallela
- 2 USB Type B
- 3 PS/2
- 4 Seriale RS232
- 5 Interruttore accensione (O = Off, I = On)
- 6 Connettore di alimentazione AC
- 7 Ethernet
- 8 USB Type A
- 9 Wi-Fi
- 10 GPIO

-C-

- 1 Supporto avvolgimento nastro carbografico
- 2 Supporto svolgimento nastro carbografico
- 3 Supporto rotolo carta
- 4 Sportello posteriore
- 5 Staffa laterale
- 6 Testina Termica

-D-

- 1 Testina Termica
- 2 Chiusura Testina
- 3 Sensore Guida Carta
- 4 Rullo stampa

Türkçe

-A-

- 1 LCD ekran
- 2 Hazır göstergesi
- 3 Etiket Göstergesi
- 4 Ribon göstergesi
- 5 Besleme düğmesi
- 6 Mola Düğmesi
- 7 iptal Düğmesi
- 8 Ön giriş kapağı
- 9 Üst giriş kapağı

-B-

- 1 Paralel
- 2 USB girişi B tipi
- 3 Klavye girişi
- 4 Seriale RS232
- 5 Açma/Kapatma Düğmesi
- 6 Adaptör Girişi
- 7 Ethernet Girişi
- 8 USB girişi A tipi
- 9 Wi-Fi
- 10 GPIO

-C-

- 1 Ribbon toplama tutamacı
- 2 Ribon kaynağı tutamacı
- 3 Etiket kaynak cubuğu
- 4 Besleme deliği
- 5 Destek
- 6 Termal Kafa

-D-

- 1 Termal Kafa
- 2 Kafa mandalı
- 3 Etiket sensor tutamacı
- 4 Kaçuk silindir

Russian

-A-

- 1 LCD дисплей
- 2 Индикатор готовности к работе
- 3 Индикатор этикет-ленты
- 4 Индикатор риббона
- 5 Кнопка подачи ленты
- 6 Кнопка "Пауза"
- 7 Кнопка "Отмена"
- 8 Передняя крышка
- 9 Верхняя крышка

-B-

- 1 Параллельный (LPT) порт
- 2 Порт USB типа B
- 3 Порт PS/2
- 4 Порт RS-232
- 5 Кнопка включения (O=выключено, I=включено)
- 6 Разъем подключения электропитания (сетевое кабеля)
- 7 Порт Ethernet
- 8 Порт USB типа A
- 9 Wi-Fi
- 10 GPIO

-C-

- 1 Ось приемной катушки риббона
- 2 Ось катушки подачи риббона
- 3 Ось катушки подачи этикетленты
- 4 Лоток подачи ленты
- 5 Схоба подающего (печатающего) механизма
- 6 Печатающая головка

-D-

- 1 Печатающая головка
- 2 Защелка печатающего механизма
- 3 Направляющая датчика этикетки
- 4 Прижимной вал

Bahasa Indonesia

-A-

- 1 Layer LCD
- 2 Ready/Siap Indikasi
- 3 Indikasi Media
- 4 Indikasi Ribbon/Pita
- 5 Tombol Maju
- 6 Tombol Tunda
- 7 Tombol Batal
- 8 Depan Pintu Akses
- 9 Atas Pintu Akses

-B-

- 1 Port Paralel
- 2 USB Type B
- 3 PS/2
- 4 Serial
- 5 Saklar Power (O=Mati, I=Hidup)
- 6 Konektor Power AC
- 7 Ethernet
- 8 USB Type A
- 9 Wi-Fi
- 10 GPIO

-C-

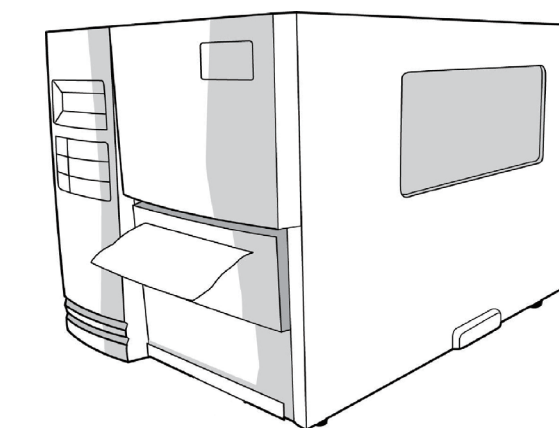
- 1 Kumparan Pengangkat Pita/Ribbon
- 2 Kumparan Pemasuk Pita/Ribon
- 3 Kumparan Pemasuk Media/Bahan
- 4 Slot Maju
- 5 Braket
- 6 Print Head Thermal

-D-

- 1 Print Head Thermal
- 2 Kepala Kait
- 3 Panduan Sensor Kertas
- 4 Penggulung Kertas

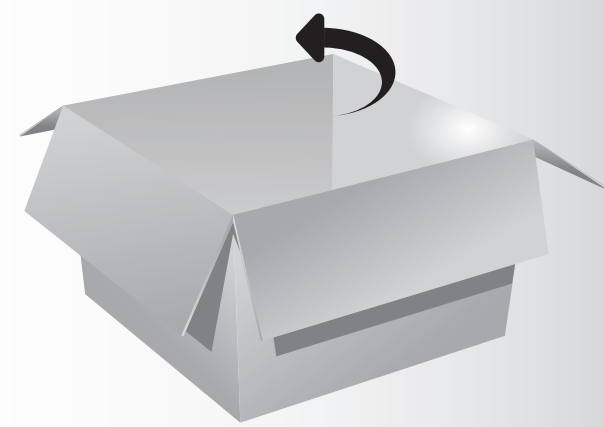
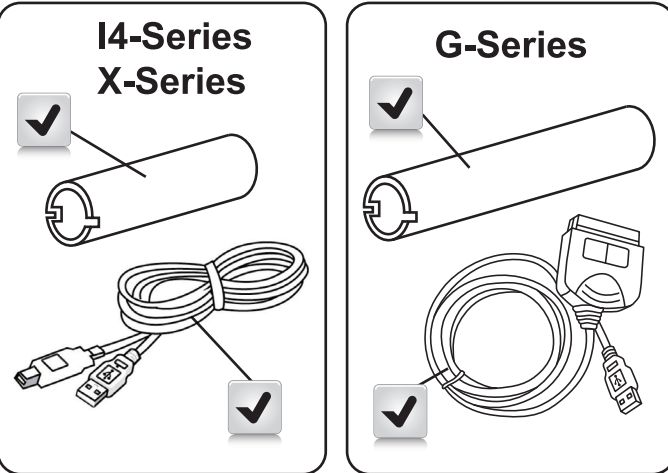
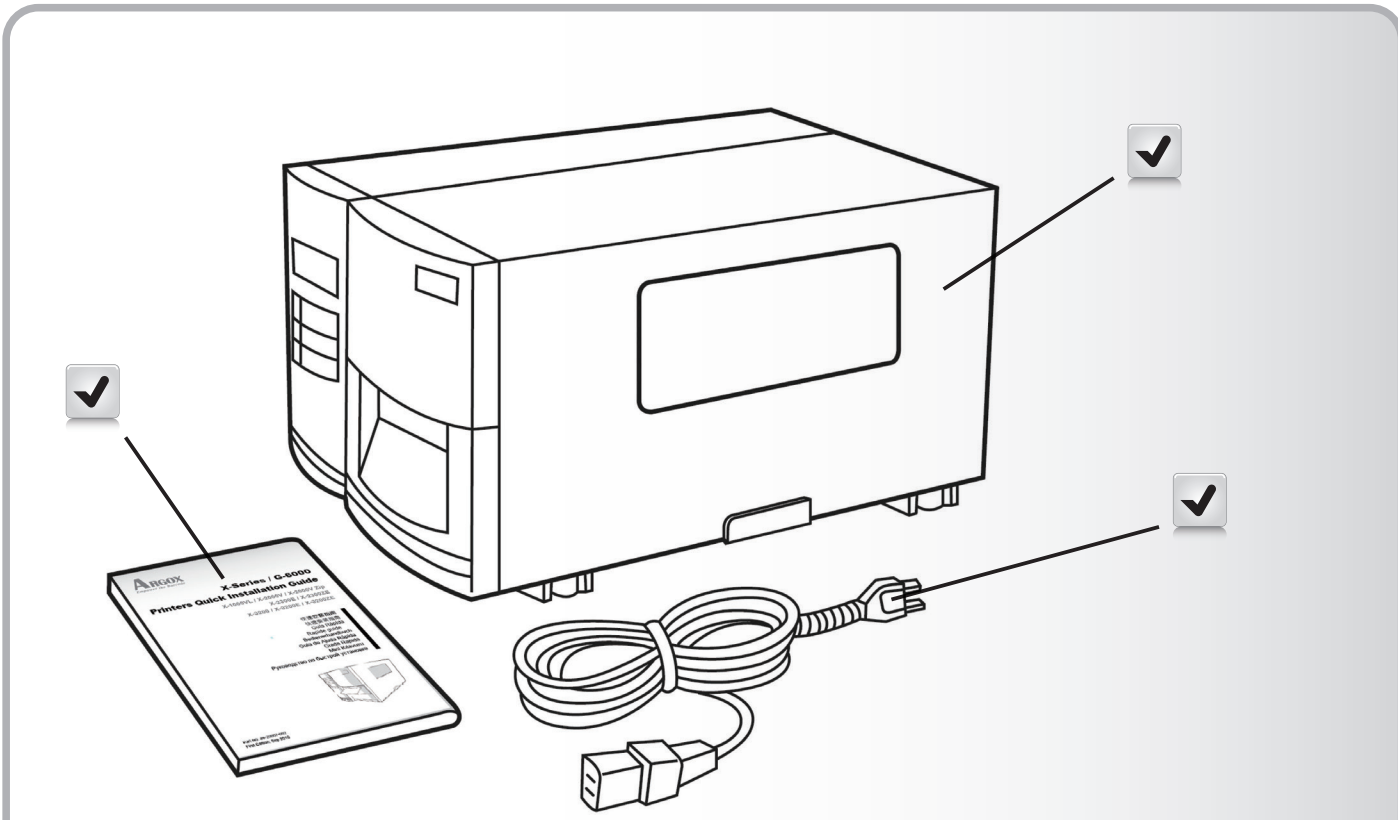


快速安裝指南
快速安裝指南
Guía Rápida
Rapide guide
Bedienerhandbuch
Guia de Ajuda Rápida
Guida Rapida
Mini Kılavuzu
Руководство по быстрой установке
Pedoman Penginstalan Cara Cepat

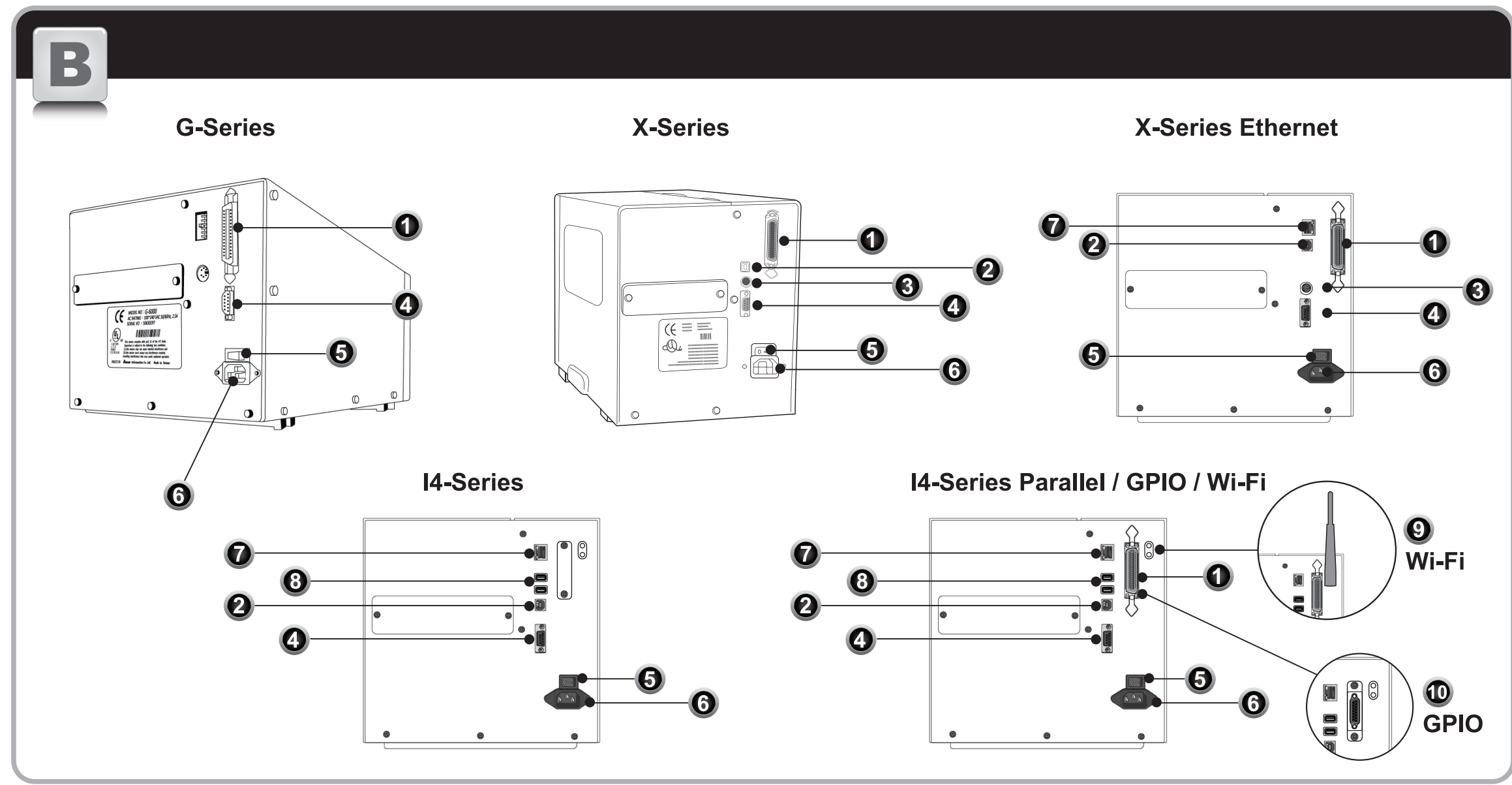
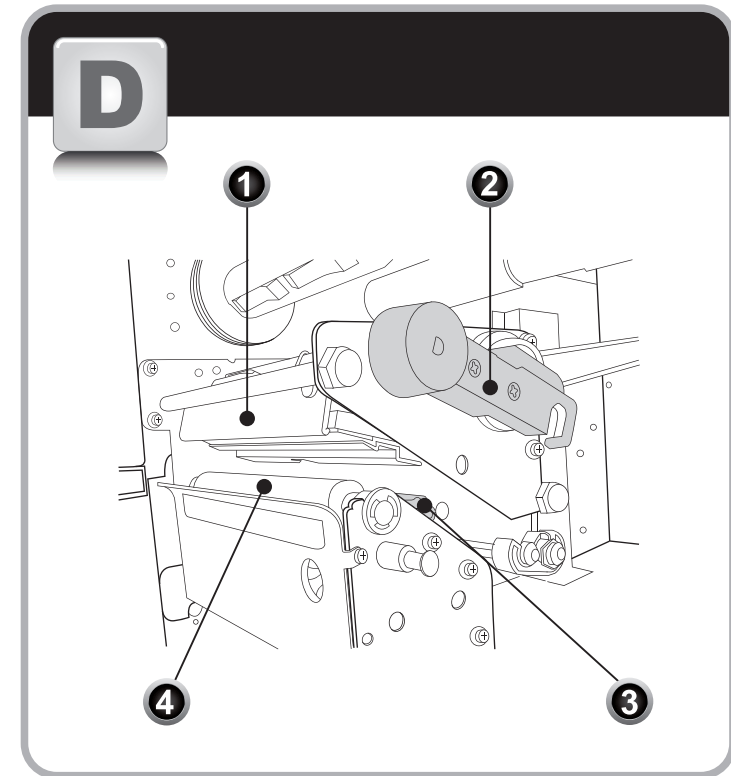
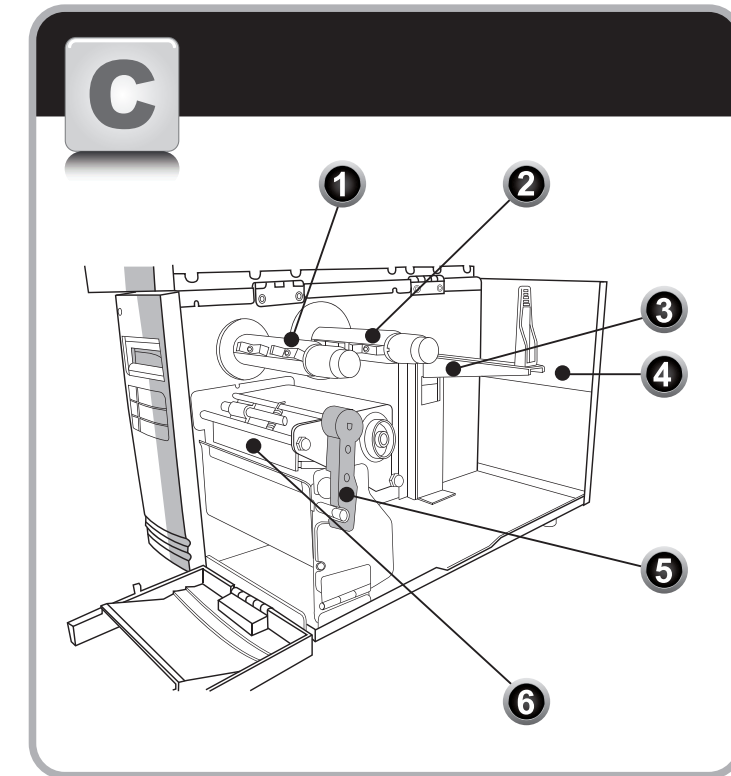
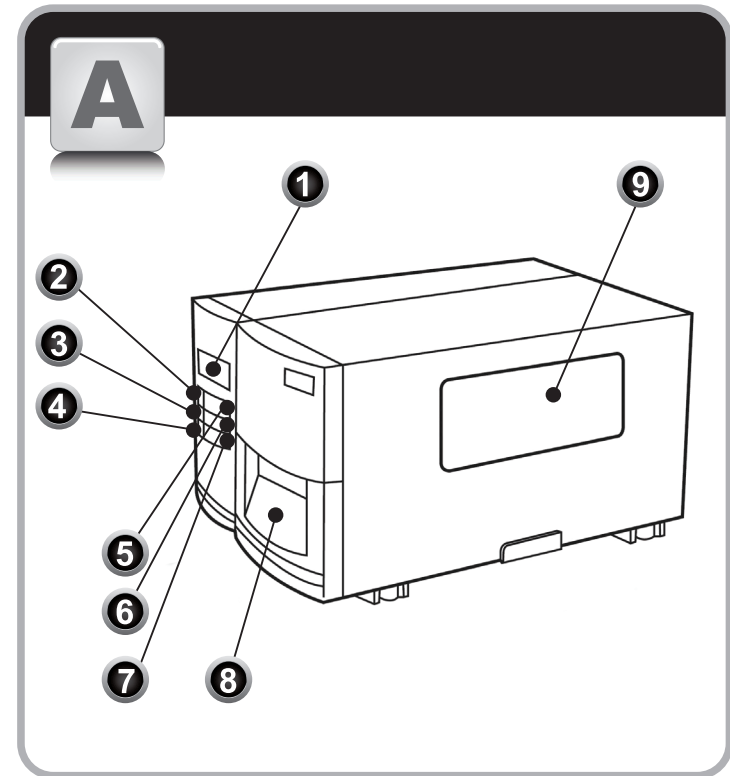


Part No: 49-20007-007

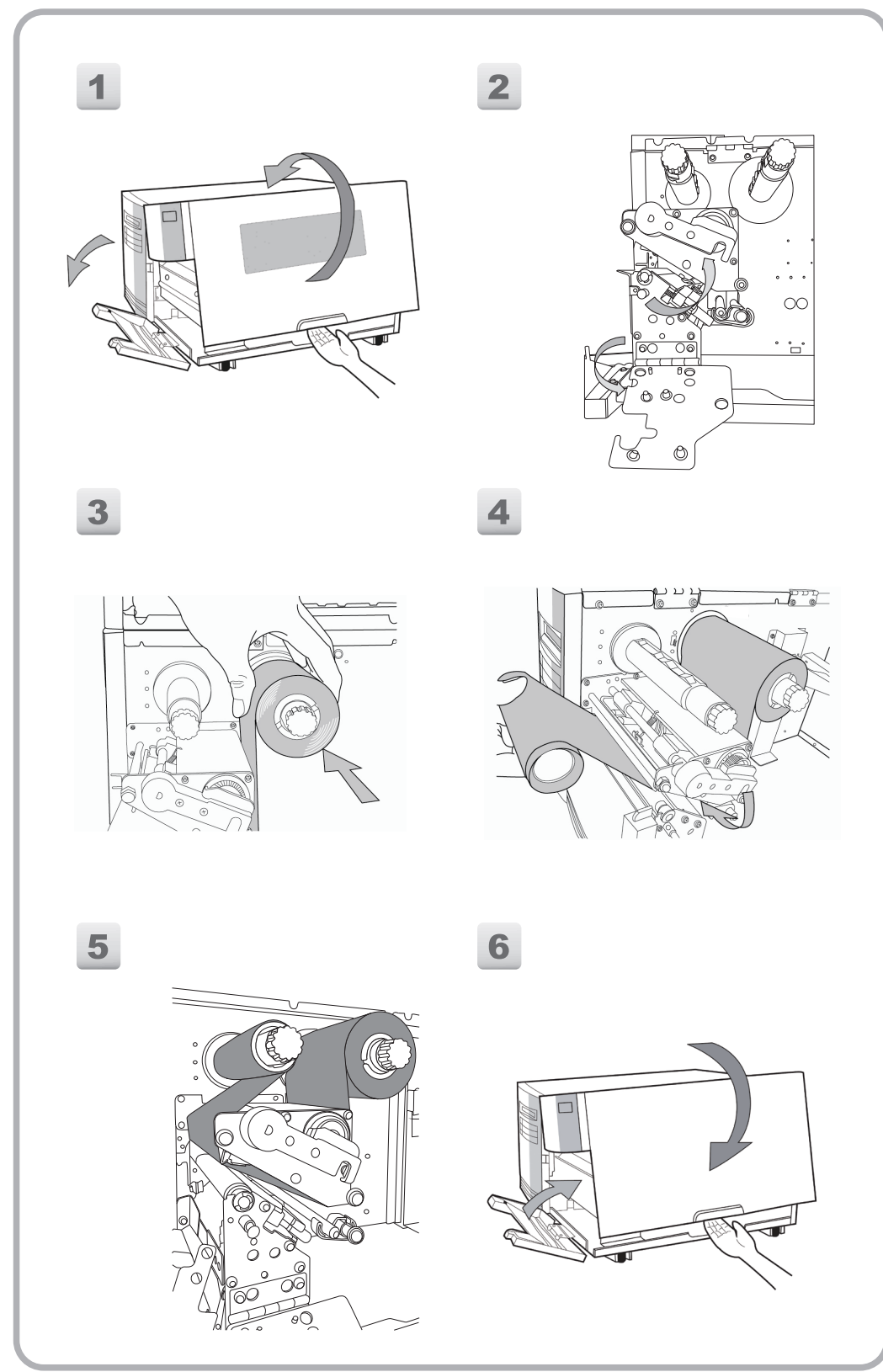
Revision Date: Jul. 2016



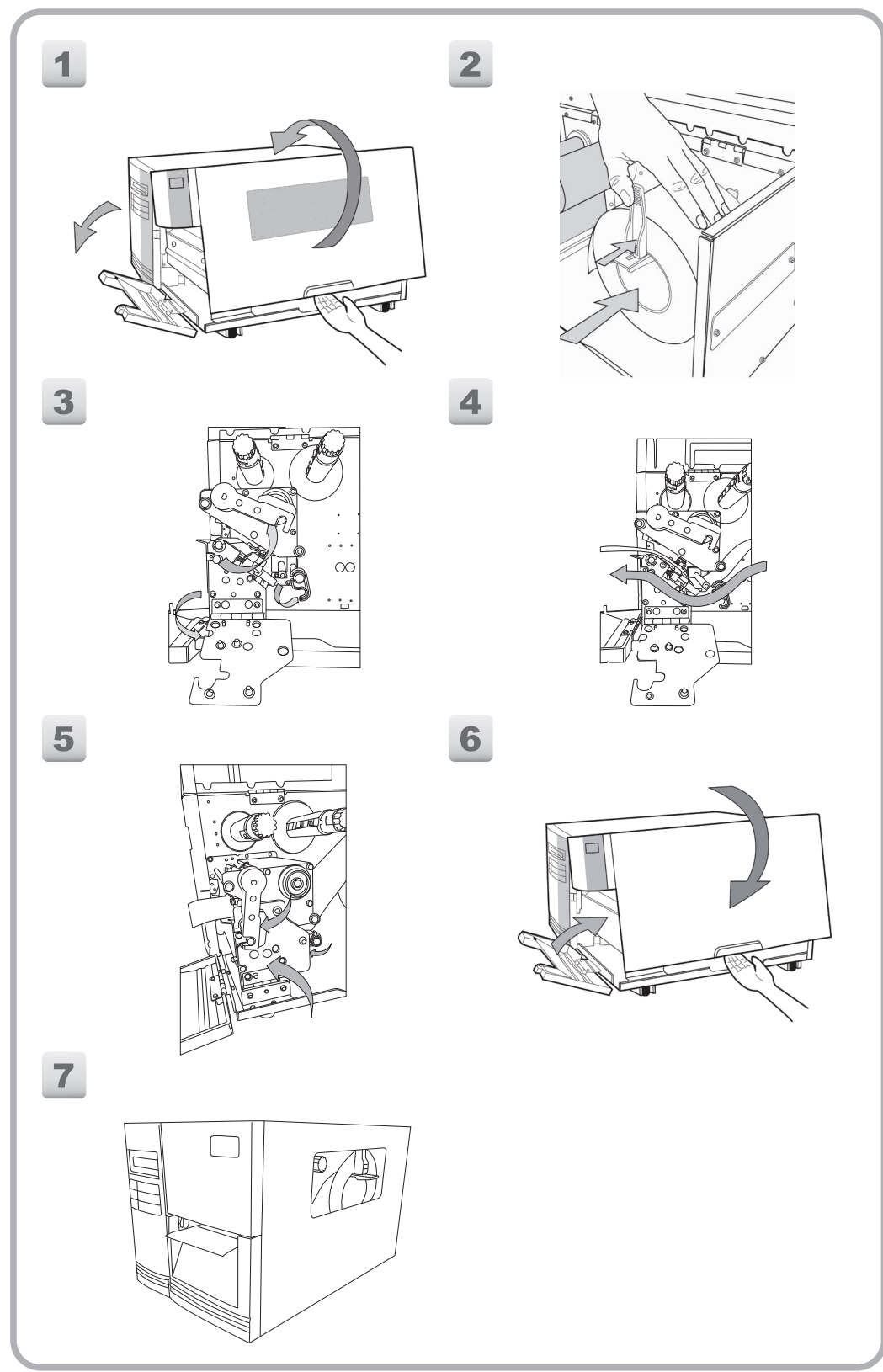
①



②



③



④

Loading Ribbon
 碳帶安裝
 碳帶安裝
 Instalación de cinta
 Chargement de ruban
 Laden des druckbandes
 Instalação de ribbon
 Caricamento nastro
 Ribon takma
 Установка риббона
 Pasang Pita/Ribbon

Loading Media
 紙捲安裝
 紙卷安裝
 Instalación de papel
 Chargement de papier
 Laden des labelmaterials
 Instalação de etiquetas
 Caricamento carta
 Baskı malzemesini takma
 Установка этикет-ленты
 Pasang Bahan/Media