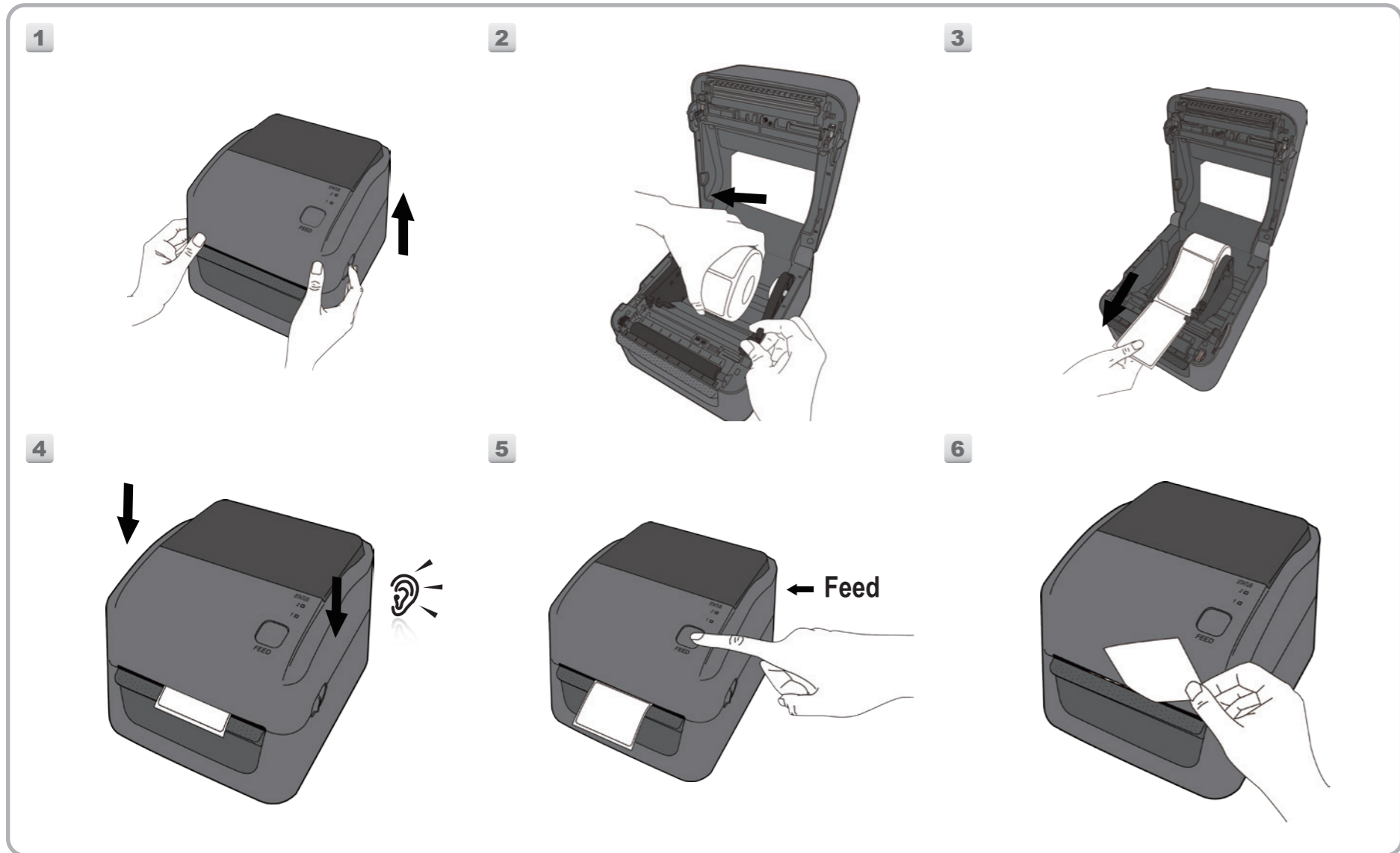


Loading Media  
紙捲安裝  
紙卷安裝  
Instalación de papel  
Chargement de papier  
Laden des Labelmaterials  
Instalação de etiquetas  
Caricamento carta  
Lastning av papper  
Pasang Bahan/Media  
Papier laden  
Zaladunek papieru  
Etiket takma  
용지 설치 방법



The user is cautioned that any changes or modifications not recommended by Argox Information Co. Ltd. could result in the loss of the user's authority to operate the equipment. To ensure compliance, the users must use accessories and peripherals approved by Argox Information Co. Ltd.



Supplemental Information: This device complies with the requirement of FCC Part 15 Rules. Operation is subject to the following two Conditions:  
(1) This device may not cause harmful interference and  
(2) this device must accept any interference received, including interference that may cause undesired operation.

**INDUSTRY CANADA NOTICE:**

This device complies with Industry Canada ICES-003 class A requirements.  
Cet équipement est conforme a ICES-003 classe A de la norm Industrielle Canadian.



IEC 60950-1: 2005+A1: 2009  
EN 60950-1: 2006+A11: 2009+A1: 2010+A12: 2011



EMC: EN 55032:2012/AC:2013  
EN 55024:2010 + A1:2015



Argox Information Co., Ltd certifies that the following products and/or components are compliant with the current requirements of the European Union Restrictive on the use of Hazardous Substances (RoHS) Directive, 2011/65/EU.

警告使用者:  
這是甲類的資訊產品，在居住的環境中使用時，可能會造成射頻干擾，在這種情況下，使用者會被要求採取某些適當的對策。

CAUTION: RISK OF EXPLOSION IF BATTERY IS REPLACED BY AN INCORRECT TYPE. DISPOSE OF USED BATTERIES ACCORDING TO THE INSTRUCTIONS.

ATTENTION: RISQUE D'EXPLOSION SI LA BATTERIE EST REMPLACÉE PAR UN MODELE INCORRECT. JETEZ LES BATTERIES USAGÉES SELON LES INSTRUCTIONS SY REFERANT.

**Argox Information Co., Ltd.**  
7F., No.126, Ln.235, Baoqiao Rd., Xindian Dist.,  
New Taipei City 231, Taiwan (R.O.C.)  
Tel: +886-2-8912-1121 Fax: +886-2-8912-1124  
<https://www.argox.com>  
<https://www.youtube.com/user/argoxmkt>  
email: [service@argox.com](mailto:service@argox.com)  
Copyright © 2019. Argox Information Co.Ltd., All Rights Reserved.

單元 Unit	限制物質及其化學符號 Restricted substances and its chemical symbols					
	鉛Lead (Pb)	汞Mercury (Hg)	鎘Cadmium (Cd)	六價鉻Hexavalent chromium (Cr <sup>6+</sup> )	多溴聯苯Polybrominated biphenyls (PBBs)	多溴二苯醚Polybrominated diphenyl ethers (PBDEs)
印刷電路板組件	—	○	○	○	○	○
線材	○	○	○	○	○	○
塑膠	—	○	○	○	○	○
印字機組件	—	○	○	○	○	○

備考 1: "超出0.1 wt%" 及 "超出0.01 wt%" 係指限制物質之百分比含量超出百分比含量基準值。  
Note 1: "Exceeding 0.1 wt%" and "exceeding 0.01 wt%" indicate that the percentage content of the restricted substance exceeds the reference percentage value of presence condition.  
備考 2: "○" 係指該項限制物質之百分比含量未超出百分比含量基準值。  
Note 2: "○" indicates that the percentage content of the restricted substance does not exceed the percentage of reference value of presence.  
備考 3: "—" 係指該項限制物質為豁免項目。  
Note 3: The "-" indicates that the restricted substance corresponds to the exemption.

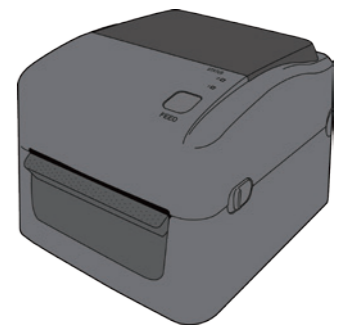
D4-200, D4-250, D4-280, D4-300, D4-350, D4-380  
D4-200plus, D4-250plus, D4-280plus, D4-300plus, D4-350plus, D4-380plus



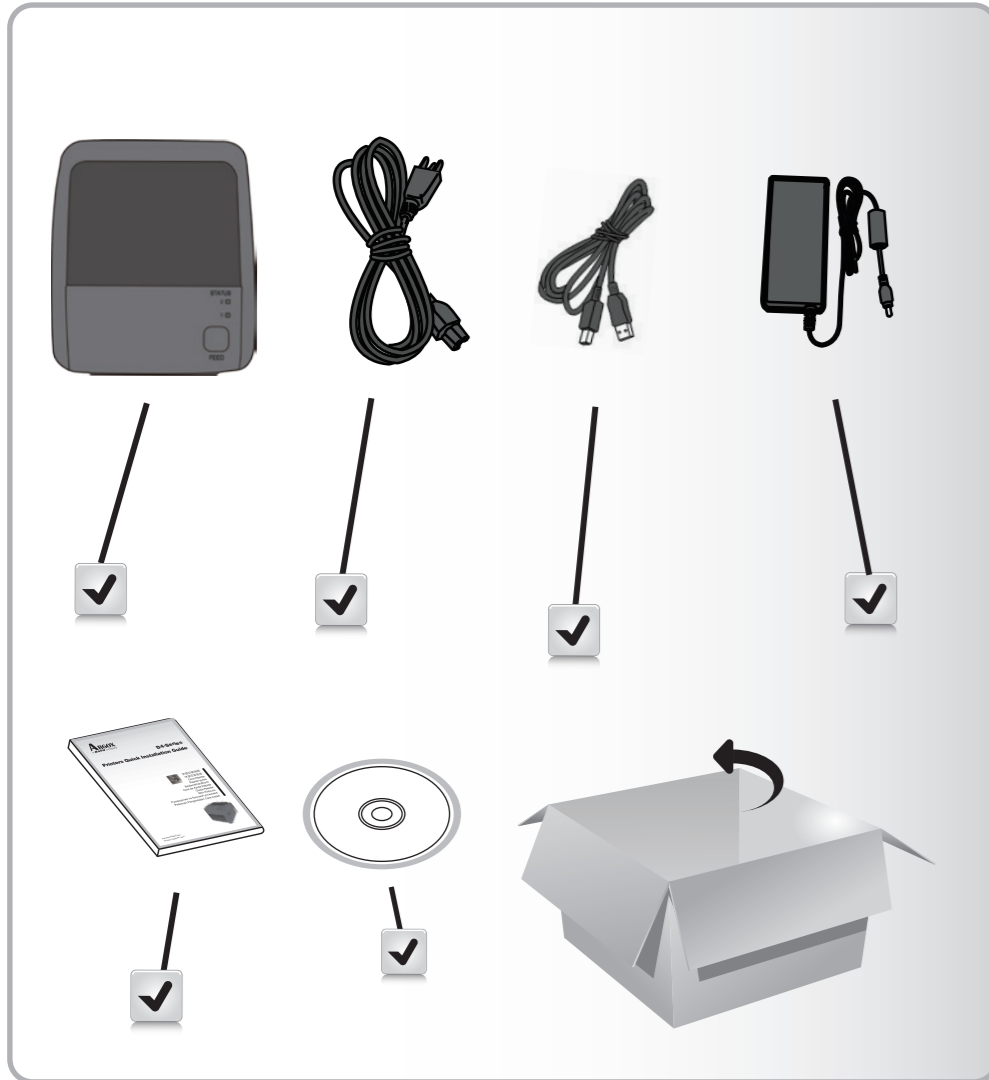
# D4-Series Printers Quick Installation Guide



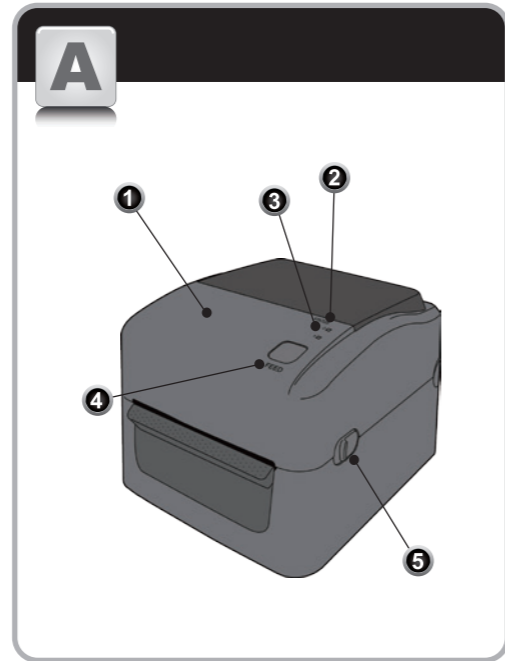
快速安裝指南  
快速安装指南  
Guía Rápida  
Rapide Guide  
Bedienerhandbuch  
Guia de Ajuda Rápida  
Guida Rapida  
Snabb Installationsguide  
Snelle Installatiegids  
Przewodnik Szybkiej Instalacji  
Pedoman Penginstalan Cara Cepat  
Hızlı Kurulum Kılavuzu  
빠른 설치 안내서



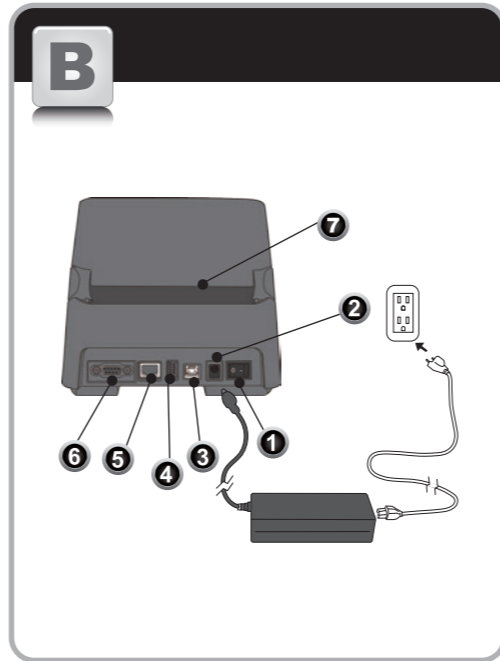
Part No: 49-D4201-003  
Revision Date: Apr. 2019



1



2



### English

- A -**
- 1 Top Cover
  - 2 Indicator 2
  - 3 Indicator 1
  - 4 Feed Button
  - 5 Cover Open Latch

- B -**
- 1 Power Switch
  - 2 Power Jack
  - 3 USB Type B
  - 4 USB Type A
  - 5 Ethernet
  - 6 Serial Port (RS-232C)
  - 7 Paper Slot

- C -**
- 1 Thumbscrew
  - 2 Thermal Printhead
  - 3 Transmissive Sensor
  - 4 Core Holder
  - 5 Media Roll Holders
  - 6 Media Guides
  - 7 Reflective Sensor
  - 8 Platen Roller

### Español

- A -**
- 1 Cubierta Superior
  - 2 Indicador 2
  - 3 Indicador 1
  - 4 Botón FEED (Alimentación)
  - 5 Pestillo Tapa abierta

- B -**
- 1 Interruptor de Corriente
  - 2 Conector de alimentación
  - 3 USB Tipo A
  - 4 USB Tipo B
  - 5 Ethernet
  - 6 Serie RS232
  - 7 La ranura de papel

- C -**
- 1 Tornillo de Mano
  - 2 Cabezal de impresión
  - 3 Sensor transmisor
  - 4 Soporte de eje interior
  - 5 Soporte de rollo de papel
  - 6 Guías de papel
  - 7 Sensor reflexivo
  - 8 Rodillo de platina

### Português

- A -**
- 1 Tampa Superior
  - 2 Indicador 2
  - 3 Indicador 1
  - 4 Botão Feed (alimentação)
  - 5 Trava para abrir a tampa

- B -**
- 1 Interruptor Ligar/ Desligar
  - 2 Conector de Energia
  - 3 USB Tipo A
  - 4 USB Tipo B
  - 5 Ethernet
  - 6 Serial RS232
  - 7 Abertura de papel

- C -**
- 1 Parafuso
  - 2 Cabeça de Impressão
  - 3 Sensor Transmissível
  - 4 Suporte do Tubete
  - 5 Suporte do Rolo de Papel
  - 6 Guia do papel
  - 7 Sensor reflexivo
  - 8 Rolete

### Deutsch

- A -**
- 1 Deckel
  - 2 Indikator 2
  - 3 Indikator 1
  - 4 FEED-Taste
  - 5 Gehäuse Verriegelung

- B -**
- 1 Netzschalter
  - 2 Stromanschluß
  - 3 USB Typ B
  - 4 USB Typ A
  - 5 Ethernet
  - 6 RS232 seriell
  - 7 Material Zuführung

- C -**
- 1 Schraube
  - 2 Druckkopf
  - 3 Durchlicht Sensor
  - 4 Kernaufnahme
  - 5 Etikettenrollenhalter
  - 6 Etikettenführung
  - 7 Sensor reflexiv
  - 8 Andruckrolle

### Français

- A -**
- 1 Capot supérieur
  - 2 Indicateur 2
  - 3 Indicateur 1
  - 4 Bouton Avance papier
  - 5 outon Ouverture capot

- B -**
- 1 Interrupteur Alimentation
  - 2 Connecteur d'alimentation
  - 3 USB Type B
  - 4 USB Type A
  - 5 Ethernet
  - 6 Port Série RS232
  - 7 Ouverture Etiquettes paravent

- C -**
- 1 Vis moletée
  - 2 Tête d'impression
  - 3 Cellule transmissive
  - 4 Support mandrin étiquettes
  - 5 Support rouleau étiquettes
  - 6 Guide papier
  - 7 Réflecteur
  - 8 Rouleau entraînement

### 繁體中文

- A -**
- 1 上蓋
  - 2 指示燈 2
  - 3 指示燈 1
  - 4 送紙按鈕
  - 5 上蓋開關

- B -**
- 1 電源開關
  - 2 電源插孔
  - 3 USB Type B
  - 4 USB Type A
  - 5 乙太網路埠
  - 6 RS232 串列埠
  - 7 進紙口

- C -**
- 1 螺絲
  - 2 印字頭橫組
  - 3 穿透式感測器
  - 4 軸心
  - 5 掛紙架
  - 6 導紙器
  - 7 反射式感測器
  - 8 壓紙滾軸

### 简体中文

- A -**
- 1 上盖
  - 2 指示灯 2
  - 3 指示灯 1
  - 4 送纸按钮
  - 5 上盖开关

- B -**
- 1 电源开关
  - 2 电源连接器
  - 3 USB Type B
  - 4 USB Type A
  - 5 以太网端口
  - 6 RS232 串口
  - 7 进纸槽

- C -**
- 1 螺钉
  - 2 打印头模组
  - 3 穿透式传感器
  - 4 轴心
  - 5 挂纸架
  - 6 标籤引导器
  - 7 反射式传感器
  - 8 压纸滚轴

### Svensk

- A -**
- 1 Övre kåpa
  - 2 Indikator 2
  - 3 Indikator 1
  - 4 Matningsknapp
  - 5 Lucköppningsspår

- B -**
- 1 Strömbrytare
  - 2 Grenuttag
  - 3 USB Type B
  - 4 USB Type A
  - 5 Ethernet
  - 6 Seriel port (RS-232)
  - 7 Pappersöppning

- C -**
- 1 Letterskruv
  - 2 Termiskt skrivhuvud
  - 3 Transmissiv sensor
  - 4 Hållare centrumstång
  - 5 Mediahållare
  - 6 Mediaguider
  - 7 Reflektionssensor
  - 8 Skrivvals

### 한국어

- A -**
- 1 프린터 상단 커버
  - 2 LED 2
  - 3 LED 1
  - 4 급지 버튼 (Feed)
  - 5 커버 오픈 레버

- B -**
- 1 전원 스위치
  - 2 전원 잭
  - 3 USB 타입 B
  - 4 USB 타입 A
  - 5 이더넷 (Ethernet)
  - 6 직렬 포트 (RS-232)
  - 7 용지 슬롯

- C -**
- 1 나사
  - 2 열 전사 프린트 헤드
  - 3 투과형 센서 (Gap)
  - 4 지관 홀더
  - 5 미디어 홀더
  - 6 미디어 가이드
  - 7 반사형 센서 (I-mark)
  - 8 플래튼 롤러

### Nederlands

- A -**
- 1 Top Cover
  - 2 Indicator 2
  - 3 Indicator 1
  - 4 Feed Button
  - 5 Kap opener

- B -**
- 1 Stroomschakelaar
  - 2 Gniazdo zasilania
  - 3 USB typ B
  - 4 USB typ A
  - 5 Ethernet
  - 6 Seriele poort (RS-232)
  - 7 Papier opening

- C -**
- 1 Duimschroef
  - 2 Thermische printkop
  - 3 Tussenruimte sensor
  - 4 Kern houder
  - 5 Uchwył mediów
  - 6 Media Geleiders
  - 7 Czujnik odbijający
  - 8 Drukrol

### Polskie

- A -**
- 1 Górna obudowa
  - 2 Wskaźnik 2
  - 3 Wskaźnik 1
  - 4 Przycisk podawania
  - 5 Dźwignia otwierania pokryw

- B -**
- 1 Przycisk zasilania
  - 2 Gniazdo zasilania
  - 3 USB typ B
  - 4 USB typ A
  - 5 Ethernet
  - 6 Port szeregowy (RS-232)
  - 7 Wlot papieru

- C -**
- 1 Śruba
  - 2 Głowica termiczna
  - 3 Czujnik przepuszczający
  - 4 Uchwył rdzenia
  - 5 Uchwył mediów
  - 6 Przewodniki multimedialne
  - 7 Czujnik odbijający
  - 8 Walek dociskowy

### Italia

- A -**
- 1 Coperchio
  - 2 LED 2
  - 3 LED 1
  - 4 Pulsante avanzamento
  - 5 Fermo Apertura Coperchio

- B -**
- 1 Interruttore accensione
  - 2 Connettore Alimentazione
  - 3 USB tipo B
  - 4 USB tipo A
  - 5 Ethernet
  - 6 Serie RS232
  - 7 Passaggio Carta

- C -**
- 1 Regolatore Anima Nastro
  - 2 Modulo Testina di stampa
  - 3 Sensore Trasmissivo (GAP)
  - 4 Supporto Anima
  - 5 Supporto rotolo
  - 6 Guida Carta
  - 7 Sensore Riflessivo (Tacca)
  - 8 Rullo stampa

### Türkçe

- A -**
- 1 Üst Kapak
  - 2 Gösterge
  - 3 Gösterge
  - 4 İlerleme Düğmesi
  - 5 Kapak Açma Mandalı

- B -**
- 1 Güç Düğmesi
  - 2 Güç Girişi
  - 3 USB Tip B
  - 4 USB Tip A
  - 5 Ethernet Port
  - 6 Seri Port (RS-232C)
  - 7 Kağıt Yuvası

- C -**
- 1 Kelebek Vida
  - 2 Termal Baskı Kafası
  - 3 Geçirgen Sensör
  - 4 Etiket Tutucu
  - 5 Etiket Tutamacı
  - 6 Sıkıştırma Mandalları
  - 7 Yansıtıcı Sensör
  - 8 Kauçuk Silindir

### Bahasa Indonesia

- A -**
- 1 Penutup Atas
  - 2 Indikasi 2
  - 3 Indikasi 1
  - 4 Tombol Maju
  - 5 Pengunci Cover Atas

- B -**
- 1 Saklar Power
  - 2 Colokan Power
  - 3 USB Type B
  - 4 USB Type A
  - 5 Ethernet
  - 6 Serial
  - 7 Lubang Media Label

- C -**
- 1 Baut Penyangga Label
  - 2 Printhead Thermal
  - 3 Sensor Gap
  - 4 Pegangan Core
  - 5 Pegangan Roll Media
  - 6 Panduan Media
  - 7 Sensor Black Mark
  - 8 Platen Penggulung

4