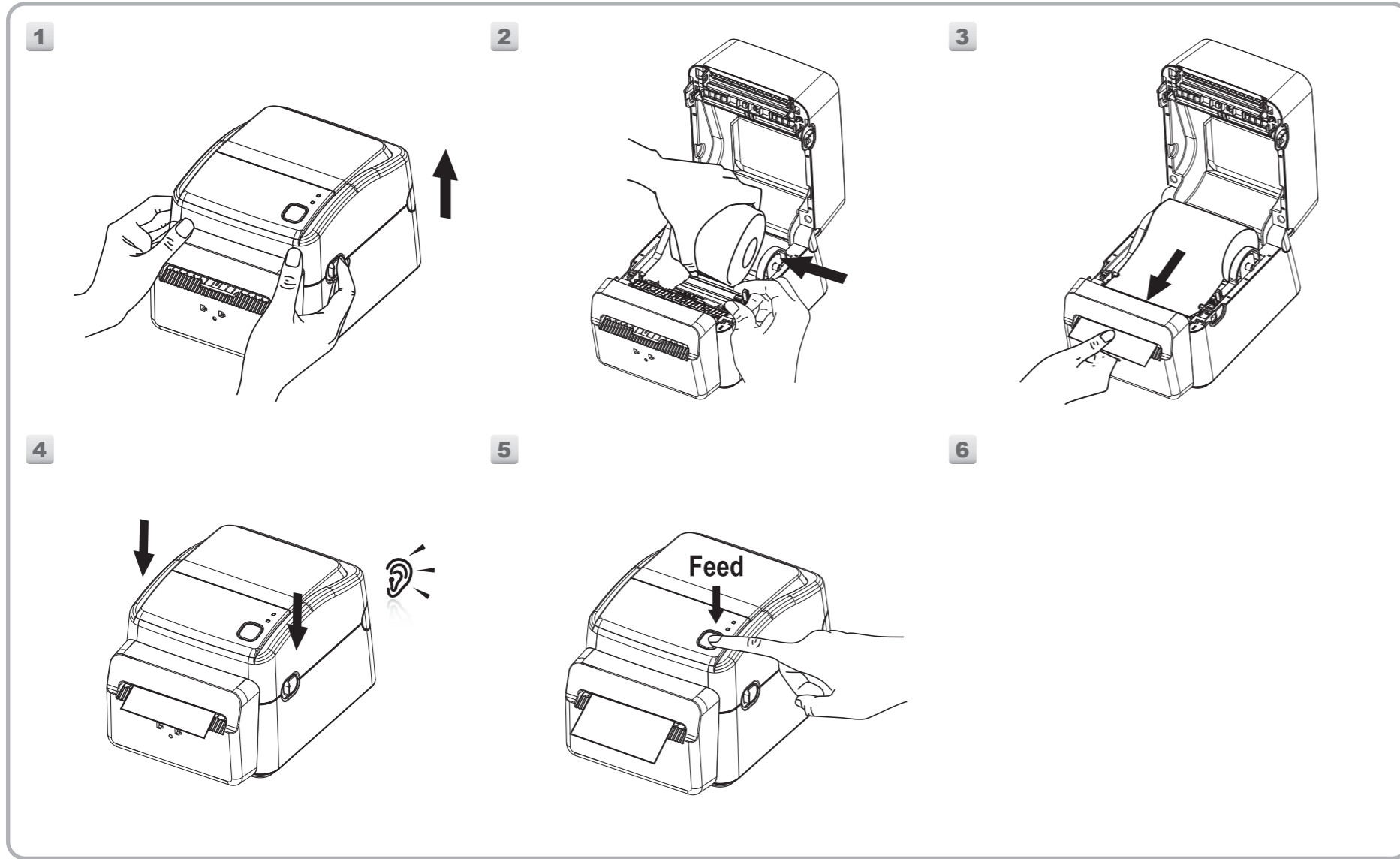


Loading Media  
 紙捲安裝  
 紙卷安裝  
 Instalación de papel  
 Chargement de papier  
 Laden des labelmaterials  
 Instalação de etiquetas  
 Caricamento carta  
 Lastning av papper  
 Pasang Bahan/Media  
 Papier laden  
 Zaladunek papieru  
 Etiket takma  
 용지 설치 방법



The user is cautioned that any changes or modifications not recommended by Argox Information Co. Ltd. could result in the loss of the user's authority to operate the equipment. To ensure compliance, the users must use accessories and peripherals approved by Argox Information Co. Ltd.



Supplemental Information: This device complies with the requirement of FCC Part 15 Rules. Operation is subject to the following two Conditions:  
 (1) This device may not cause harmful interference and  
 (2) this device must accept any interference received, including interference that may cause undesired operation.

**INDUSTRY CANADA NOTICE:**

This device complies with Industry Canada ICES-003 class A requirements.  
 Cet équipement est conforme a ICES-003 classe A de la norm Industrielle Canadian.



IEC 60950-1: 2005+A1: 2009  
 EN 60950-1: 2006+A11: 2009+A1: 2010+A12: 2011



EMC: EN 55032:2012/AC:2013  
 EN 55024:2010 + A1:2015



Argox Information Co., Ltd certifies that the following products and/or components are compliant with the current requirements of the European Union Restrictive on the use of Hazardous Substances (RoHS) Directive, 2011/65/EU.

警告使用者：  
 這是甲類的資訊產品，在居住的環境中使用時，可能會造成射頻干擾，在這種情況下，使用者會被要求採取某些適當的對策。

CAUTION: RISK OF EXPLOSION IF BATTERY IS REPLACED BY AN INCORRECT TYPE. DISPOSE OF USED BATTERIES ACCORDING TO THE INSTRUCTIONS.

ATTENTION: RISQUE D'EXPLOSION SI LA BATTERIE EST REMPLACÉE PAR UN MODELE INCORRECT. JETEZ LES BATTERIES USAGÉES SELON LES INSTRUCTIONS SY REFERANT.

**Argox Information Co., Ltd.**  
 7F., No.126, Ln.235, Baoqiao Rd., Xindian Dist.,  
 New Taipei City 231, Taiwan (R.O.C.)  
 Tel: +886-2-8912-1121 Fax: +886-2-8912-1124  
<https://www.argox.com>  
<https://www.youtube.com/user/argoxmkt>  
 email: [service@argox.com](mailto:service@argox.com)

Copyright © 2020. Argox Information Co.Ltd., All Rights Reserved.

單元 Unit	限制物質及其化學符號 Restricted substances and its chemical symbols					
	鉛Lead (Pb)	汞Mercury (Hg)	鎘Cadmium (Cd)	六價鉻Hexavalent chromium (Cr <sup>6+</sup> )	多溴聯苯Polybrominated biphenyls (PBB)	多溴二苯醚Polybrominated diphenyl ethers (PBDE)
印刷電路板組件	—	○	○	○	○	○
線圈	—	○	○	○	○	○
磁珠	○	○	○	○	○	○
智慧器	—	○	○	○	○	○
印字機組件	—	○	○	○	○	○

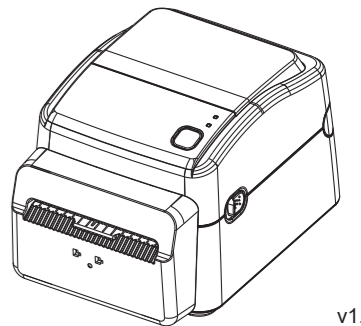
備考 1: "超出0.1 wt%" 及 "超出0.01 wt%" 係指限制物質之百分比含量超出百分比含量基準值。  
 Note 1: "Exceeding 0.1 wt%" and "exceeding 0.01 wt%" indicate that the percentage content of the restricted substance exceeds the reference percentage value of presence condition.  
 備考 2: "○" 係指該項限制物質之百分比含量未超出百分比含量基準值。  
 Note 2: "○" indicates that the percentage content of the restricted substance does not exceed the percentage of reference value of presence.  
 備考 3: "—" 係指該項限制物質為豁免項目。  
 Note 3: The "-" indicates that the restricted substance corresponds to the exemption.

D4-200, D4-250, D4-280, D4-300, D4-350, D4-380  
 D4-200plus, D4-250plus, D4-280plus, D4-300plus, D4-350plus, D4-380plus

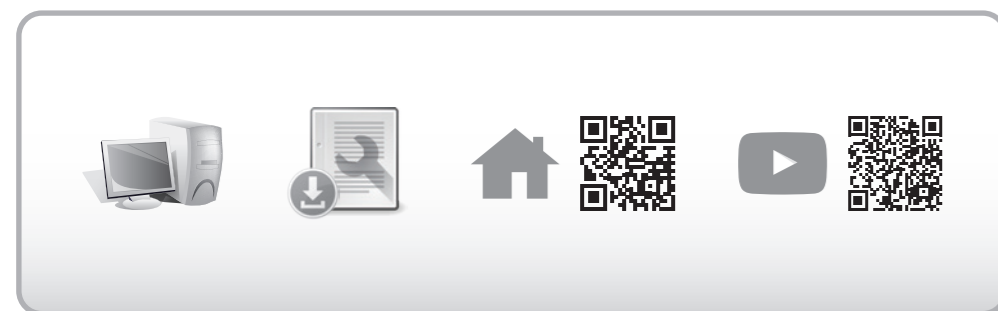


# D4 Linerless Series Printers Quick Installation Guide

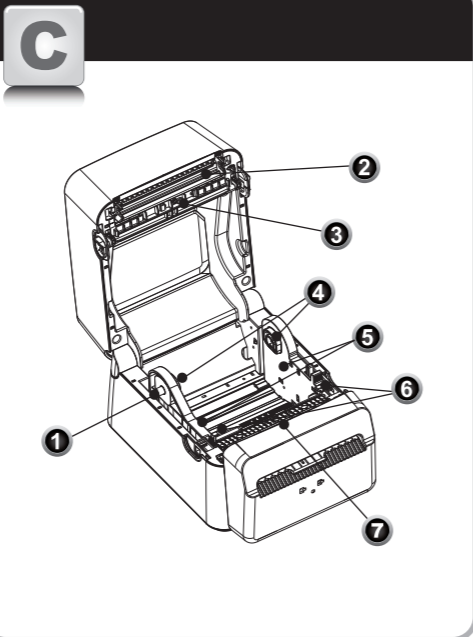
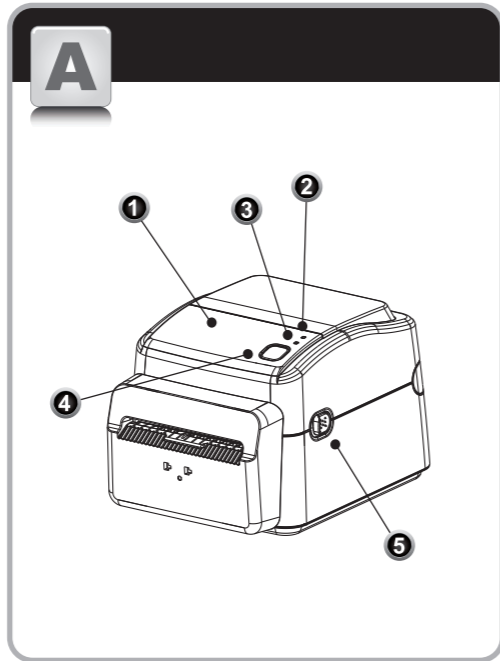
- 快速安裝指南
- 快速安装指南
- Guía Rápida
- Rapide Guide
- Bedienerhandbuch
- Guia de Ajuda Rápida
- Guida Rapida
- Snabb Installationsguide
- Snelle Installatiegids
- Przewodnik Szybkiej Instalacji
- Pedoman Penginstalan Cara Cepat
- Hızlı Kurulum Kılavuzu
- 빠른 설치 안내서



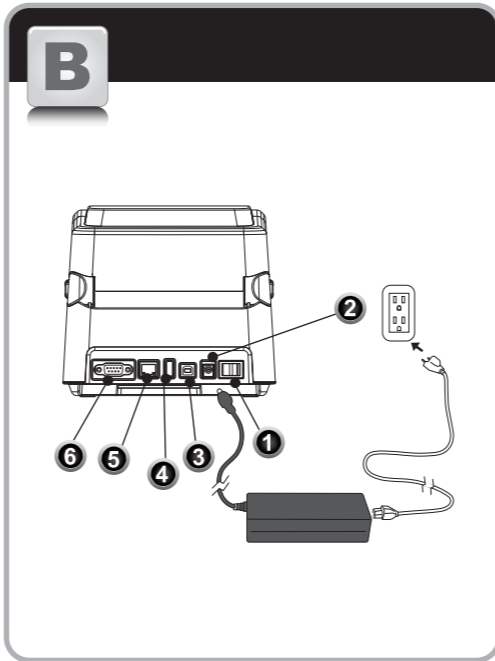
Part No: 49-D4201-021  
 Revision Date: Aug. 2020



1



2



### English

- A -**
- 1 Top Cover
  - 2 Indicator 2
  - 3 Indicator 1
  - 4 Feed Button
  - 5 Cover Open Latch

- B -**
- 1 Power Switch
  - 2 Power Jack
  - 3 USB Type B
  - 4 USB Type A
  - 5 Ethernet
  - 6 Serial Port (RS-232C)

- C -**
- 1 Thumbscrew
  - 2 Thermal Printhead
  - 3 Transmissive Sensor
  - 4 Core Holder
  - 5 Media Roll Holders
  - 6 Media Guides
  - 7 Transmissive Sensor

### Español

- A -**
- 1 Cubierta Superior
  - 2 Indicador 2
  - 3 Indicador 1
  - 4 Botón FEED (Alimentación)
  - 5 Pestillo Tapa abierta

- B -**
- 1 Interruptor de Corriente
  - 2 Conector de alimentación
  - 3 USB Tipo A
  - 4 USB Tipo B
  - 5 Ethernet
  - 6 Serie RS232

- C -**
- 1 Tornillo de Mano
  - 2 Cabezal de impresión
  - 3 Sensor transmisor
  - 4 Soporte de eje interior
  - 5 Soporte de rollo de papel
  - 6 Guías de papel
  - 7 Sensor transmisor

### Português

- A -**
- 1 Tampa Superior
  - 2 Indicador 2
  - 3 Indicador 1
  - 4 Botão Feed (alimentação)
  - 5 Trava para abrir a tampa

- B -**
- 1 Interruptor Ligar/ Desligar
  - 2 Conector de Energia
  - 3 USB Tipo A
  - 4 USB Tipo B
  - 5 Ethernet
  - 6 Serial RS232

- C -**
- 1 Parafuso
  - 2 Cabeça de Impressão
  - 3 Sensor Transmissível
  - 4 Suporte do Tubete
  - 5 Suporte do Rolo de Papel
  - 6 Guia do papel
  - 7 Sensor Transmissível

### Deutsch

- A -**
- 1 Deckel
  - 2 Indikator 2
  - 3 Indikator 1
  - 4 FEED-Taste
  - 5 Gehäuse Verriegelung

- B -**
- 1 Netzschalter
  - 2 Stromanschluß
  - 3 USB Typ B
  - 4 USB Typ A
  - 5 Ethernet
  - 6 RS232 seriell

- C -**
- 1 Schraube
  - 2 Druckkopf
  - 3 Durchlicht Sensor
  - 4 Kernaufnahme
  - 5 Etikettenrollenhalter
  - 6 Etikettenführung
  - 7 Durchlicht Sensor

### Français

- A -**
- 1 Capot supérieur
  - 2 Indicateur 2
  - 3 Indicateur 1
  - 4 Bouton Avance papier
  - 5 outon Ouverture capot

- B -**
- 1 Interrupteur Alimentation
  - 2 Connecteur d'alimentation
  - 3 USB Type B
  - 4 USB Type A
  - 5 Ethernet
  - 6 Port Série RS232

- C -**
- 1 Vis moletée
  - 2 Tête d'impression
  - 3 Cellule transmissive
  - 4 Support mandrin étiquettes
  - 5 Guide Rouleau étiquettes
  - 6 Guide papier
  - 7 Cellule transmissive

### 繁體中文

- A -**
- 1 上蓋
  - 2 指示燈 2
  - 3 指示燈 1
  - 4 送紙鍵
  - 5 上蓋開關

- B -**
- 1 電源開關
  - 2 電源插孔
  - 3 USB Type B
  - 4 USB Type A
  - 5 乙太網路埠
  - 6 RS232 串列埠

- C -**
- 1 螺絲
  - 2 印字頭模組
  - 3 穿透式感測器
  - 4 軸心
  - 5 掛紙架
  - 6 標籤引導器
  - 7 穿透式感測器

### 简体中文

- A -**
- 1 上盖
  - 2 指示灯 2
  - 3 指示灯 1
  - 4 送纸按钮
  - 5 上盖开关

- B -**
- 1 电源开关
  - 2 电源连接器
  - 3 USB Type B
  - 4 USB Type A
  - 5 以太网端口
  - 6 RS232 串口

- C -**
- 1 螺钉
  - 2 打印头模组
  - 3 穿透式传感器
  - 4 轴心
  - 5 挂纸架
  - 6 标签引导器
  - 7 穿透式传感器

### Svensk

- A -**
- 1 Övre kåpa
  - 2 Indikator 2
  - 3 Indikator 1
  - 4 Matningsknapp
  - 5 Locköppningsspärr

- B -**
- 1 Strömbrytare
  - 2 Grenuttag
  - 3 USB Type B
  - 4 USB Type A
  - 5 Ethernet
  - 6 Seriell port (RS-232)

- C -**
- 1 Letterskruv
  - 2 Termiskt skrivhuvud
  - 3 Transmissiv sensor
  - 4 Hållare centrumstång
  - 5 Mediahållare
  - 6 Mediaguider
  - 7 Transmissiv sensor

### 한국어

- A -**
- 1 프린터 상단 커버
  - 2 LED 2
  - 3 LED 1
  - 4 급지 버튼 (Feed)
  - 5 커버 오픈 레버

- B -**
- 1 전원 스위치
  - 2 전원 잭
  - 3 USB 타입 B
  - 4 USB 타입 A
  - 5 이더넷 (Ethernet)
  - 6 직렬 포트 (RS-232)

- C -**
- 1 나사
  - 2 열 전사 프린트 헤드
  - 3 투과형 센서 (Gap)
  - 4 지관 홀더
  - 5 미디어 홀더
  - 6 미디어 가이드
  - 7 투과형 센서 (Gap)

### Nederlands

- A -**
- 1 Top Cover
  - 2 Indicator 2
  - 3 Indicator 1
  - 4 Feed Button
  - 5 Kap opener

- B -**
- 1 Stroomschakelaar
  - 2 Power Jack
  - 3 USB tipo B
  - 4 USB Type A
  - 5 Ethernet
  - 6 Seriele poort (RS-232)

- C -**
- 1 Duimschroef
  - 2 Thermische printkop
  - 3 Tussenruimte sensor
  - 4 Kern houder
  - 5 Media Houder
  - 6 Media Geleiders
  - 7 Tussenruimte sensor

### Polskie

- A -**
- 1 Góra obudowa
  - 2 Wskaźnik 2
  - 3 Wskaźnik 1
  - 4 Przycisk podawania
  - 5 Dźwignia otwierania pokryw

- B -**
- 1 Przycisk zasilania
  - 2 Gniazdo zasilania
  - 3 USB tipo B
  - 4 USB typ A
  - 5 Ethernet
  - 6 Port szeregowy (RS-232)

- C -**
- 1 Śruba
  - 2 Głowica termiczna
  - 3 Czujnik przepuszczający
  - 4 Uchwyt rdzenia
  - 5 Uchwyt mediów
  - 6 Przewodniki multimedialne
  - 7 Czujnik przepuszczający

### Italia

- A -**
- 1 Coperchio
  - 2 LED 2
  - 3 LED 1
  - 4 Pulsante avanzamento
  - 5 Fermo Apertura Coperchio

- B -**
- 1 Interruttore accensione
  - 2 Connettore Alimentazione
  - 3 USB tipo B
  - 4 USB tipo A
  - 5 Ethernet
  - 6 Seriale RS232

- C -**
- 1 Regolatore Anima Nastro
  - 2 Modulo Testina di stampa
  - 3 Sensore Trasmissivo (GAP)
  - 4 Supporto Anima
  - 5 Supporto rotolo
  - 6 Guida Carta
  - 7 Sensore Trasmissivo (GAP)

### Türkçe

- A -**
- 1 Üst Kapak
  - 2 2.Gösterge
  - 3 1.Gösterge
  - 4 İlerleme Düğmesi
  - 5 Kapak Açma Mandalı

- B -**
- 1 Güç Düğmesi
  - 2 Güç Girişi
  - 3 USB Tip B
  - 4 USB Tip A
  - 5 Ethernet
  - 6 Seri Port (RS-232C)

- C -**
- 1 Kelebek Vida
  - 2 Termal Baskı Kafası
  - 3 Geçirgen Sensör
  - 4 Etiket Tutucu
  - 5 Etiket Tutamacı
  - 6 Sıkıştırma Mandalları
  - 7 Geçirgen Sensör

### Bahasa Indonesia

- A -**
- 1 Penutup Atas
  - 2 Indikasi 2
  - 3 Indikasi 1
  - 4 Tombol Maju
  - 5 Pengunci Cover Atas

- B -**
- 1 Saklar Power
  - 2 Colokan Power
  - 3 USB Type B
  - 4 USB Type A
  - 5 Ethernet
  - 6 Serial

- C -**
- 1 Baut Penyangga Label
  - 2 Printhead Thermal
  - 3 Sensor Gap
  - 4 Pegangan Core
  - 5 Pegangan Roll Media
  - 6 Panduan Media
  - 7 Sensor Gap

4