

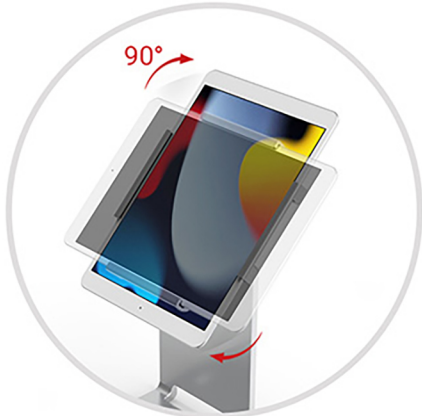
Two-in-one POS Stand

PS-2020

- Aluminum alloy material
- Flip back and forth 145 degrees
- Supports landscape and portrait switch



FEATURES



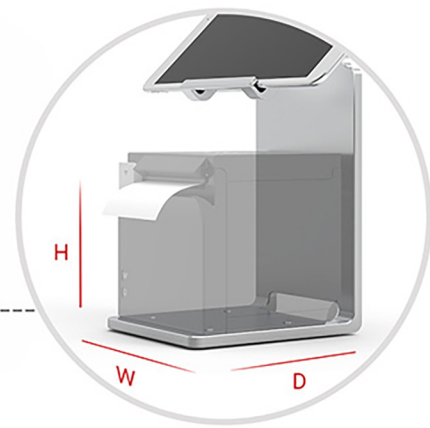
Landscape and Portrait Switching
90° swivel



Tablet Enclosure Flips 145° for Perfect Displays to Users



Tablet Enclosure
Screw lockable on side



Printer Space
W133xD149.5xH167mm

Two-in-one POS Stand

The PS-2020 stand integrates two-in-one solution for tablet enclosure and printer, good design for smart and fashion. Due the open design of the stand, the tablet can well displays its elegant appearance in the installation way of screws locked. The lower part of stand is the space for printer, there the base reserves a thin strip slot for cable routing to keep the cables well organized and neat.

The stand can work at any cashier space freely combined with cash drawer or cashier equipment.



Compatibility:

iPad 5(9.7")

iPad Pro 10.5"

iPad Air 2(9.7")

iPad 7(10.2")

iPad 6(9.7")

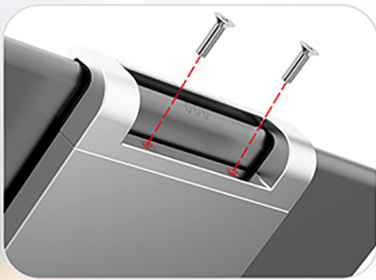
iPad Air 3(10.5")

iPad Pro 9.7"

iPad 8(10.2")

iPad Air 1(9.7")

iPad 9(10.2")



Screw lockable on side



Cable routing slot



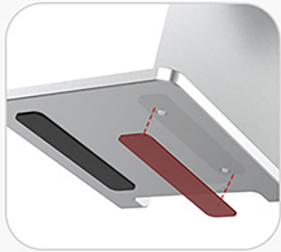
Screen Flexible Adjustment

Screen can be 145° flipped for perfect viewing to the users on both site. Supports landscape and portrait switching for different software application.



Aluminum Alloy Die Casting Process

Realized by aluminum alloy and die casting process, the stand is light but strong. Supports flexible applications by screws installed, or desktop placed directly.



①
EVA tape



②
Rubber pad



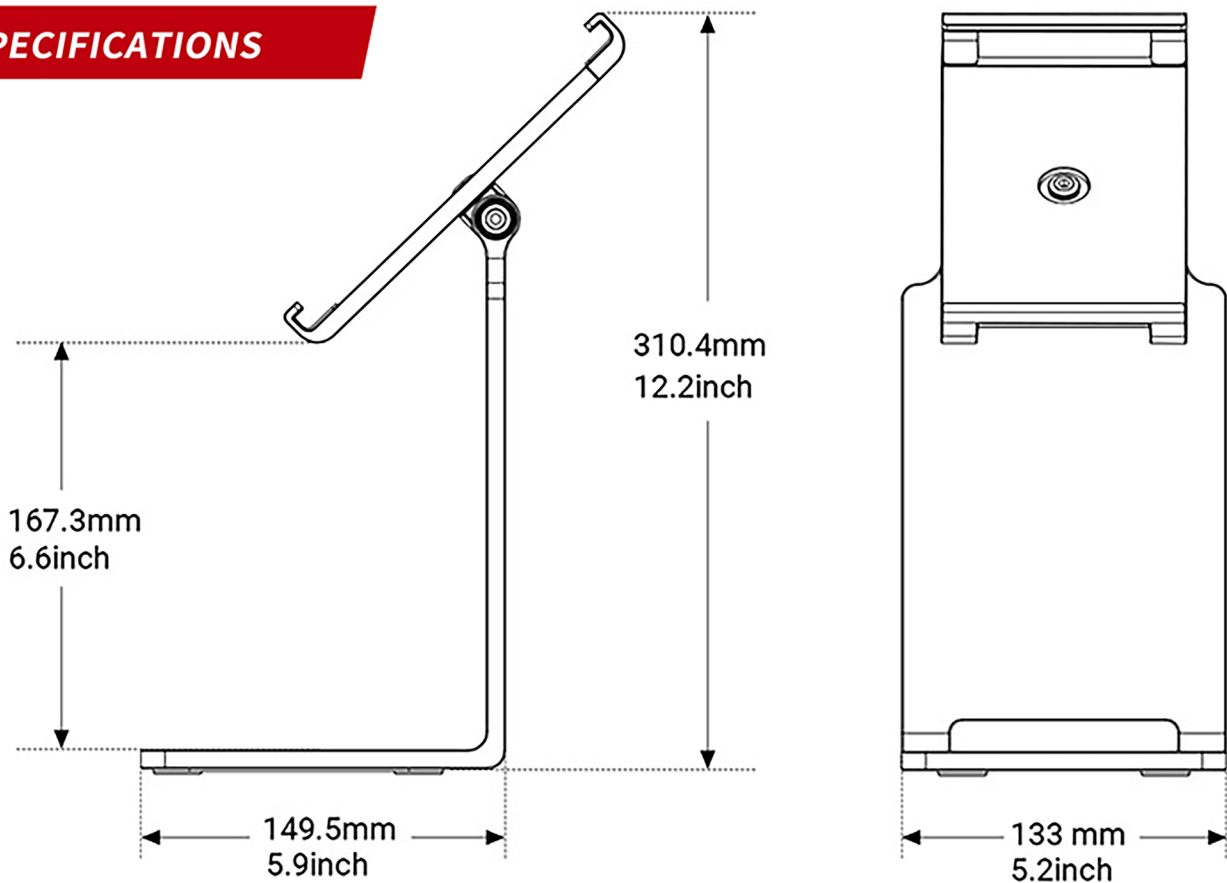
③
Selftapping screw



APPLICATIONS



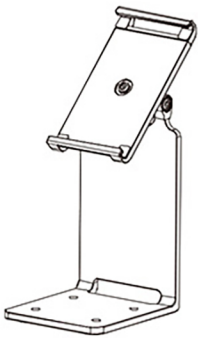



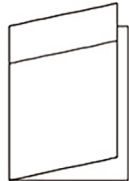


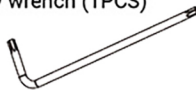

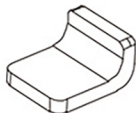


SPECIFICATIONS



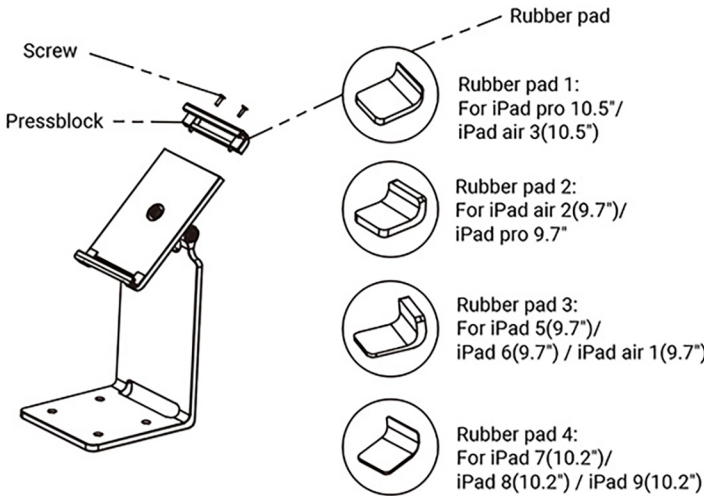
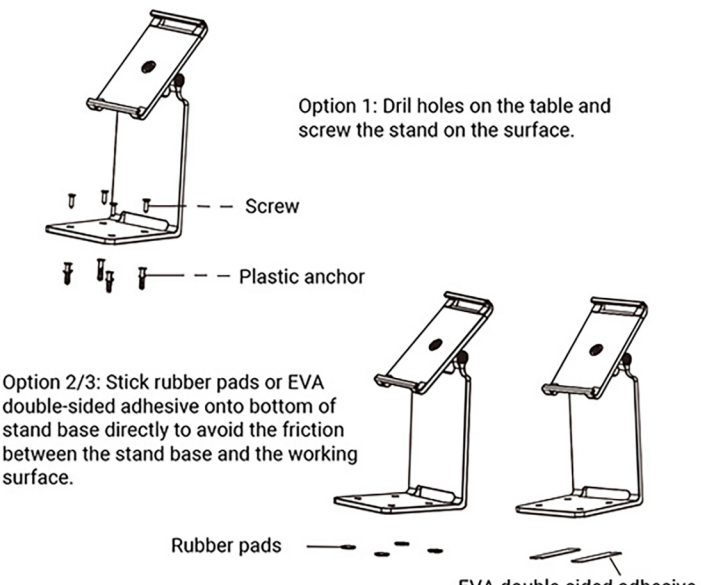
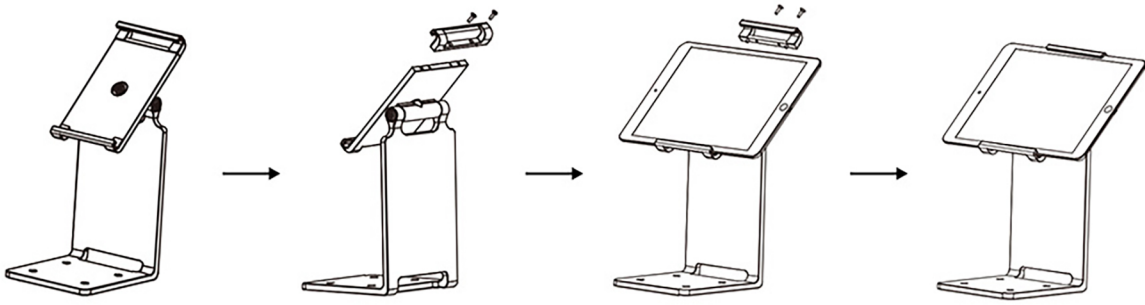
Model	PS-2020
Tablet Compatibility	iPad Pro 10.5" / iPad Air 3(10.5") iPad Air 2(9.7") / iPad Pro 9.7" iPad 5 (9.7") / iPad 6 (9.7") / iPad Air 1 (9.7") iPad 7(10.2") / iPad 8(10.2") / iPad 9(10.2")
Dimensions (mm)	149.5×133×310
Net Weight	1.4kg
Material	Aluminum alloy

ASSEMBLY & INSTALLATION

Packing List

 Stand (1PCS)	EVA double-sided adhesive (2PCS) 	Rubber pads (2PCS) 	L-wrench (1PCS) 	 User manual (1PCS)
	Plastic anchor (4PCS) 	Cross recessed pad head self-tapping crews (4PCS) 	L-shaped allen torx hex key wrench (1PCS) 	
	Rubber pad 1 (4PCS) For iPad pro 10.5" / iPad air 3(10.5") 	Rubber pad 2 (4PCS) For iPad air 2(9.7") / iPad pro 9.7" 	Rubber pad 3 (4PCS) For iPad 5(9.7") / iPad 6(9.7") / iPad air 1(9.7") 	Rubber pad 4 (4PCS) For iPad 7(10.2") / iPad 8(10.2") / iPad 9(10.2") 

Installation

1. Installation Instructions	2. Mounting Options
 <p>Screw</p> <p>Pressblock</p> <p>Rubber pad</p> <ul style="list-style-type: none"> Rubber pad 1: For iPad pro 10.5"/ iPad air 3(10.5") Rubber pad 2: For iPad air 2(9.7")/ iPad pro 9.7" Rubber pad 3: For iPad 5(9.7")/ iPad 6(9.7") / iPad air 1(9.7") Rubber pad 4: For iPad 7(10.2")/ iPad 8(10.2") / iPad 9(10.2") 	 <p>Option 1: Drill holes on the table and screw the stand on the surface.</p> <p>Screw</p> <p>Plastic anchor</p> <p>Option 2/3: Stick rubber pads or EVA double-sided adhesive onto bottom of stand base directly to avoid the friction between the stand base and the working surface.</p> <p>Rubber pads</p> <p>EVA double-sided adhesive</p>
3. Tablet Installation	
	



Inter-Register Communication (M) Sdn. Bhd. [198701004225 (162895-K)]
 34, Jalan Tanjung SD 13/1, Bdr Sri Damansara,
 52200 Kuala Lumpur.
Tel: (6)03-6272 8000 (8 Line) **Fax:** (6)03-6272 3210
 general@irc.com.my
 www.irc.com.my

Authorise Reseller :