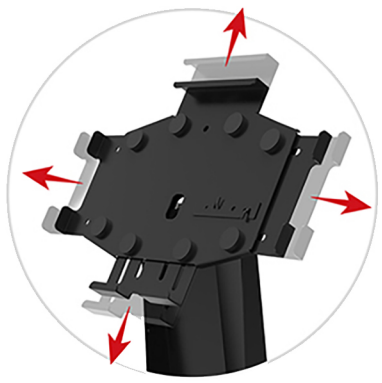


Tablet POS Stand PS-2010

with Printer Holder



FEATURES



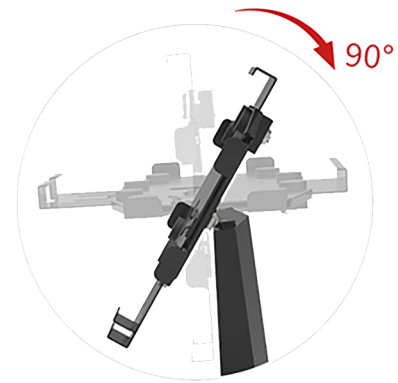
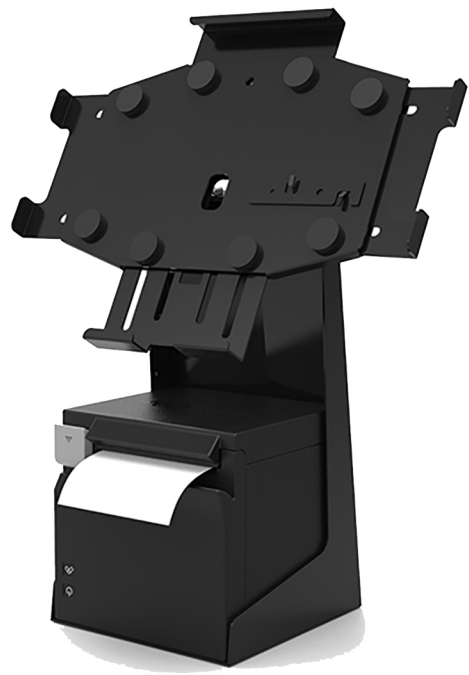
Adjustable Tablet Enclosure
compatible with full series of
iPad/iPad Air/iPad Pro



Double Security Protection
by screws and key lock



Printer Space
W127 x D127 x H127



Tilted 90 Degree

Two-in-one Saving Space

An integrated stand for tablet and printer makes your point of sales fresh and stylish.



Universal for iPad 9.7-12.9 inch

Adjustable tablet enclosure for iPad 9.7-12.9 inch, covering the full series of iPad, iPad Air and iPad Pro.

Works with other tablets below the size range:
length 238-283mm, width 168-216mm, thickness 5.9-7.9mm.



Balance Safety and Convenience

All metal structure makes the stand stable and durable even under frequent use.

The stand can be freestanding or screw mounted on the countertop as need.

Tablet enclosure is doubled secured with both screws and key lock.

And you can easily remove the tablet by opening the lock and releasing the upper clip.



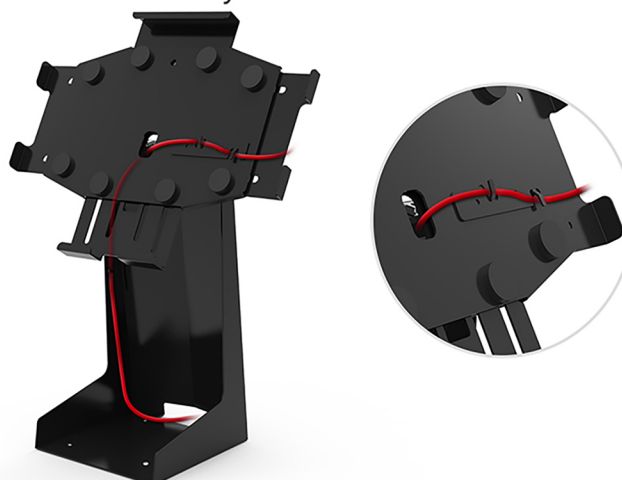
Tilt 90 Degree

Enclosure can be tilted 90 degree to suit different working environment and offer an ideal viewing angle .



Easy Cable Management

Detail designs such as cable clips and wiring holes keeps cables out of sight and makes your environment clean.



APPLICATIONS



SPECIFICATIONS

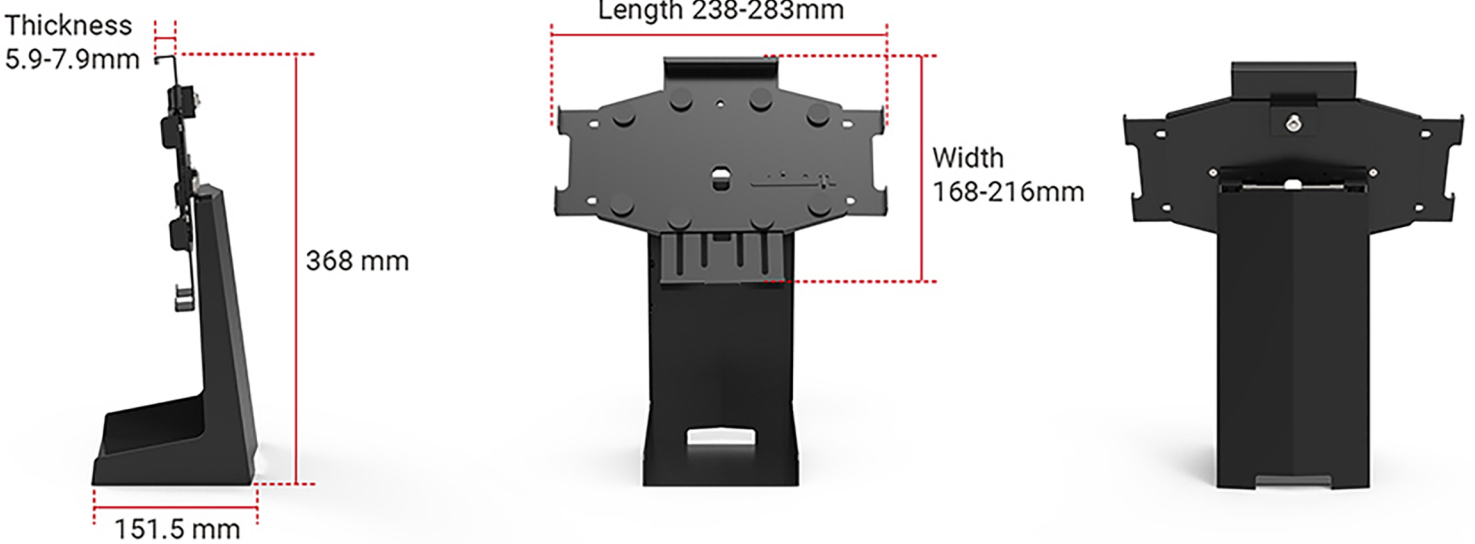
Thickness
5.9-7.9mm

Length 238-283mm

368 mm

Width
168-216mm

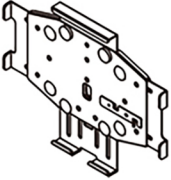


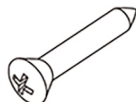
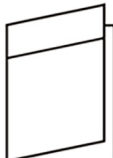

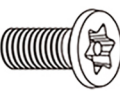
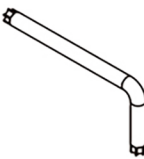

151.5 mm



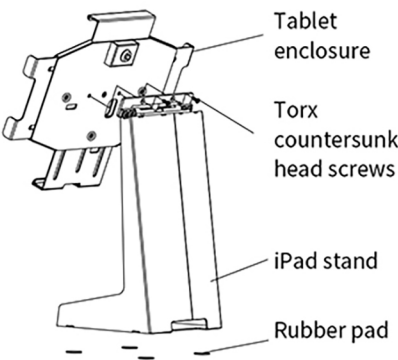
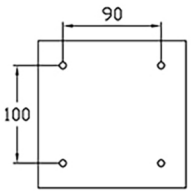
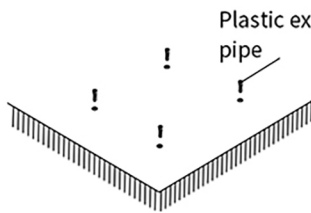
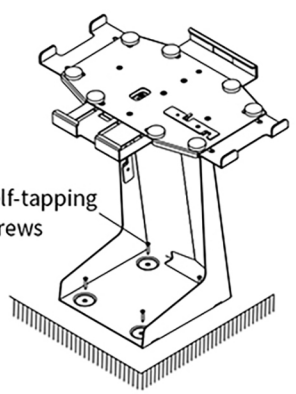
Model	PS-2010
Tablet Compatibility	Ipad 9.7"~12.9"
Dimensions (mm)	290×151.5×368
Dimensions (inch)	11.4×6.0×14.5
Net Weight	2.2kg
Material	SPCC
Color	Black
Customization	Color

ASSEMBLY & INSTALLATION

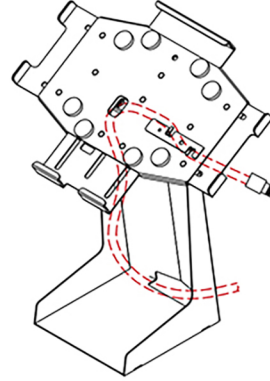
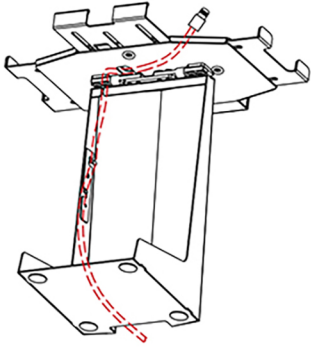
Packing List

 Tablet enclosure (1PCS)	 Key (1PCS)	 Rubber pad $\varnothing 20 \times 1$ (4PCS)	 Self-tapping screws ST4.8x19 (4PCS+2PCS)	 User manual (1PCS)
 iPad stand (1PCS)	 Torx countersunk head screws M3*8 (2+2PCS)	 Wrench of torx drive M3 (1PCS)	 Plastic expansion tube $\varnothing 6 \times 30$ (4PCS+2PCS)	

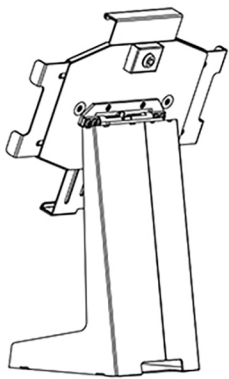
Installation

1. Product Installation		
	 <p>Use the $\varnothing 6$ drill to drill holes with the depth of 30mm and the distance should be the same as shown.</p>  <p>Plug in the plastic expansion pipe and struck with a hammer, do not break the pipe head.</p>	

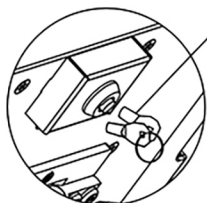
2. Cable Management



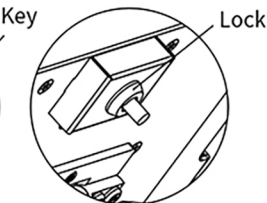
3. Tablet Installation



① Open the lock

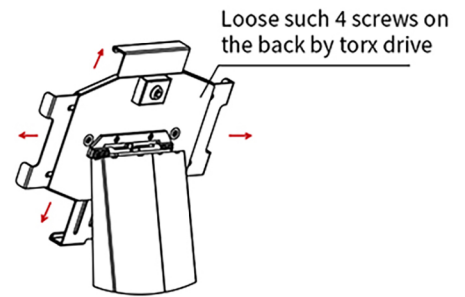


Lock closed

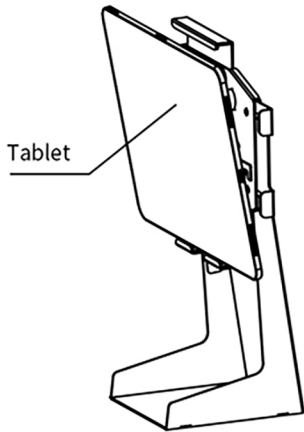


Lock opened

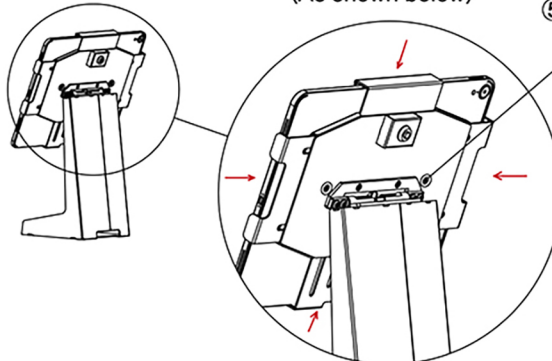
② Loose the screw and pull the slider



③ Put in the tablet (As shown below)



④ Press the slider tightly (As shown below)



⑤ Screw such 4 screws on the back by torx drive

⑥ Rotate the enclosure to the suitable position (As shown below)



⑦ Tablet removal steps: follow the steps 5.4.3.2.1