

KH-3210

Multifunction Self-ordering Kiosk

- > 32" HD commercial display screen
- > 10 points PCAP touch
- > Built-in printer, wide-angle scanner, 2D camera
- > Application: single/dual screen flooring, wall mounting



FEATURES



32" HD Touch Screen



2D Camera



Printer

80*80mm paper roll, with auto cutter



Card Reader Space

(Without card reader)
Size : L175*W125mm



Speaker

(Both on left/right)



Built-in Scanner



Stylish Appearance & Diversified Application

32" self-ordering kiosk KH-3210, is combined with HD 1080P touch screen, thermal printer, wide-angle scanner and camera.

Designed with simply and fashionable appearance, supports various applications as single screen flooring, dual screen flooring, or wall-mounting, to meet the requirements of diverse usage scenarios.

Widely suitable for restaurants, coffee shops, fast food restaurants and other stores, offers free usage experience even on peak time, improving the operation efficiency of the stores.

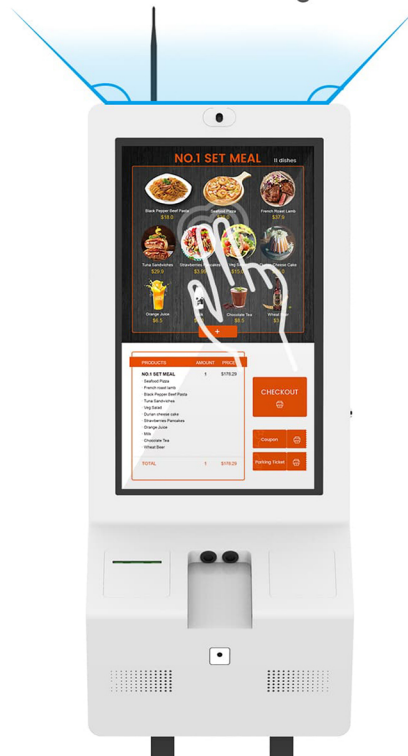


32" HD Image with Sensitive Capacitive Touch

32" HD original commercial screen, configured with 1920 x1080 high resolution and 178° viewing clear, exquisite image.

10 points capacitive touch, supports kinds of gestures by point or slide touch with nice checkout experience.

178° viewing



Support kinds of gestures

Ergonomic Design with Wide Angle Scanning

The operation area of the fuselage adopts radian design, conform to ergonomics, reasonable height operation, for comfortable usage experience.

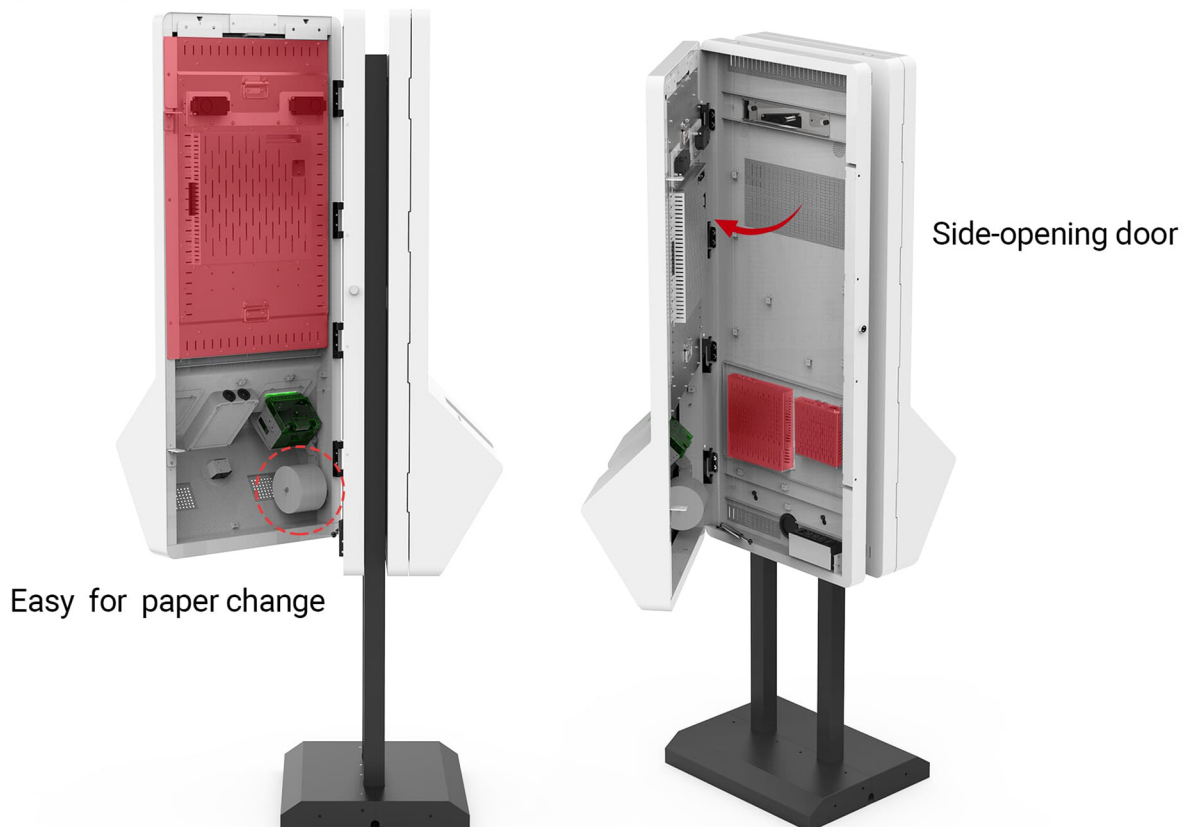
Built-in scanner, supports wide-angle scanning at larger range, can easily scan the codes without aim deliberately.



Side-opening Door with Internal Electronic Modularization

Display screen is configured with side lockable door for easy daily maintenance and printing paper change.

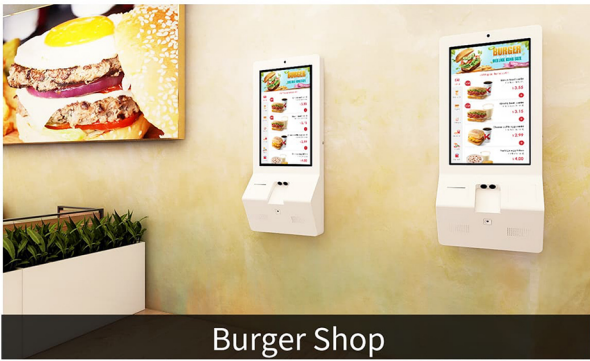
Internal electronic devices are modularized design, easy for updating or overhauled the module independently, saving maintenance cost.



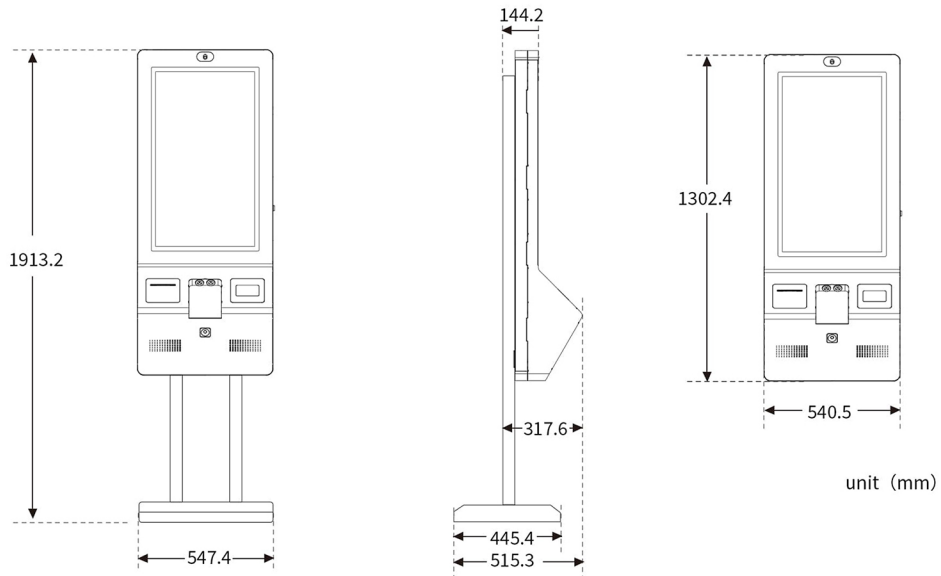
MOUNTING OPTIONS



APPLICATIONS



SPECIFICATIONS



OS Support			
Operating System	WIN 10 (Trial version)	Android 7.1	
CPU	Intel Celeron J1900 Quad-core 2G	RK3288 Cortex-A17 Quad-core, 1.8 GHz	
System Memory	4G	2G/4G	
Disk	64G/128G/256G(SSD)	8G/16G/32G/64G	
Interface			
Speaker	5W*2	5W*2	
Interface	USB*3/RJ45*1	USB*2/RJ45*1	
Network	Ethernet/WIFI	Ethernet/WIFI	
Touch Screen			
Type	Projective capacitive touch (10 points)	Response Time	10ms
LCD			
Type	TFT-LCD	Contrast Ratio	1100:1
Screen Size	32"	Response Time	10ms
Max Resolution	1920 x 1080	Viewing Angle	H178° V178°
Aspect Ratio	16 : 9	Display Colors	16.7M
Brightness	400 cd/m ²	Refresh Rate	60Hz
Panel Life	30000 hours		
Devices			
Printer	Thermal printer with cutter, paper roll 80mm * 80mm	Camera	2 million pixels, prime lens, 1920*1080@30fps
Scanner	2D, Area-imaging scanner	Card Reader	Customized
Power			
Voltage	100-240VAC , 50/60Hz	Power Consumption	<120W
Enclosure			
Material	SPCC	Surface	Powder coating
Overall Size (mm)	W540.5*D317*H1302.5 (Wall mounting) W548*D515*H1912.5 (Single screen flooring)	Net Weight	47Kg (Wall mounting) 89Kg (Single screen flooring)
Package (mm)	1475*475*790 (Wall mounting) 1950*535*790 (Single screen flooring)	Gross Weight	86Kg (Wall mounting) 129Kg (Single screen flooring)
Application			
Working Temperature	0~40°C	Storage Temperature	-20~60°C
Working Humidity	20%~80%	Storage Humidity	10%~90%
Application	Indoor		