

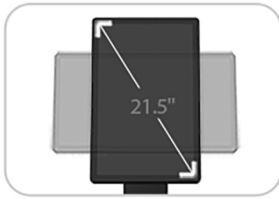
21.5" SELF-CHECKOUT KIOSK

KR-2100

- Compatible with 21.5 inch touch screen
- 10 points PCAP touch
- Built-in scanner, built-in printer
- Support Ethernet & WiFi
- Options: card reader holder, camera



FEATURES



21.5 inch Monitor
1080P HD display
10 points PCAP touch



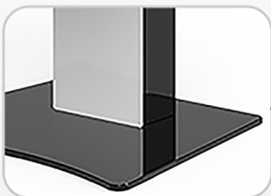
Option: Card Reader Holder
Excl. card reader
Width 80-135mm



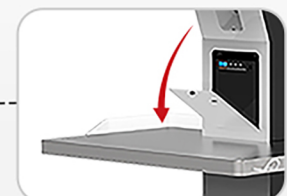
Stainless Shelf
With baffle & hooks



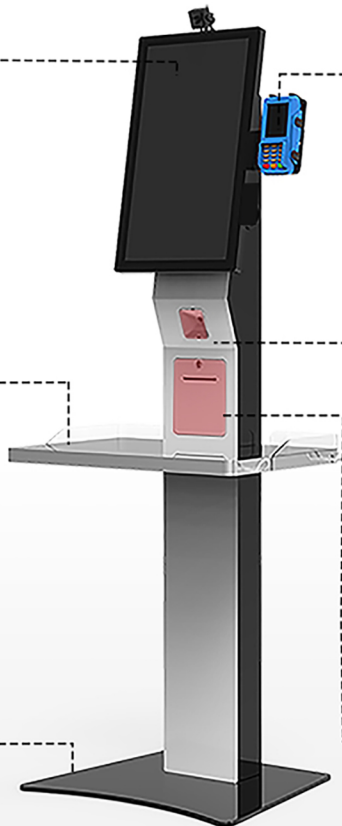
Built-in Scanner

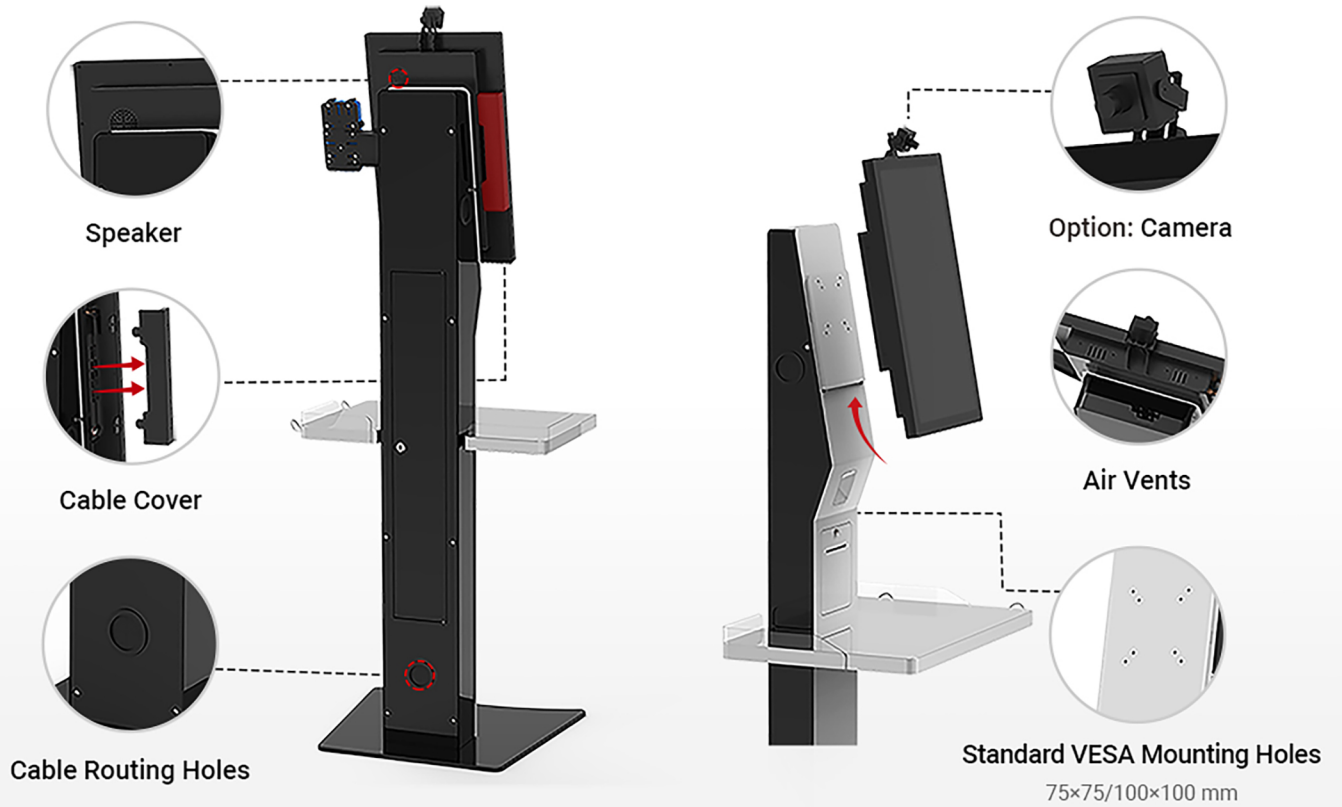


Solid Base



Built-in 80mm
Thermal Printer With Auto Cutter





Compact & Durable, Time-saving & Efficient

The self-checkout Kiosk designs with compact structure, with built-in scanner, built-in printer, optional card reader holder, to meet different needs of checkout environments. Compact design, small footprint, tailor-made for small supermarkets, convenience stores, etc.

Providing fast and convenient checking out experience with the self-service, shorten the waiting time, reduce the labor cost, also improve the store operation & service, and help to gain the reputation.



21.5 inch HD Screen 10 Points Touch

21.5 inch HD touch screen computer. The original commercial screen has 1080P high-definition display and 178° wide and large viewing Angle.

10 points capacitive touch technology with sensitive response and smooth operation, provides rich interaction and excellent user experience.



High Speed Scanner & Printer Faster the Checkout

Built-in high performance scanner, can read the bar code graphics on prints or mobile phones screen, supports movement reading and no backlight screen reading.

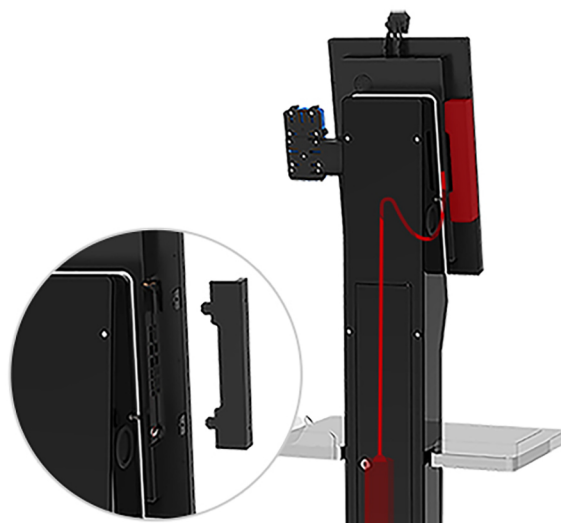
Embedded 80mm thermal printer with auto cutter, with high speed printing, quiet operation and anti-blocking paper. The front-open design, makes it easy to change the paper roll.

Brushed stainless steel shelf, can easily bear 30kgs. The humanized design of transparent baffle can effectively prevent the goods from falling off, the side hooks can hold the shopping bags. The checking out and storage are synchronized and convenient.



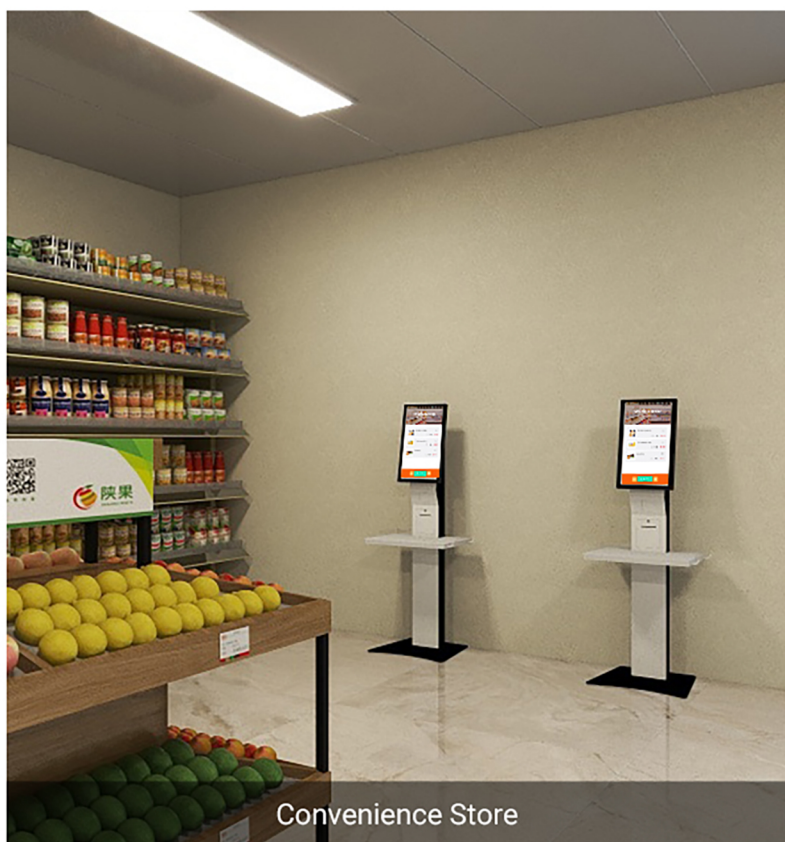
Detail Design Pratical & Safe

Internal hidden cable routing, makes the application environment clean and tidy. The cable cover is designed to protect the interface and switches from being damaged or touched by people in public.

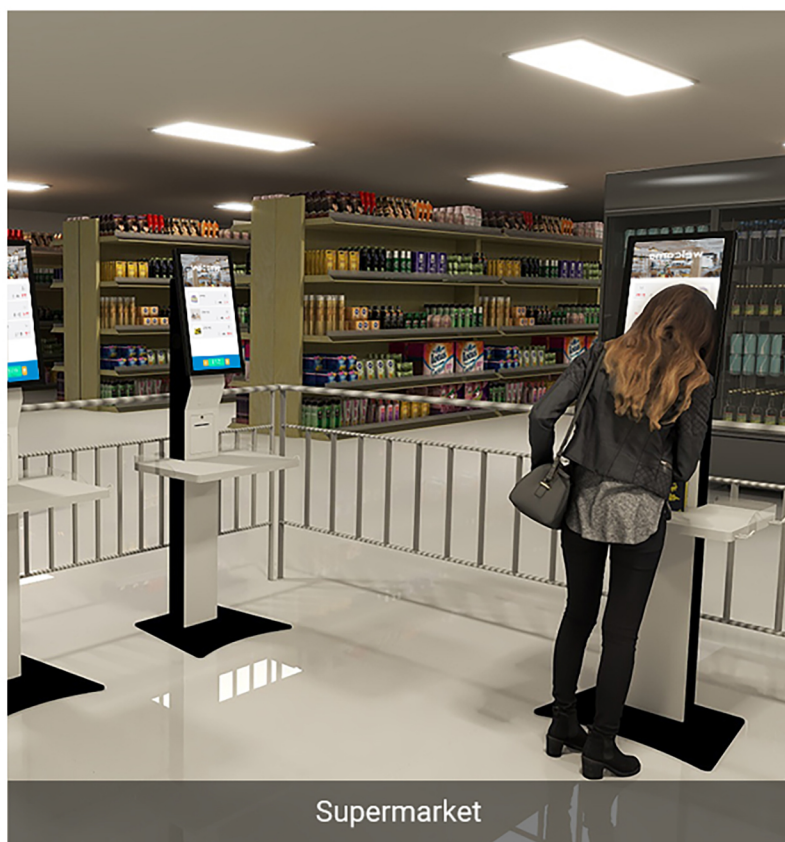


Cable Cover

APPLICATIONS

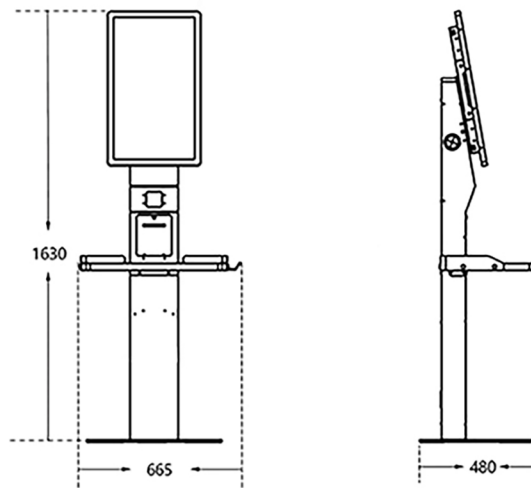


Convenience Store



Supermarket

SPECIFICATIONS



(Unit mm)

OS Support			
Operating System	WIN 10 (Trial version)	Android 7.1 and higher version	
CPU	Intel Celeron J1900 Quad-core 2G	RK3288 Cortex-A17 Quad-core, 1.8 GHz	
System Memory	4G	2G/4G	
Disk	64G/128G/256G(SSD)	8G/16G/32G/64G	
Interface			
Speaker	5W*2	5W*2	
Interface	USB*4/RJ45*1	USB*2/RJ45*1	
Network	Ethernet/WIFI	Ethernet/WIFI	
Touch Screen			
Type	Projective capacitive touch(10 points)	Response Time	10ms
LCD			
Type	TFT-LCD	Contrast Ratio	3000:1
Screen Size	21.5 inch	Response Time	18ms
Max Resolution	1920 x 1080	Viewing Angle	H178° V178°
Aspect Ratio	16 : 9	Display Colors	16.7M
Brightness	300 cd/m ²	Refresh Rate	60Hz
Panel Life	30000 hours		
Devices			
Printer	80mm thermal printer with autocutter		
Scanner	2D, area-imaging scanner		
Card Holder	Customer provide		
Power			
Voltage	100-240VAC , 50/60Hz	Power Consumption	<40W
Enclosure			
Material	SPCC	Surface	Powder coating
Overall Size	L665xW480xH1630mm	Net Weight	57kg
Package	L1640xW555xH285mm L650xW450xH190mm (21.5 inch monitor)	Gross Weight	53.5kg 10.5kg (21.5 inch monitor)
Colors	Black or customized		
Application			
Working Temperature	0~40°C	Storage Temperature	-20~60°C
Working Humidity	20%~80%	Storage Humidity	10%~90%
Application	Indoor		