

19" Self-checkout Kiosk

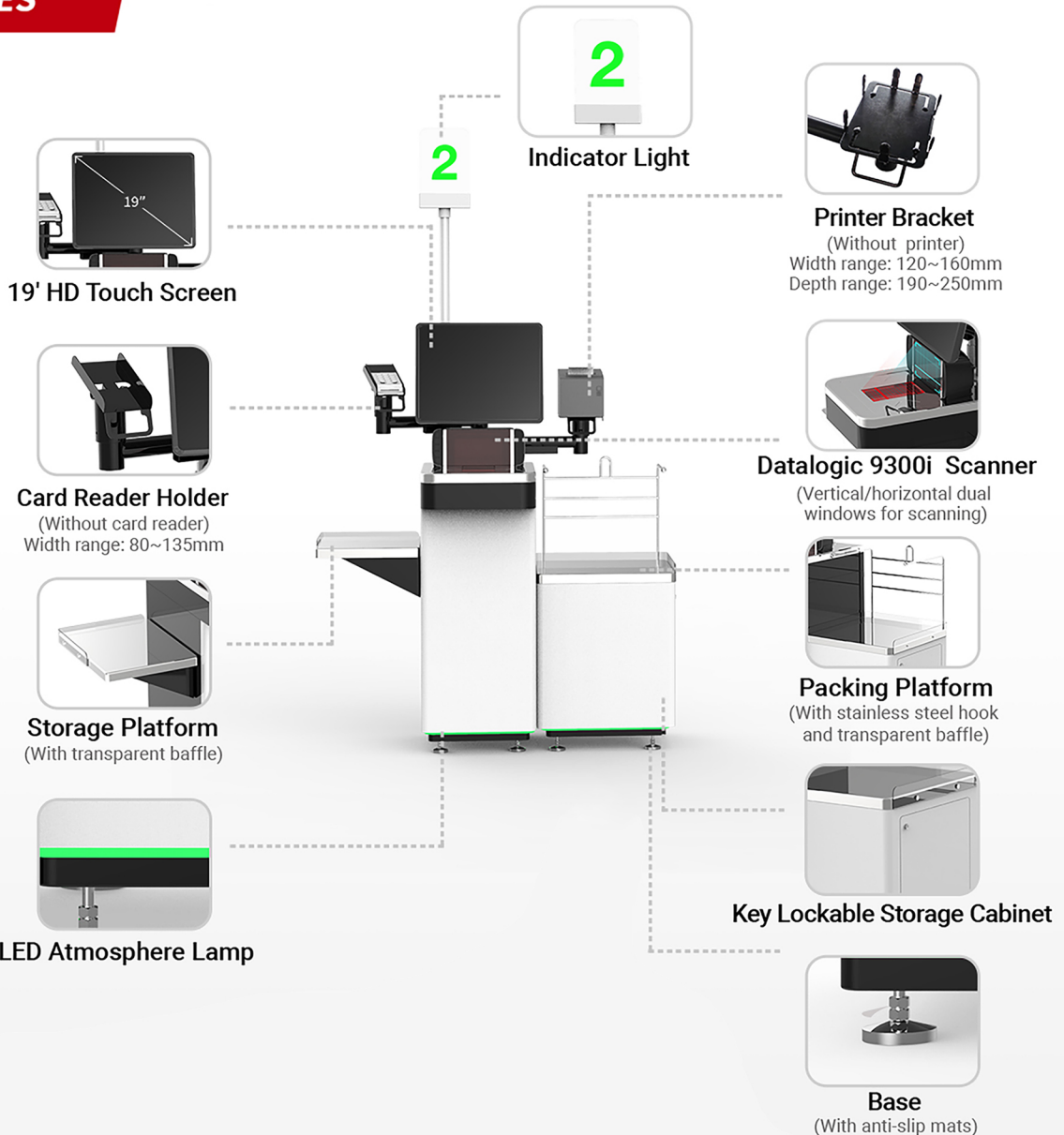
KR-1900

- Multi-touch screen, easy operation and fast response
- Datalogic 9300i 2D high performance scanner, equipped with horizontal and vertical dual windows for scanning
- Combined with two storage platforms on left and right sides
- Stylish payment terminals integrated with dual touch screens, card reader holder, and printer holder, free rotatable metal allocation for each module, offering brilliant operation experience

2



FEATURES

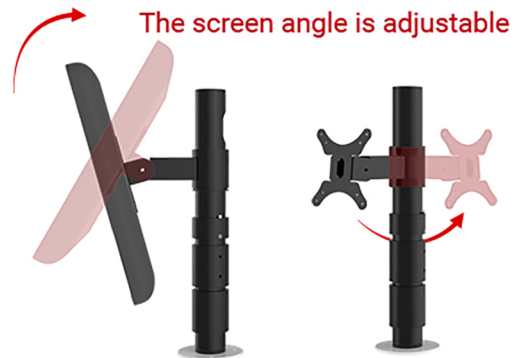


Brand HD Touch Screen

19" HD original commercial screen, angle adjustable mounting.

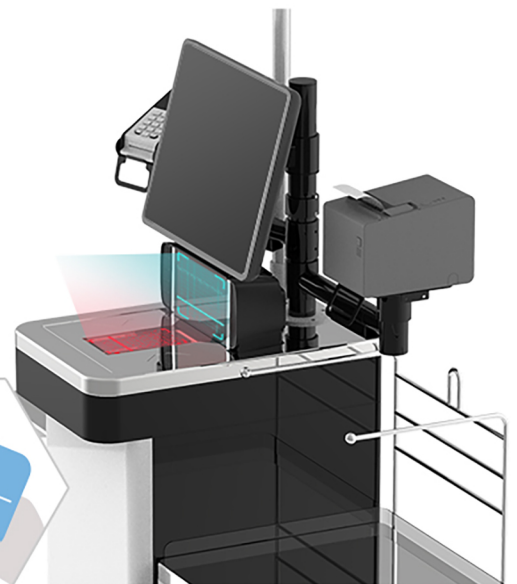
10 points capacitive touch, 10ms fast response, is sensitive to kinds of gestures by point or slide touch with nice checkout experience.

1280×1024 high resolution and 178° viewing with exquisite image, bringing users comfortable visual experience.



High Sensitive Scanner

Dual windows scanning platform, all-around image scanning ability, can read all kinds of barcode on presswork, mobile phone or card coupons with high sensitivity in all directions. It substantially improves checkout efficiency.



Printed matter



Mobile phone

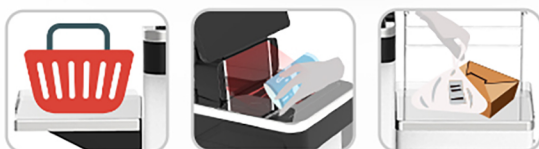


Card



Individual Storage Platform on Both Sides

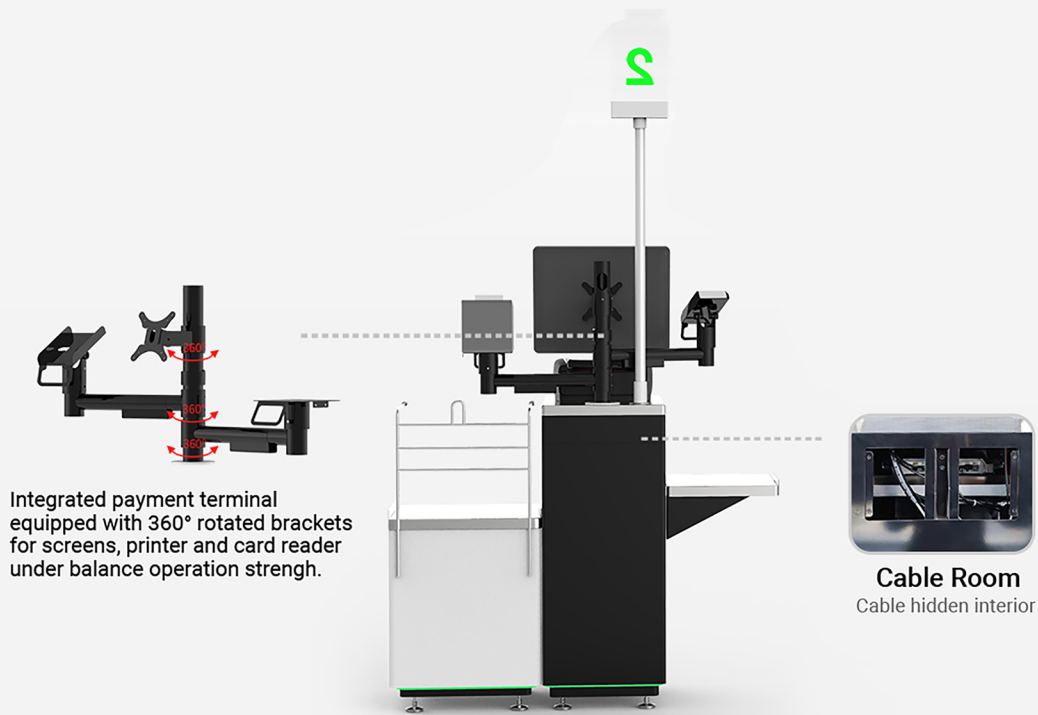
Dual storage platform design, configured with wear-resisting and corrosion-resisting stainless steel shelf, combined with transparent baffle panel to keep goods from slip. Right platform for packing, equipped with stainless steel hook for packing bags hanging. It offers free easy self-checkout experience of goods holding, scanning, checkout, packing at a dash.



Goods holding

Scanning

Packing



Integrated Payment Modules Complete Operation Function

The combined self-checkout kiosk KR-1900, integrated with diverse function modules 19" HD touch screen, vertical and horizontal dual windows scanner, two individual platforms for storage and packing, printer bracket, rotated card reader bracket, and storage room etc. The overall layout is in line with ergonomics in strong practicality. It offers users brilliant check out and packing experience. KR-1900 is widely applicable to supermarket, shopping mall, and department stores etc.

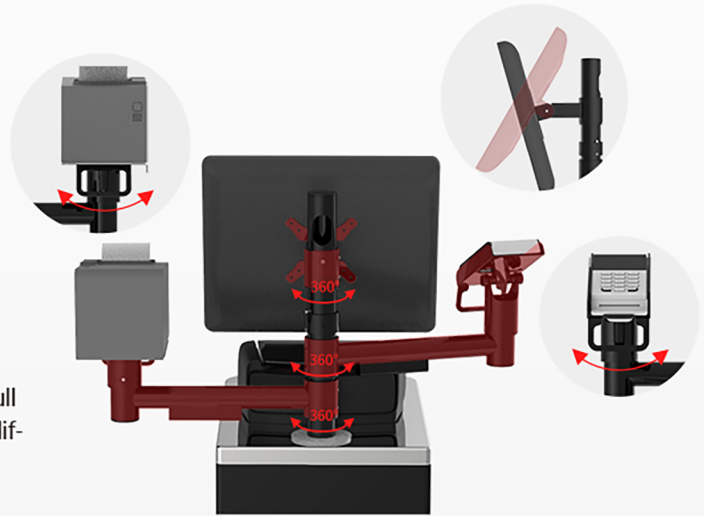
The kiosk body is sheet metal fabricated, strong and durable. Each module can be packed individually for efficient transportation. Its modularization design is also very easy for installation.



Rotated Bracket Flexible Adjustment

The payment terminal is integrated with free rotated mounting brackets for screen, printer and card reader.

Each bracket can be 360° rotated, arbitrary push and pull in balance strength, height adjustable to meet users in different requirements.



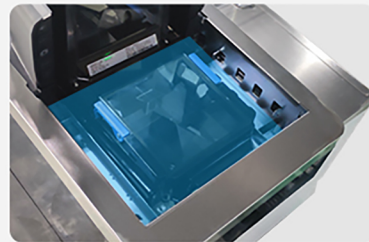
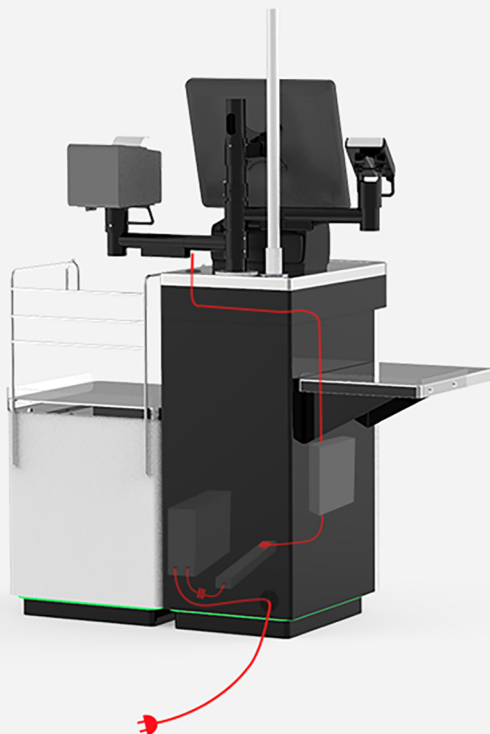
Cable Interior Hidden Routing and Storage

Cable routing is interior hidden, all cables start from each module, and go through inner tube of stand to the cable room from backward door.

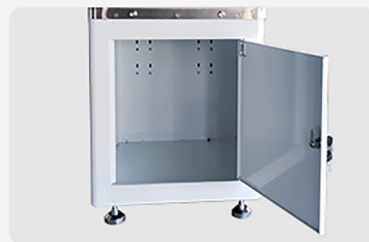
The cable room keeps all cables and power switch safe from public damage, and easy for daily maintenance.

The built-in metal tray under the scanner, keeps the cable room from water proof, and is convenient for daily cleaning.

Storage cabinet equipped on right side, for daily items needed storage, such as shopping bags, printing paper, cleaning items, tools and accessories etc.

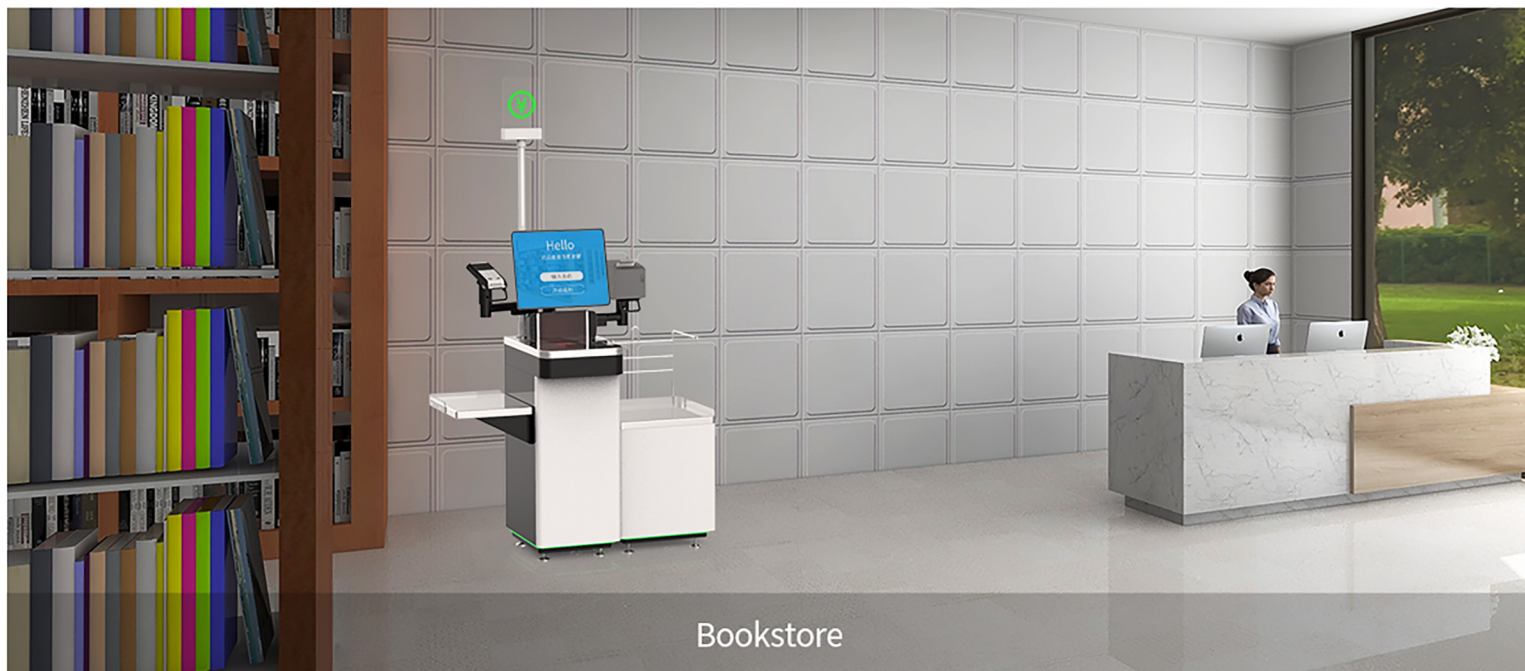


Built-in metal tray under scanner

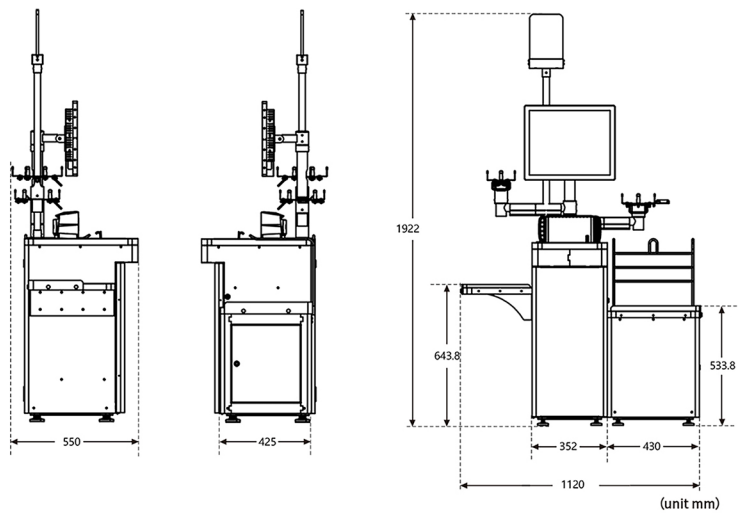


Storage cabinet

APPLICATIONS



SPECIFICATIONS



OS Support			
Operating System	WIN 10 (trial version)	Android 7.1	
CPU	Intel Celeron J1900 Quad-core 2G	RK3288 Cortex-A17 Quad-core, 1.8 GHz	
System Memory	4G	2G/4G	
Disk	64G/128G/256G(SSD)	8G/16G/32G/64G	
Interface			
Speaker	5W*2	5W*2	
Interface	USB*8/RJ45*1	USB*6/RJ45*1	
Network	Ethernet/WIFI	Ethernet/WIFI	
Touch Screen			
Type	PCAP 10 points	Response Time	10ms
LCD			
Type	TFT-LCD	Contrast Ratio	1000:1
Screen Size	19"	Response Time	5ms
Max Resolution	1280 x 1024	Viewing Angle	H178° V178°
Aspect Ratio	5 : 4	Display Colors	16.7M
Brightness	250 cd/m ²	Refresh Rate	60Hz
Panel Life	30000 hours		
Devices			
Scanner	Vertical/horizontal dual windows for scanning		
Printer (Option)	Thermal printer with cutter, paper roll 80mm * 80mm		
UPS (Option)	660w / 1100va, sustainable power supply for half an hour		
Power			
Voltage	100-240VAC , 50/60Hz	Power Consumption	<165W
Enclosure			
Material	SPCC	Surface	Powder coating
Overall Size (mm)	L1120×W550×H1922	Net Weight	85.74kg
Package (mm)		Gross Weight	
Application			
Working Temperature	0~40°C	Storage Temperature	-20~60°C
Working Humidity	20%~80%	Storage Humidity	10%~90%
Application	Indoor		



Inter-Register Communication (M) Sdn. Bhd. [198701004225 (162895-K)]

34, Jalan Tanjung SD 13/1, Bdr Sri Damansara,

52200 Kuala Lumpur.

Tel: (6)03-6272 8000 (8 Line) Fax: (6)03-6272 3210

general@irc.com.my

www.irc.com.my

Authorise Reseller :