

# POS Terminal Stand

**PS-1020**

- Full metal structure
- 360° freely swivel



## FEATURES



**Mounting Panel for POS Terminal**  
W80×H110 mm



**EVA Adhesive**



**Mounting Hole**  
Screw mounting



**Swivel Base**

## 360° Swivel

The smart and exquisite POS terminal stand, supports 360° flexible swivel.

EVA adhesive is apply to fix the POS terminal on the mounting panel of the stand, allowing for more seamless customer interactions with less risk damage to the POS terminal.

25° inclined mounting design is for ergonomic, offers comfortable customer experience.



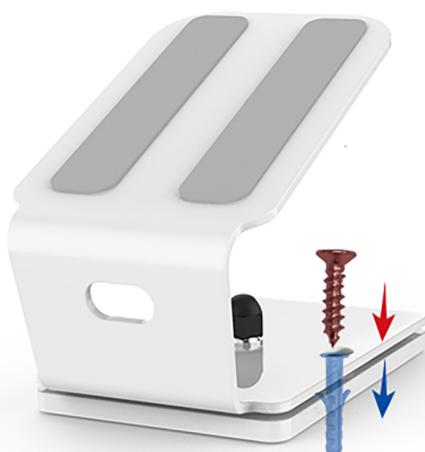
## One-piece Traceless Bending Process

The POS terminal stand is realized by one piece traceless bending, 3mm thick mild steel, with smooth surface and stable base, supporting long life use without deformation.

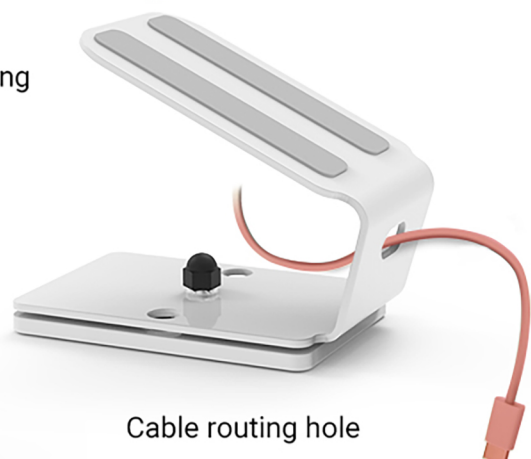


## Humanized Detail Design

Countersink thread holes for concealed mounting

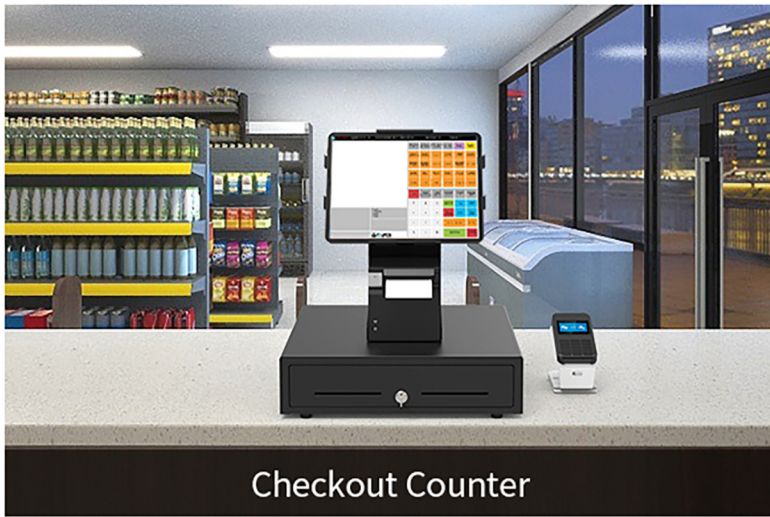


Cable routing hole

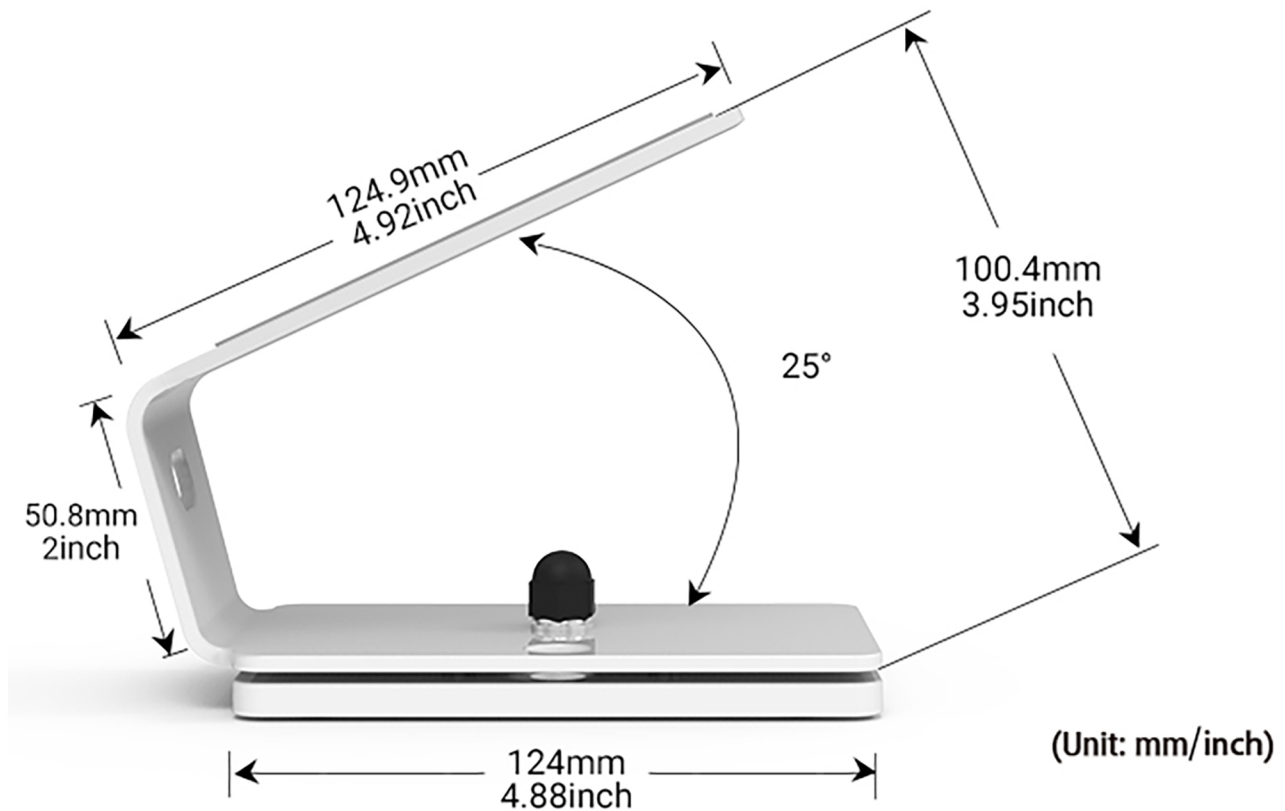




## APPLICATIONS

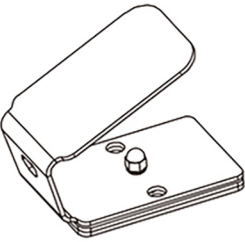







## SPECIFICATIONS



Model	PS-1020
Compatible payment terminals	W80×H110 mm
Dimensions (mm)	Pictured
Net Weight	2.8kg
Material	White/Black

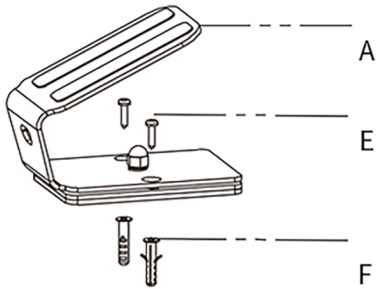
## Packing list

<p><b>A</b></p>  <p>A = 1PCS</p>	<p><b>B</b></p>  <p>B = 2PCS</p>	<p><b>C</b></p>  <p>C = 1PCS</p>	<p><b>D</b></p>  <p>D = 4PCS</p>	<p><b>E</b></p>  <p>E = 2PCS</p> <p><b>F</b></p>  <p>F = 2PCS</p>
--	---	---	---	---

## Three Installation Methods for Base:

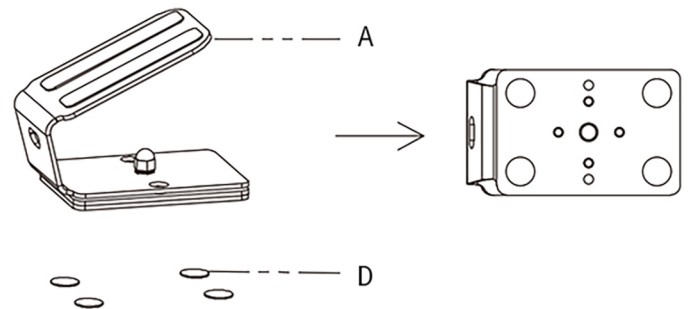
### ① The first Installation Method:

Open 2 holes size at Ø6 on the desktop, and insert the F into the holes to be align to the desktop, then lock the E to the F with screwdriver.



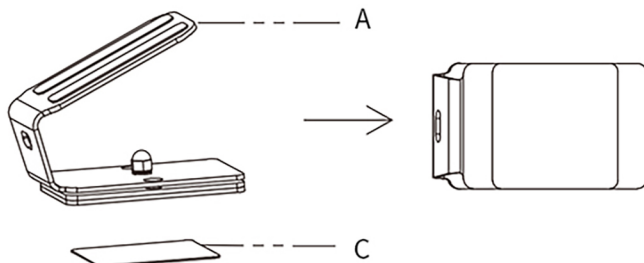
### ② The Second Installation Method:

Stick EVA pad D onto the base.



### ③ The Third Installation Method:

Stick EVA pad C onto the base.



### The way of POS device Installation:

Stick EVA pad B to the specified location of Stand A, Then fit the POS device to the pad B.

