

# Pole Mount Stand

Mounting Solutions for POS & Commercial Display System

## PS-3020



### SUGGESTED MODEL



### PS-3010

suitable for counters with height 700-900mm

- Pole stand: height 750mm
- Screen mount: dual screens
- Payment terminal arm: length 220mm
- Printer arm: length 220mm
- Scanner Tray
- Keyboard Tray



### PS-3020

suitable for counters with height 900-1100mm

- Pole stand: height 500mm
- Screen mount: two single-screens
- Payment terminal arm: length 320mm
- Printer arm: length 320mm

## Steel Construction

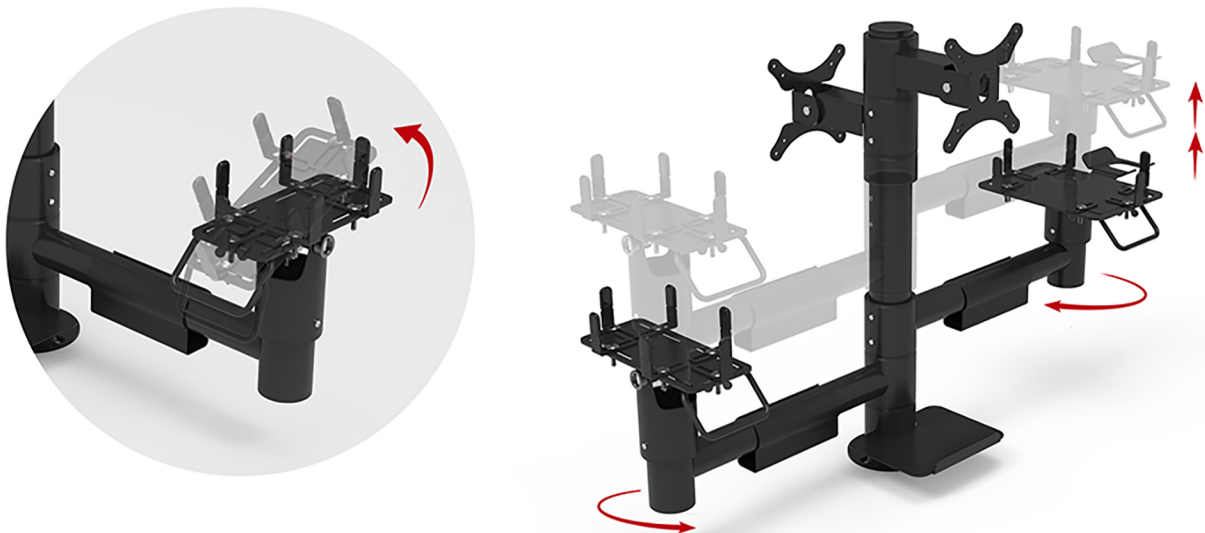
Rugged steel construction for commercial use and strong bearing capacity.



Monitors, payment terminal, printer, scanner gun not provided.

## Flexible Installation

Each holder can rotate 360° around the pole and could be adjusted in height. Holders for screen, payment terminal and printer can be adjustable in angle.



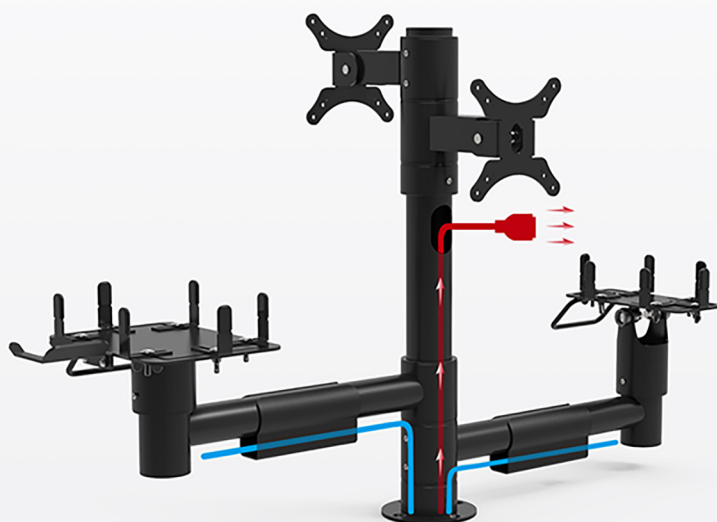


Single or dual holders for screens, adjustable in angle.



## Internal Cable Management

Wire management stand for easy routing of cable. Keep cable neat and out of sight.



# BUILD YOUR SOLUTION

## Pole Stand



H/500mm



H/750mm

## Screen Mount

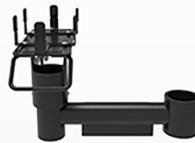


Single screen



Dual screens

## Payment Terminal Tray



L/220mm



L/320mm

## Printer Tray



L/220mm

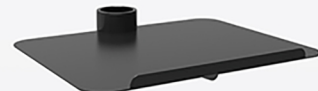


L/320mm

## Multi-purpose Tray



Small Size  
for scanner



Large Size  
for keyboard

## Base Plate



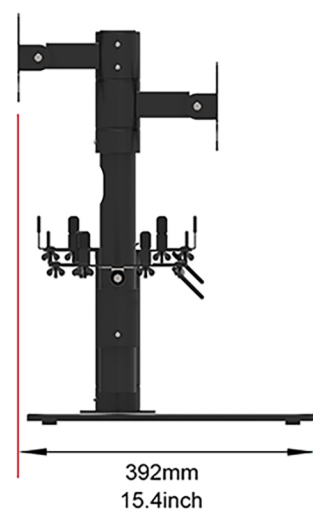
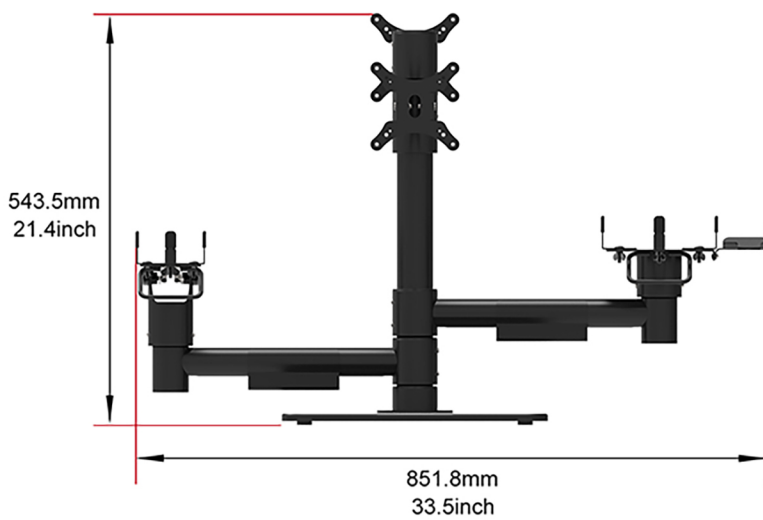
Freestanding Base  
350 x 380 x 10mm

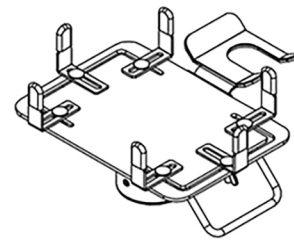
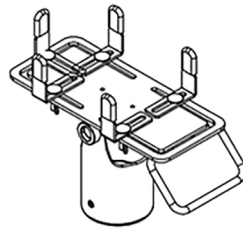
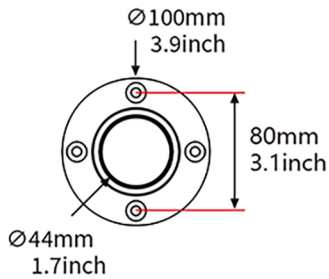
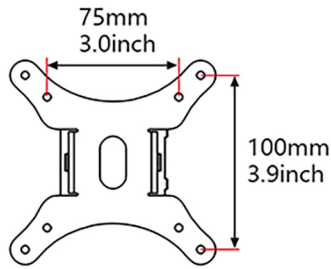


## APPLICATIONS



## SPECIFICATIONS





Card reader fixator size range :  
W(80~135mm/3.1~5.3inch)

Printer fixator size range:  
W(120~160mm/4.7~6.3inch)  
D(190~250mm/7.5~9.8inch)

Model No.	PS-3020
Supported Tablets	13.3" -15.6"
Screen	Dual screen
Dimensions(mm)	Pictured
Dimension(inch)	Pictured
Net Weight	17.2kg
Material	SPCC
Color	Black/White
Customization	Color , Tablet enclosure

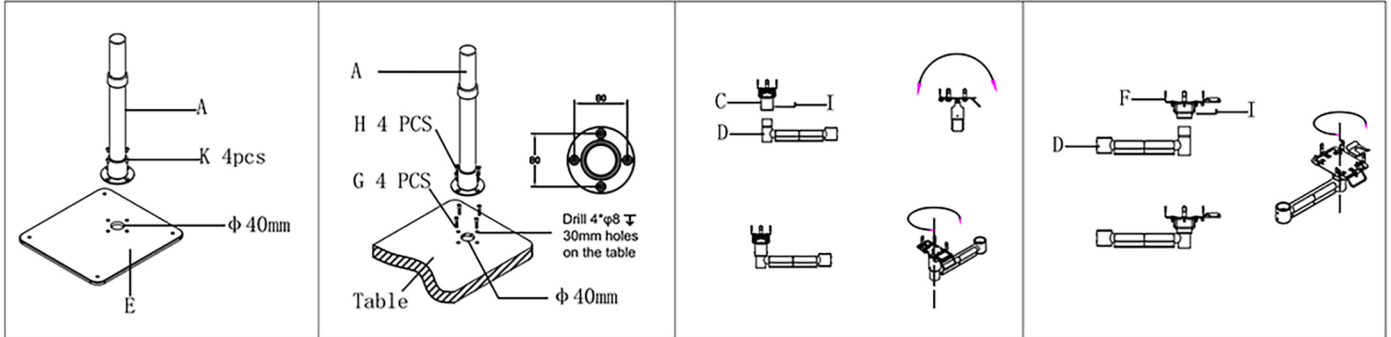
## ASSEMBLY & INSTALLATION

### Packing List

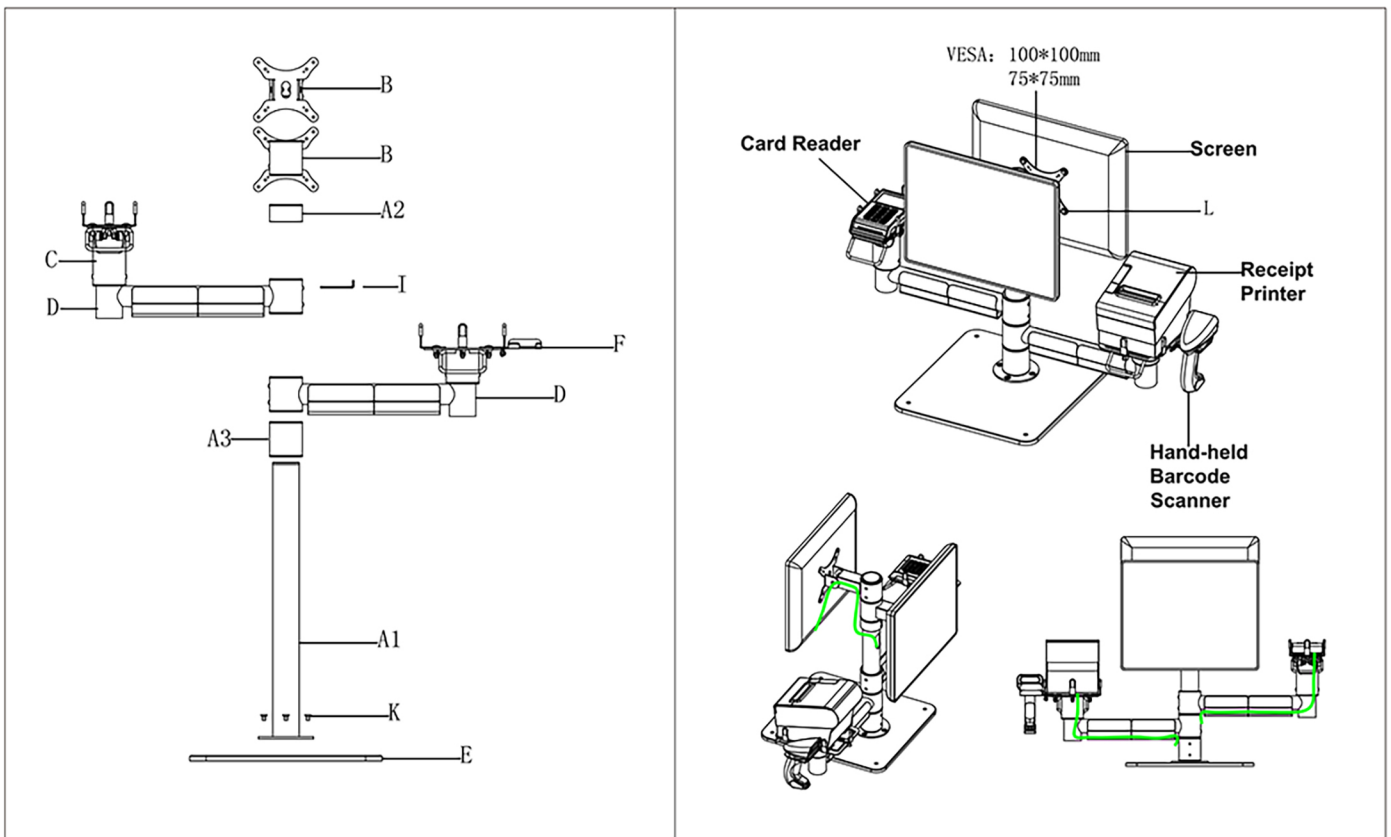
 A=1 PCS	 B=2 PCS	 C=1 PCS	 D=2 PCS	 E=1 PCS	 F=1 PCS
 G=4+2 PCS	 H=4+2 PCS	 I=1 PCS	 J=1 PCS	 K=4+2 PCS	 L=8+2 PCS

**Installation**

**Step1-4:**



**Step5:**



**Inter-Register Communication (M) Sdn. Bhd.** [ 198701004225 (162895-K) ]  
 34, Jalan Tanjung SD 13/1, Bdr Sri Damansara,  
 52200 Kuala Lumpur.  
**Tel:** (6)03-6272 8000 (8 Line) **Fax:** (6)03-6272 3210  
 general@irc.com.my  
 www.irc.com.my

**Authorise Resslerer :**