

Pole Mount Stand

Mounting Solutions for POS & Commercial Display System

PS-3010



SUGGESTED MODEL



PS-3010

suitable for counters with height 700-900mm

- Pole stand: height 750mm
- Screen mount: dual screens
- Payment terminal arm: length 220mm
- Printer arm: length 220mm
- Scanner Tray
- Keyboard Tray



PS-3020

suitable for counters with height 900-1100mm

- Pole stand: height 500mm
- Screen mount: two single-screens
- Payment terminal arm: length 320mm
- Printer arm: length 320mm

Steel Construction

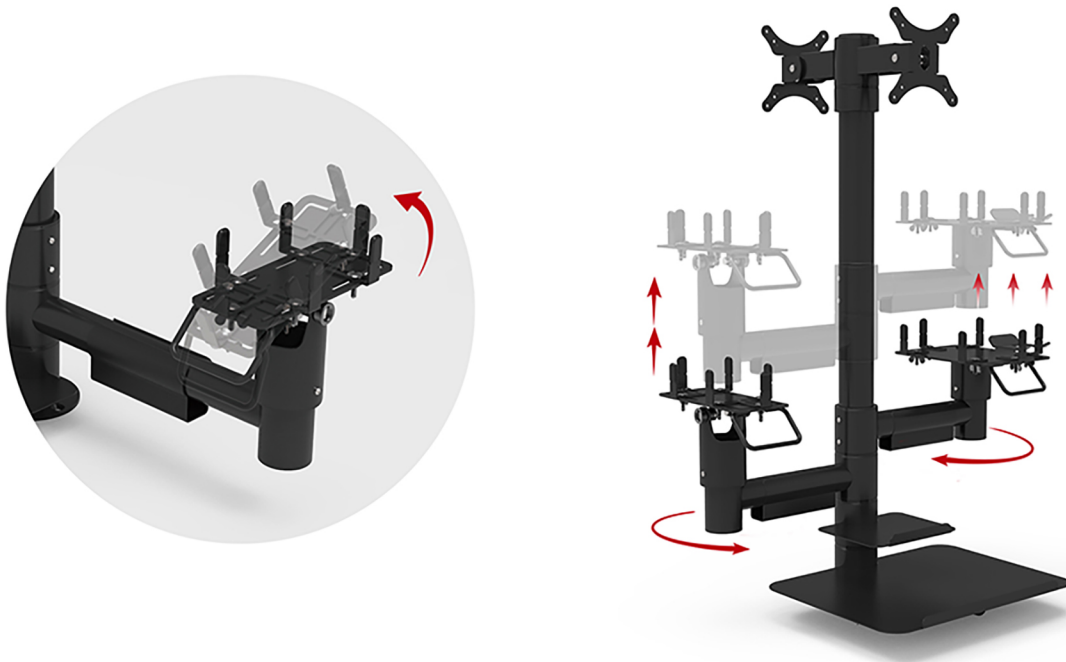
Rugged steel construction for commercial use and strong bearing capacity.



Monitors, payment terminal, printer, scanner gun, barcode scanner, keyboard not provided.

Flexible Installation

Each holder can rotate 360° around the pole and could be adjusted in height. Holders for screen, payment terminal and printer can be adjustable in angle.

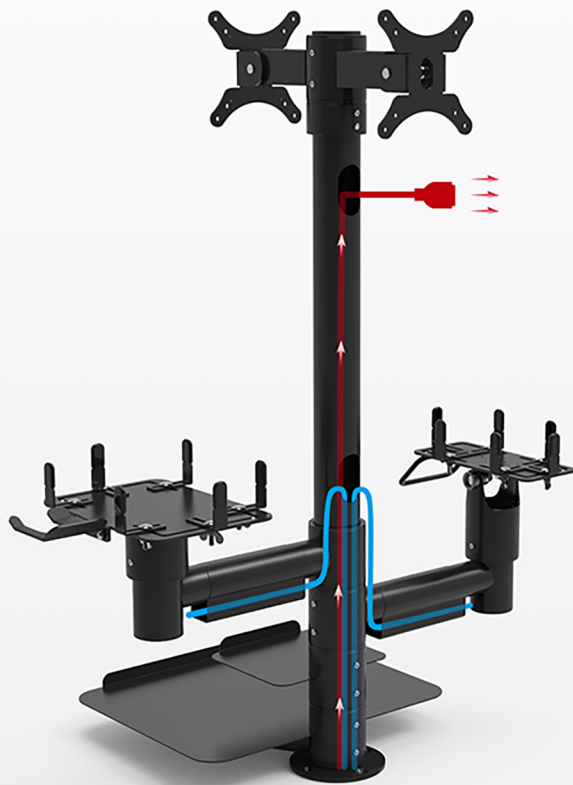


Single or dual holders for screens, adjustable in angle.



Internal Cable Management

Wire management stand for easy routing of cable. Keep cable neat and out of sight.



BUILD YOUR SOLUTION

Pole Stand



H/500mm



H/750mm

Screen Mount

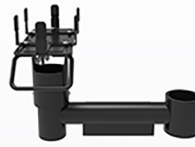


Single screen



Dual screens

Payment Terminal Tray



L/220mm



L/320mm

Printer Tray



L/220mm



L/320mm

Multi-purpose Tray



Small Size
for scanner



Large Size
for keyboard

Base Plate

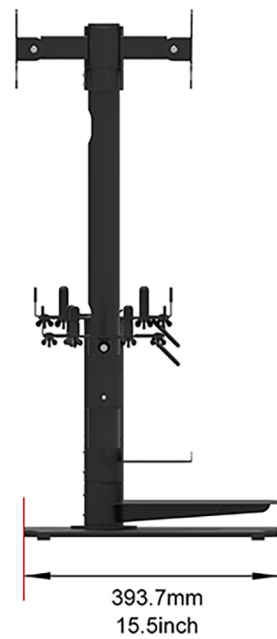
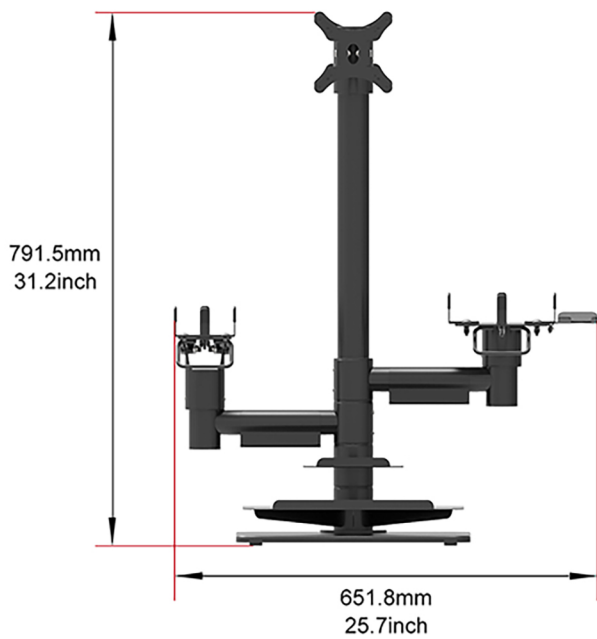


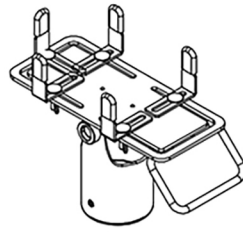
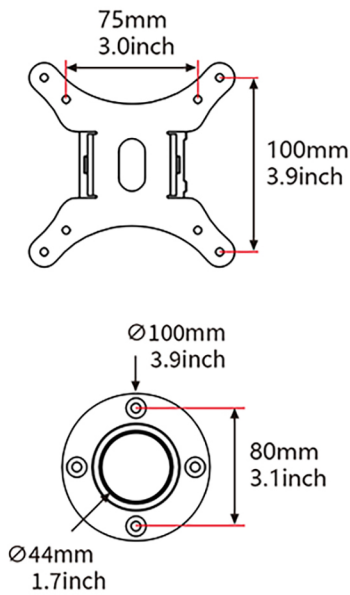
Freestanding Base
350 x 380 x 10mm

APPLICATIONS

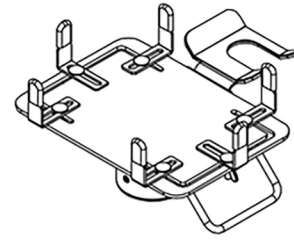


SPECIFICATIONS





Card reader fixator size range :
W(80~135mm/3.1~5.3inch)



Printer fixator size range:
W(120~160mm/4.7~6.3inch)
D(190~250mm/7.5~9.8inch)

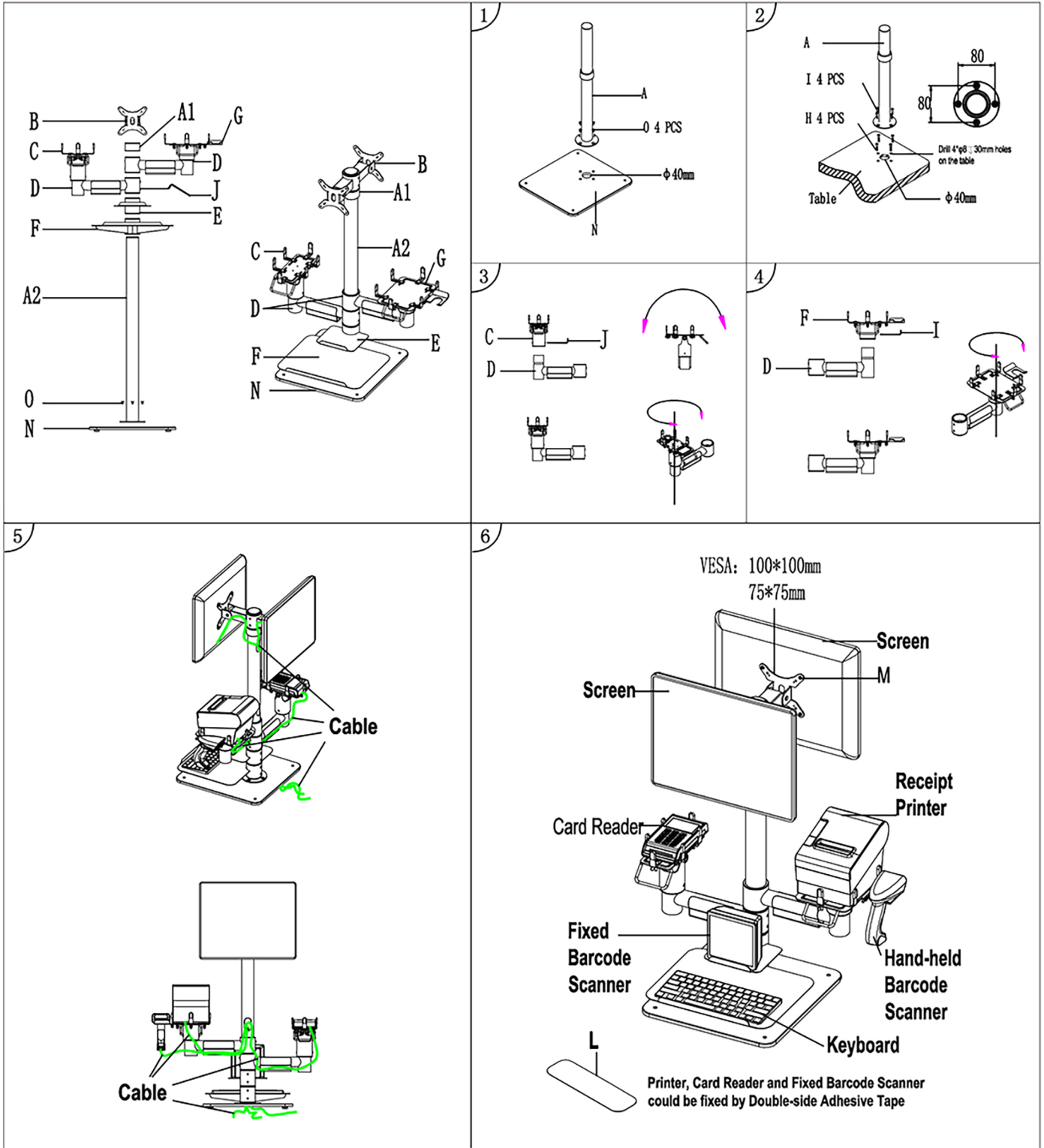
Model No.	PS-3010
Supported Tablets	13.3" -15.6"
Screen	Dual screen
Dimensions(mm)	Pictured
Dimension(inch)	Pictured
Net Weight	18.5kg
Material	SPCC
Color	Black/White
Customization	Color , Tablet enclosure

ASSEMBLY & INSTALLATION

Packing List

A A1 A2 A=1 PCS	B B=1 PCS	C C=1 PCS	D D=2 PCS	E E=1 PCS	F F=1 PCS
G G=1 PCS	H H=4+2 PCS	I I=4+2 PCS	J J=1 PCS	K K=1 PCS	L L=8+2 PCS
M M=8+2 PCS	N N=1 PCS	O O=4+2 PCS			

Installation



Inter-Register Communication (M) Sdn. Bhd. [198701004225 (162895-K)]
 34, Jalan Tanjung SD 13/1, Bdr Sri Damansara,
 52200 Kuala Lumpur.
 Tel: (6)03-6272 8000 (8 Line) Fax: (6)03-6272 3210
 general@irc.com.my
 www.irc.com.my

Authorise Reseller :