

## POS Solution Rotating POS Stand & Flip Top Cash Drawer

Model.PS-3020/FT-460i



### Magical Space Utilization

The pairing of the flip-top cash drawer and the rotating POS stand creates a perfect space utilization!

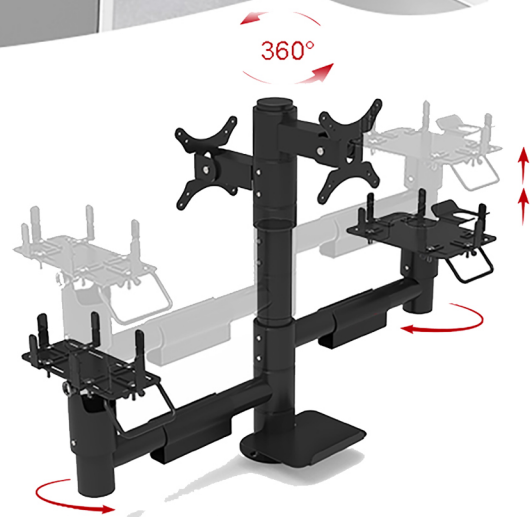
In the traditional cashier's, all checkout devices are laid on the countertop, which looks cramped and messy. In this solution, the cash drawer is hidden under the countertop and other devices are suspended by rotating arms. Double the space utilization without taking up countertop space. Perfect for fashionable shops that value space layout.

Flip-top cash drawer originated from the EU retail checkout habits. Leave a groove on cashier counter, embed the cash drawer with its top lid flush with the countertop, perfectly invisible. The 360-degree rotating POS stand is screwed on the counter, it can be pushed and pulled at will. Different functional arms can be freely chosen to match various checkout devices such as card reader, receipt printer, scanner, keyboard, etc.

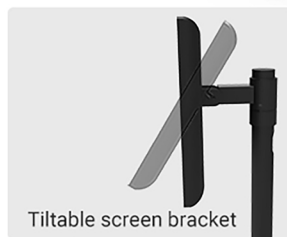


### Multifunctional Rotating POS Stand Model. PS-3020

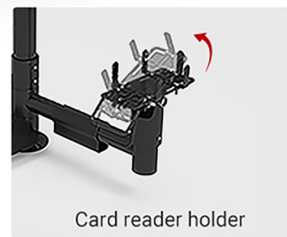
Optional different arms for installing devices:  
screen(double or single), card reader,  
printer(with scanner gun), scanner, keyboard.  
Freely selected and matched as you need.



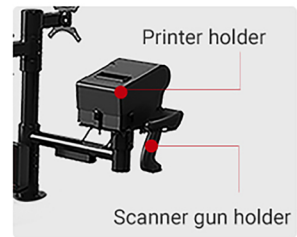
[More details >](#)



Tiltable screen bracket



Card reader holder



Printer holder  
Scanner gun holder

### Flip Top Cash Drawer Model. FT-460i

Embedded installation takes up less space.  
Large capacity in small size.



[More details >](#)



Removable cash tray and coin cups



Lockable cash tray

# APPLICATIONS



Supermarket



Drugstore



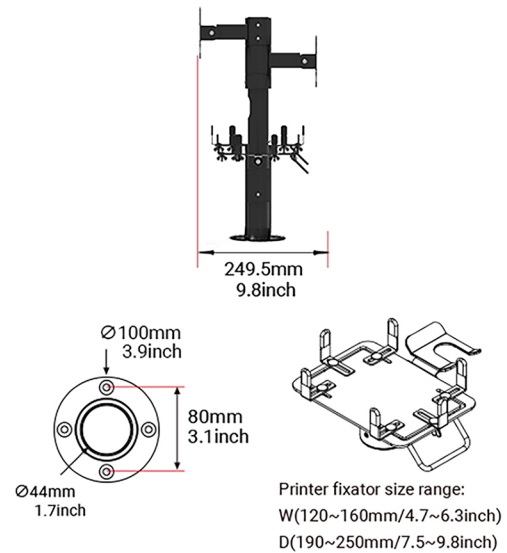
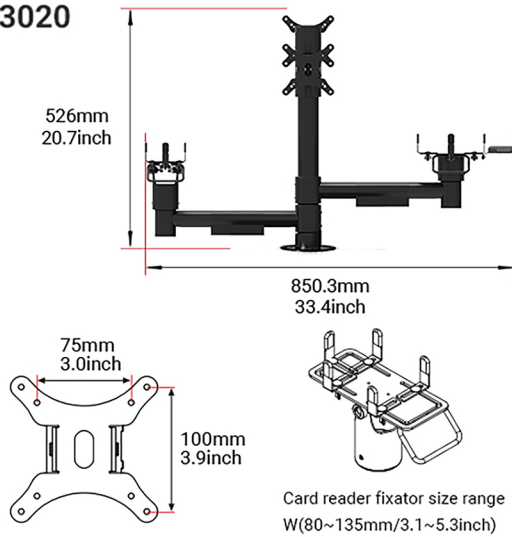
Clothing Store



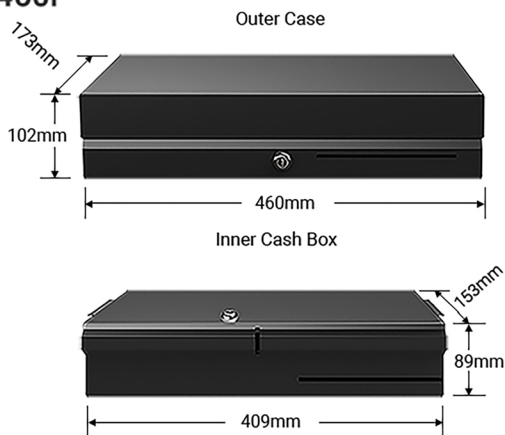
Restaurant

# SPECIFICATIONS

## Model. PS-3020



## Model. FT-460i



|                      |   |
|----------------------|---|
| Model No.            | PS-3020 (POS Stand)   |
| Tablet Compatibility | 13.3"-15.6"   |
| Net Weight           | 17.2kg  |
| Material             | SPCC  |
| Color                | Black   |
| Customization        | Color , Tablet enclosure                                    |
| Model No.            | FT-460i (Cash Drawer)                                       |
| Dimensions           | 460 L x 173 W x 102 H(mm)                                   |
| Dimensions           | 18.1 L x 6.8 W x 4 H(inch)                                  |
| Color                | Black or customized   |
| Material             | SPCC (body), ABS Plastic (bill slot dividers and coin cups) |
| Surface              | Textured Powder Coat  |
| Net Weight           | 7.4kg   |
| Cash Tray            | 5 Bills / 8 Coins   |
| Media Slot           | 1   |
| Lockset              | 3-Position Key Lock (body), 2-Position Key Lock (cash tray) |
| Interface            | RJ11  |
| Life Cycle           | 1 Million Cycles  |
| Options              | Micro Switch  |
| Customization        | Voltage, Interface, Color                                   |

