

# DUAL-SCREEN VERTICAL ORDERING KIOSK

**KH-2720 / KH-3220**

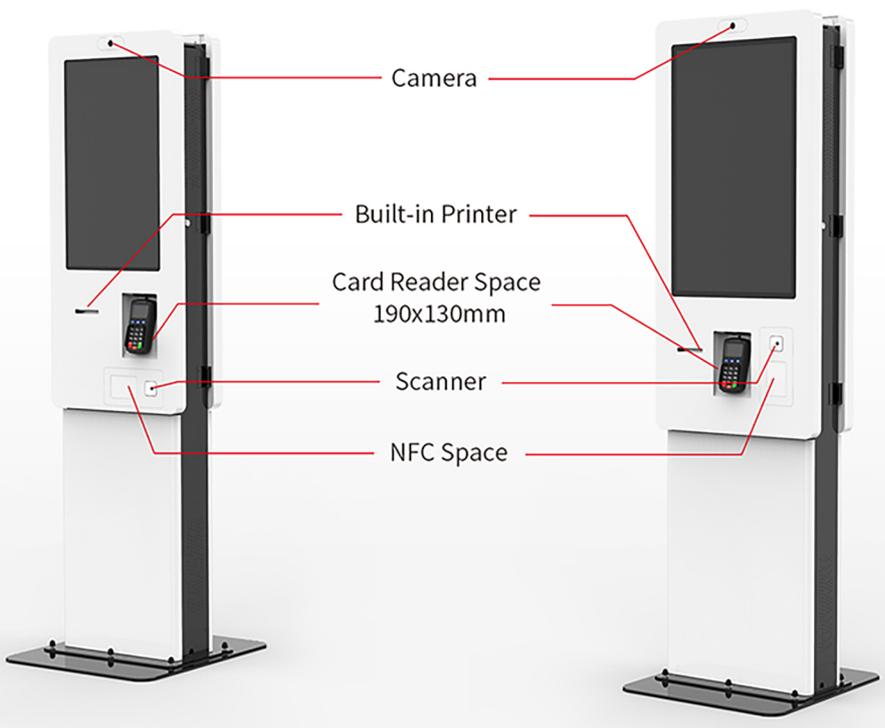
1080P HD Commercial Display Screen  
10-point Capacitive Touch  
Option: 27" Screen/32" Screen



## FEATURES

**KH-2720 (27" Screen)**

**KH-3220 (32" Screen)**



## Front-rear Dual Screen For Double Efficiency

The kiosk body is state-of-the-art metal configuration adopted, for vertical flooring application, slim figure with strong stable base to keep safe in public, and small in occupation.

The kiosk has of front-rear dual screens, highly improves the commercial running efficiency and also space occupation, it is very suitable for catering industry like fast food restaurant, snack bar, coffee bar etc.



## Perfect Visual & Lightning Touch

The kiosk is allocated with high brand HD 1080P commercial display screen, offering 178° viewing and exquisite image, bringing you excellent visual enjoyment. The industrial control motherboard supports 7x24 hours running, stable and durable.

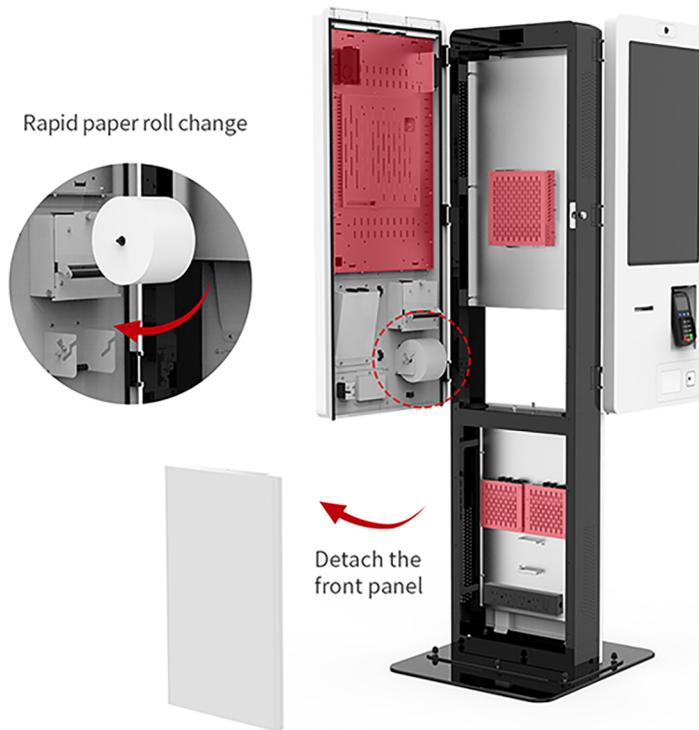
10 point capacitive touch, immediate response, and sensitive to kinds of gestures by point or slide touch with nice usage experience.



## Internal Modularization

Display screen is configured with side lockable door for easy daily maintenance and printing paper change.

Internal electronic devices are individually located with metal mounting bracket, for non-interference working environment and safety, and also easy maintenance and replacement.



## Bilateral Speaker Enhance Marketing Effect

The kiosk is equipped with speakers on two sides, and supports more than 30 media broadcast modes, offering fabulous using experience and improving brand image of the store.

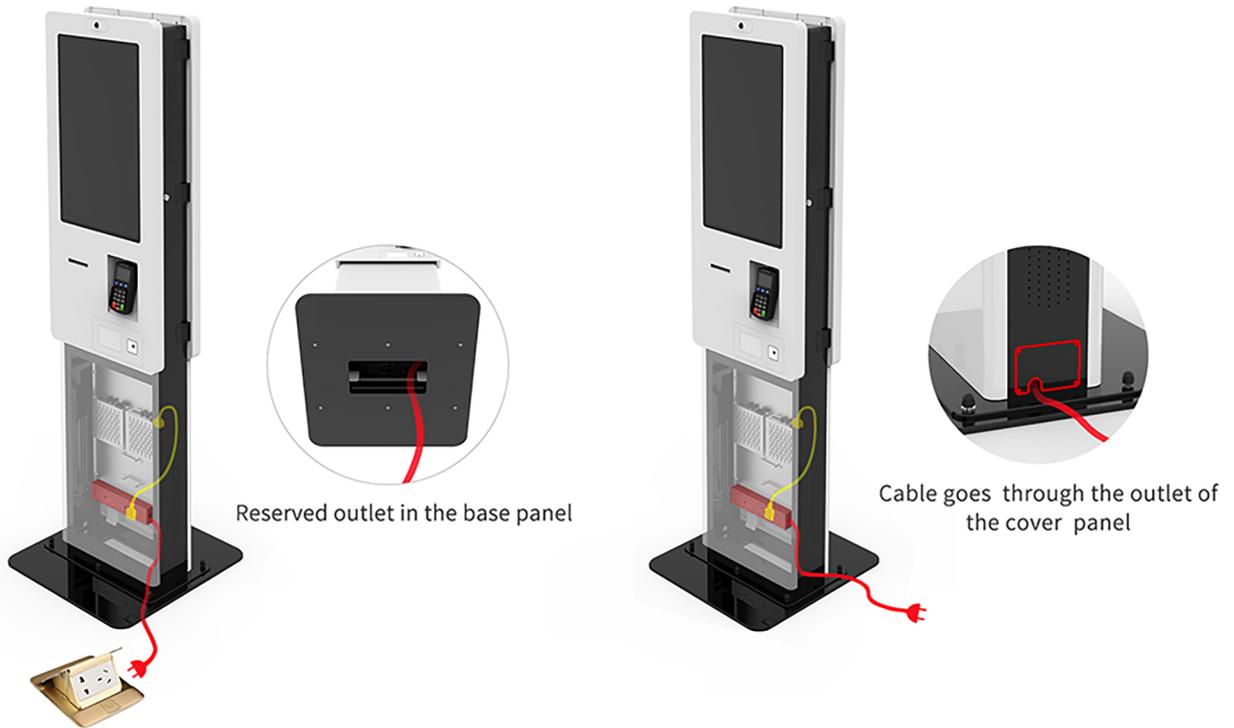


# Hidden Power Routing

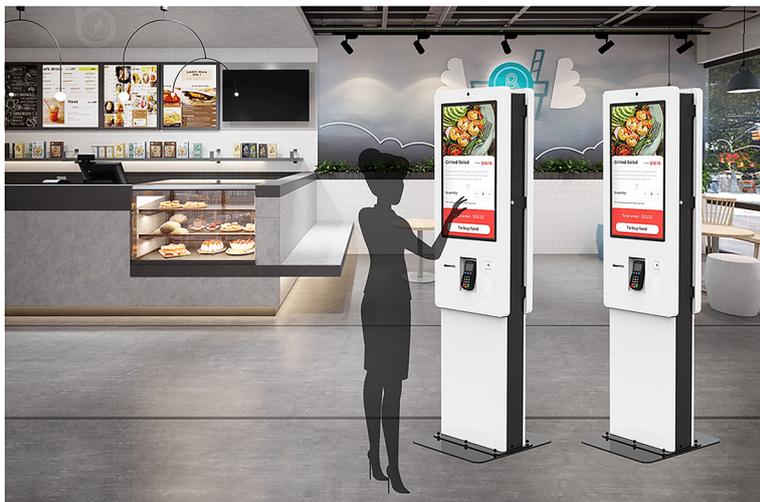
## Two options for cable routing

**Option 1:** In the location of the kiosk where there is plug, just make the reserved outlet in the base align to the plug, then inserts the cable into the plug. No power cord is exposed.

**Option 2:** Should location without plug, the cable goes through inner and extends to side of the stand from the bottom, to reduce the cable exposed. That makes the application space safe and neat.



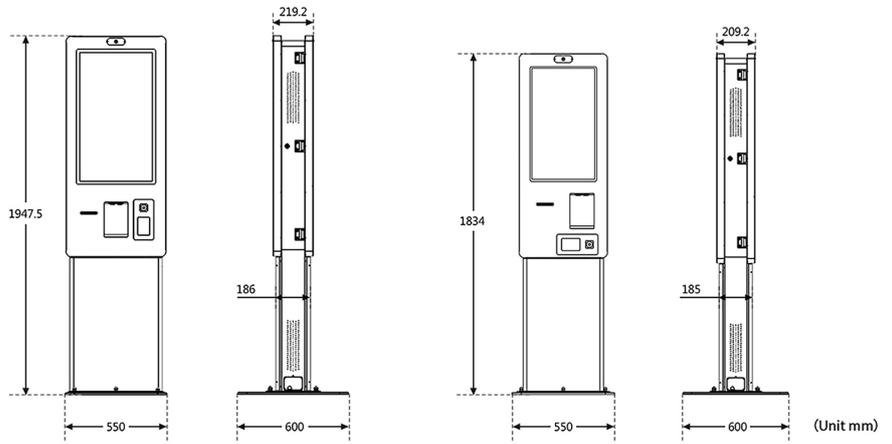
## APPLICATIONS



# SPECIFICATIONS

32 inch

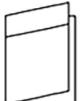
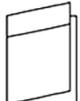
27 inch



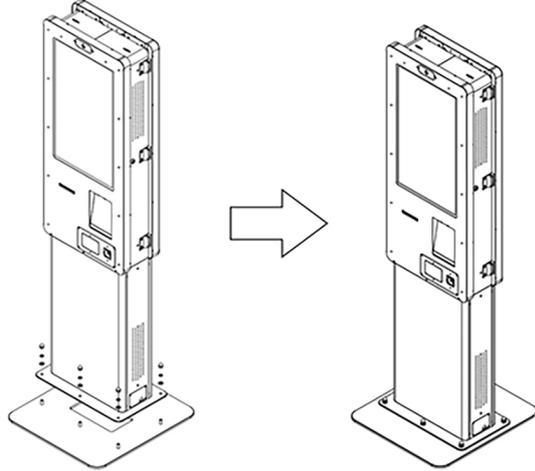
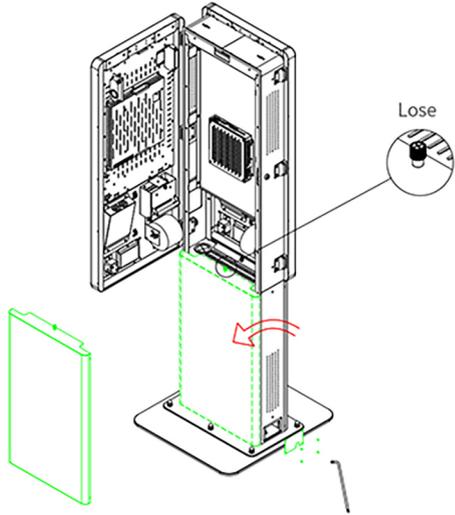
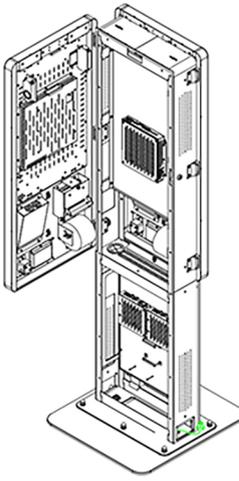
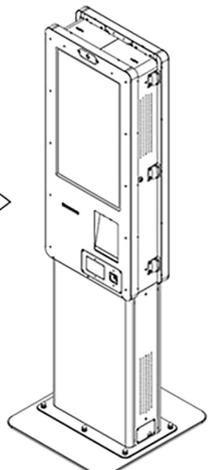
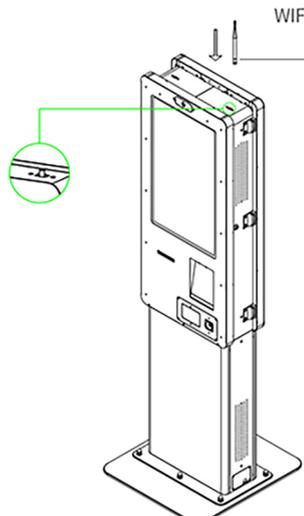
Product name		32" Dual-screen Vertical Ordering Kiosk		27" Dual-screen Vertical Ordering Kiosk	
OS Support	Operating System	WIN 10 (trial version)	Android 7.1	WIN 10 (trial version)	Android 7.1
	CPU	Intel Celeron J1900 quad-core 2.0G	RK3288 Cortex-A17 quad-core 1.8 GHz	Intel Celeron J1900 quad-core 2.0G	RK3288 Cortex-A17 quad-core 1.8 GHz
	System Memory	4G	2G/4G	4G	2G/4G
	Disk	64G/128G/256G(SSD)	8G/16G/32G/64G	64G/128G/256G(SSD)	8G/16G/32G/64G
	Speaker	5W*2	5W*2	5W*2	5W*2
	Interface	USB*8/RJ45*1	USB*6/RJ45*1	USB*8/RJ45*1	USB*6/RJ45*1
	Network	Ethernet/WIFI	Ethernet/WIFI	Ethernet/WIFI	Ethernet/WIFI
Touch screen	Type	PCAP 10points		PCAP 10points	
	Response time	10ms		10ms	
LCD	Type	TFT-LCD		TFT-LCD	
	Contrast Ratio	1100:1		3000:1	
	Brightness	400cd/m <sup>2</sup>		300cd/m <sup>2</sup>	
	Response time	10ms		12ms	
	Max Resolution	1920×1080		1920×1080	
	Viewing Angle	H178° V178°		H178° V178°	
	Aspect Ratio	16:9		16:9	
	Display Colors	16.7M		16.7M	
	Refresh Rate	60Hz		60Hz	
	Panel Life	30000 hours		30000hours	
Built-in Devices	Printer	80mm thermal printer with auto cutter		80mm thermal printer with auto cutter	
	Scanner	2D, Area-Imaging Scanner		2D, Area-Imaging Scanner	
	Camera	2 million pixels,prime lens,1920*1080@30fps		2 million pixels,prime lens,1920*1080@30fps	
	Card reader	Customer purchase		Customer purchase	
Power	Voltage	100-240VAC , 50/60HZ		100-240VAC , 50/60HZ	
	Power Consumption	<240W		<220W	
Enclosure	Material	SPCC		SPCC	
	Surface	Powder coaying		Powder coaying	
	Colour	Black or Customized		Black or Customized	
	Overall Size(mm)	550×600×1948		550×600×1834	
	Net Weight	113.1kg		98.3kg	
	Package(mm)	2090×670×495		1975×600×495	
	Gross Weight	135.5kg		118.7kg	
Application	Application	Indoor		Indoor	
	Working temperature	0~40°C		0~40°C	
	Storage temperature	-20~60°C		-20~60°C	
	Working humidity	20%~80%		20%~80%	
	Storage humidity	10%~90%		10%~90%	

# ASSEMBLY & INSTALLATION

## Packing List

 Key *2PCS	 Typing paper Roller *1PCS	 Power Cord *1PCS	 User Manual *1PCS	 Packing list *1PCS	 WIFI Antenna *1PCS
 Base *1PCS	 Cap nut M10 *6PCS	 M10 Spring washer *6PCS	 M10 Flat Washer *6PCS	 Wrench of torx drive T10 *1PCS	

## Installation

<p>Placement Options</p> <p>•Floor installation</p> 		<p>Disassembly front-panel and coverplate</p> 	
<p>Arrange the cable</p> 	<p>Install front-panel and coverplate</p> 	<p>(WIFI)Install the antenna</p>  <p>WIFI Antenna</p> <p>Insert the antenna to USB port properly as the illustrated pic</p>	

