

27" SELF-ORDERING KIOSK

Queue/Ticket Kiosk

KH-2700

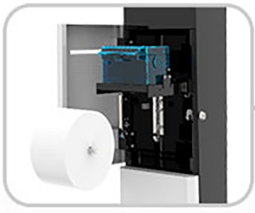
27" touchscreen, 10 points projective capacitive touch
 Built-in high speed printer with thick paper
 Support Ethernet and WIFI
 Option: Camera, scanner, card reader holder



FEATURES



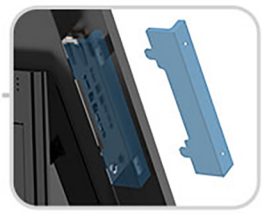
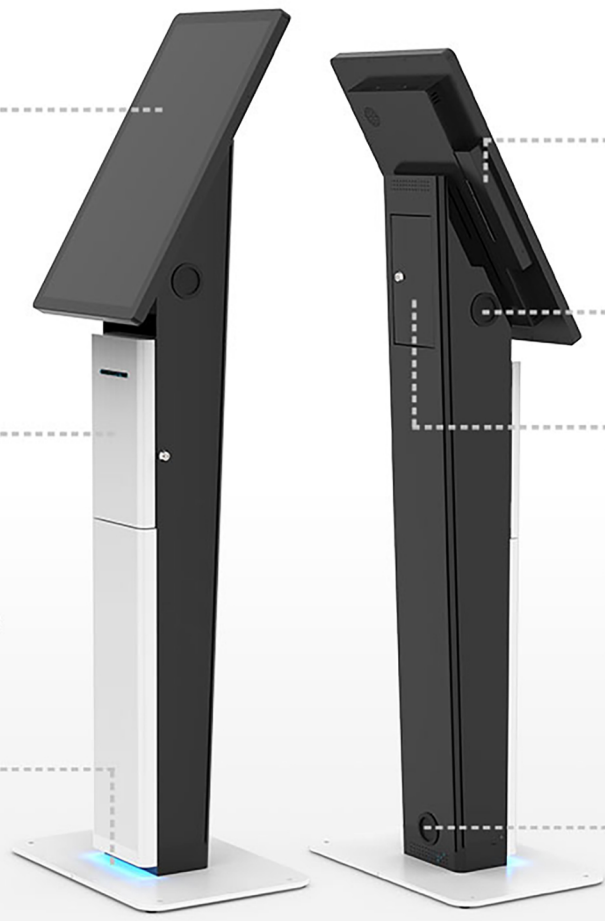
27" Touchscreen
 Support landscape or portrait mounting



Built-in Printer
 80mm thermal printer with auto-cutter and front-open door



LED Atmosphere Lamp



Cable Cover
 Keep wires and switches from being damaged in public



Lockable Cable Compartment
 For internal wiring



Wire Routing Hole



Excellent Display and Fast Interactive Experience

27 inch original commercial touchscreen, with 1080P HD vision, 178° wide view, 10 points capacitive touch in lightning response, smooth operation performance comparable to tablets and mobile phones, equipment with two speaker on both sides, bringing people excellent experience in the commercial application.

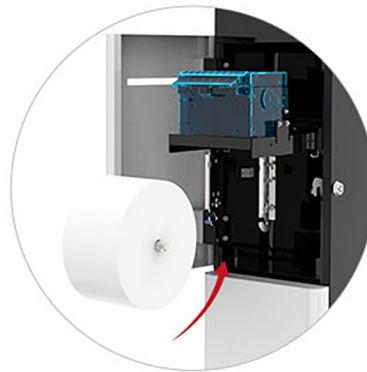
Industrial control board with stable performance, maintains 24 hours uninterrupted working throughout the year.

High Speed Printing Quiet Operation

Built-in auto thermal printer, with roll paper size in 80mm*150mm.

Featured with high-speed printing, quiet operation, paper anti-blocking & anti-tragging etc.

A front door is designed for the printer, easy for paper change.



2D Camera

Card reader holder

Infrared scanner

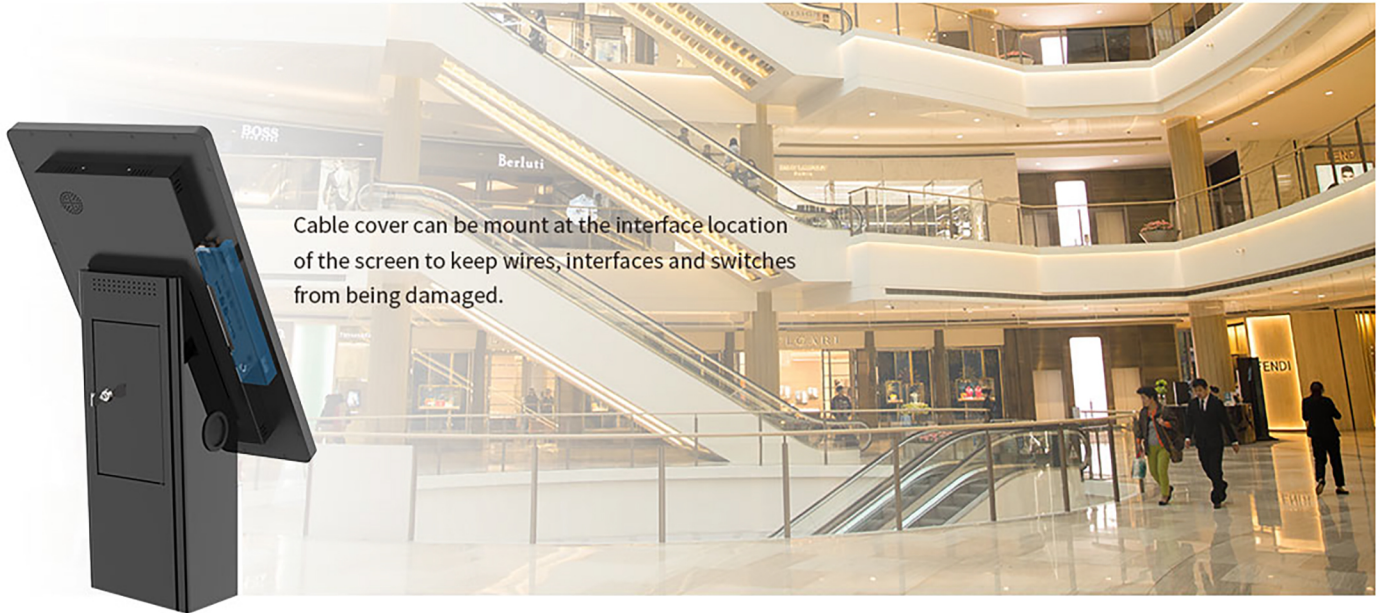
More options of Modules and Accessories

Should you require more integrated functions, we also offer custom design and realise the ideal solution for you.

We provide rich modules and accessories to meet kinds of application, such as 2D camera, Infrared scanner, and card reader holder for option. More custom devices are available.

Value Application Safety

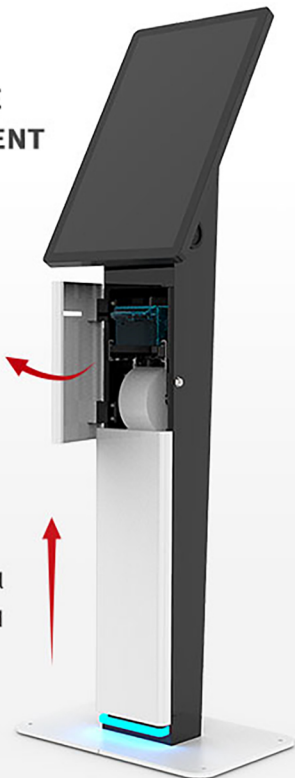
From back panel of the screen to the base, all are applied for heavy-duty industrial steel, strong and stable with great anti-destructive ability.



Cable cover can be mount at the interface location of the screen to keep wires, interfaces and switches from being damaged.

OPEN CABLE COMPARTMENT

Step 1
Open the door of printer room



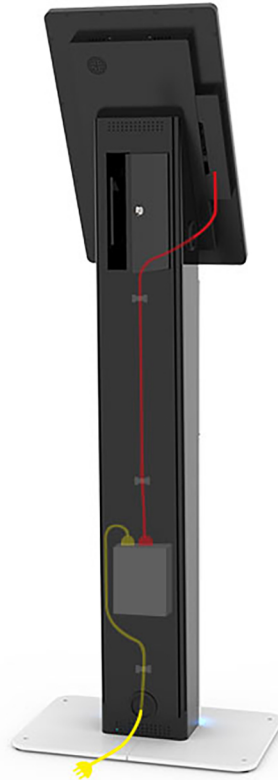
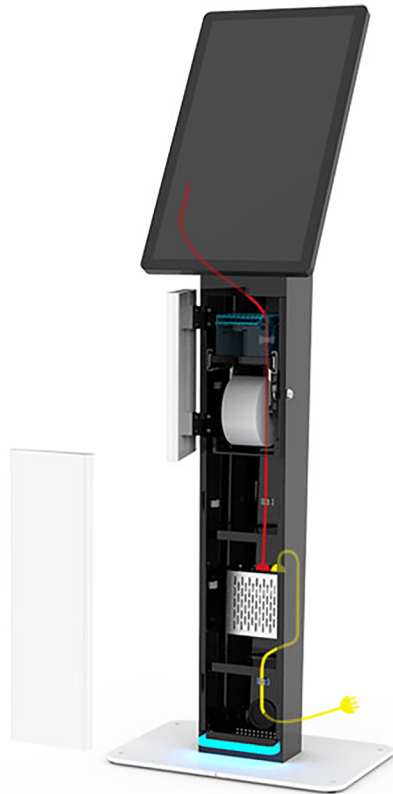
Step 2
Lift the front panel of lower stand and take it out



Lockable door of printer compartment, cable compartment and stand.

There is large interior free space inside the stand, available not only for internal wiring, but also as storage space for adapters, sockets, small electronic devices or tools etc., it is neat and easy for regular maintenance.

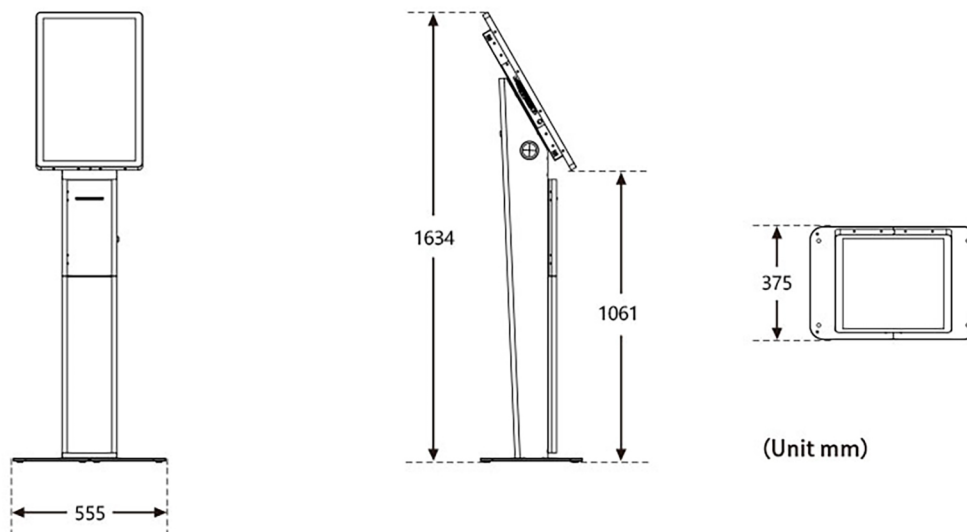
CABLE ROUTING



APPLICATIONS



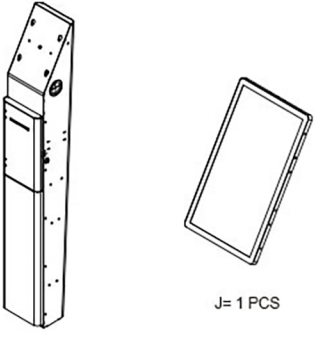








SPECIFICATIONS



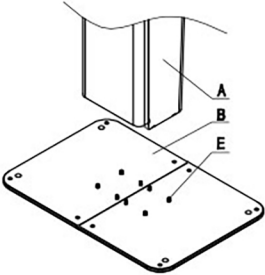
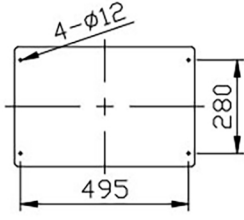
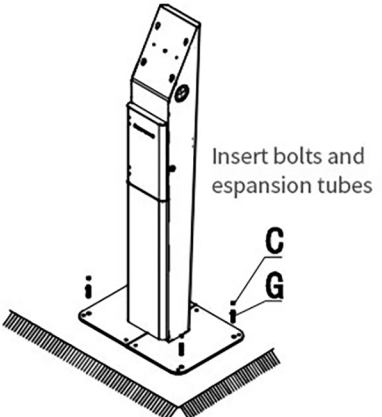
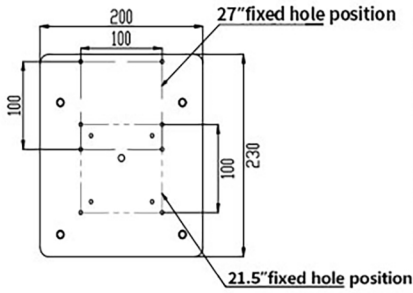
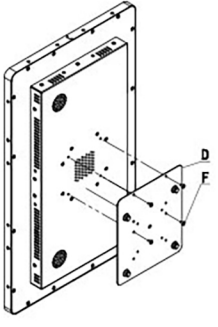
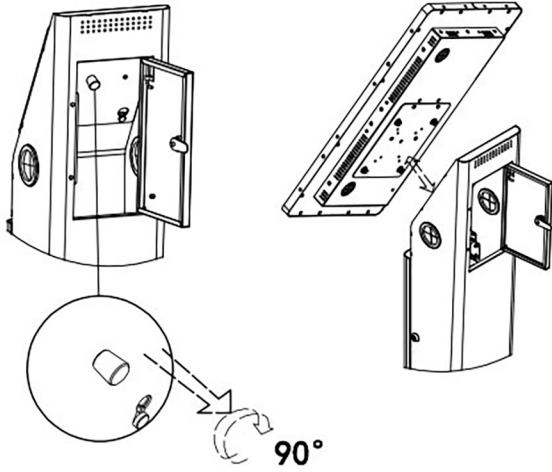
OS Support			
Operating System	WIN 10 (trial version)	Android 7.1 and higher version	
CPU	Intel Celeron J1900 Quad-core 2.0G	RK3288 Cortex-A17 Quad-core, 1.8 GHz	
System Memory	4G	2G/4G	
Disk	64G/128G/256G(SSD)	8G/16G/32G/64G	
Interface			
Speaker	5W*2	5W*2	
Interface	USB*4/RJ45*1	USB*2/RJ45*1	
Network	Ethernet/WIFI	Ethernet/WIFI	
Touch screen			
Type	PCAP 10points	Response time	10ms
LCD			
Type	TFT-LCD	Contrast Ratio	3000:1
Screen Size	27"	Response time	12ms
Max Resolution	1920x1080	Viewing Angle	H178° V178°
Aspect Ratio	16:9	Display Colors	16.7M
Brightness	300cd/m2	Refresh Rate	60Hz
Panel Life	30000 hours		
Built-in Devices			
Printer	80mm thermal printer with auto cutter		
Power			
Voltage	100-240VAC , 50/60HZ	Power Consumption	<50W
Enclosure			
Material	SPCC	Surface	Powder coating
Overall Size (mm)	L555×W375×H1634	Net Weight	43.5kg
Package (mm)	L1470×W368×H285 (stand) , L770×W220×H570 (only 27"monitor)		
Gross Weigh	39kg (stand) , 11.5kg (only 27"monitor)		
Application			
Working temperature	0~40°C	Storage temperature	-20~60°C
Working humidity	20%~80%	Storage humidity	10%~90%
Application	Indoor		

ASSEMBLY & INSTALLATION

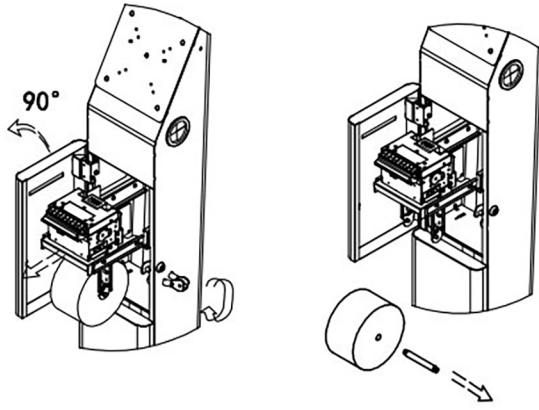
Packing List

 <p>A= 1 PCS</p> <p>J= 1 PCS</p>	 <p>B= 2 PCS</p>	 <p>C= 4 PCS</p>	 <p>D= 1 PCS</p>	 <p>E= 10 PCS/ M6*16</p>
	 <p>F= 6 PCS/M4*8</p>	 <p>G= 4 PCS</p>	 <p>H= 4 PCS</p>	 <p>I= 1 PCS</p>

Installation

<p>Base assembly</p>   <p>Drill holes in the ground Use the $\varnothing 12$ drill bit to drill holes with the depth of 60mm and the distance should be the same as shown.</p>  <p>Insert bolts and expansion tubes</p>	
<p>Screen assembly(21.5"-27")</p>  	<p>Mounting</p>  <p>90°</p>

Printer 1 for paper (standard)



Printer 2 for paper (customized)

