

KH-1900 KH-1900C



FEATURES



Simple and fashion design to fit for commercial space in different styles.



19 inch capacitance screen, bring you high sensitivity of smoothly touching experience.



Flexible choices of windows and android system, compatible with multiple softwares, adequate expanding space.



All metal construction, safe and durable.

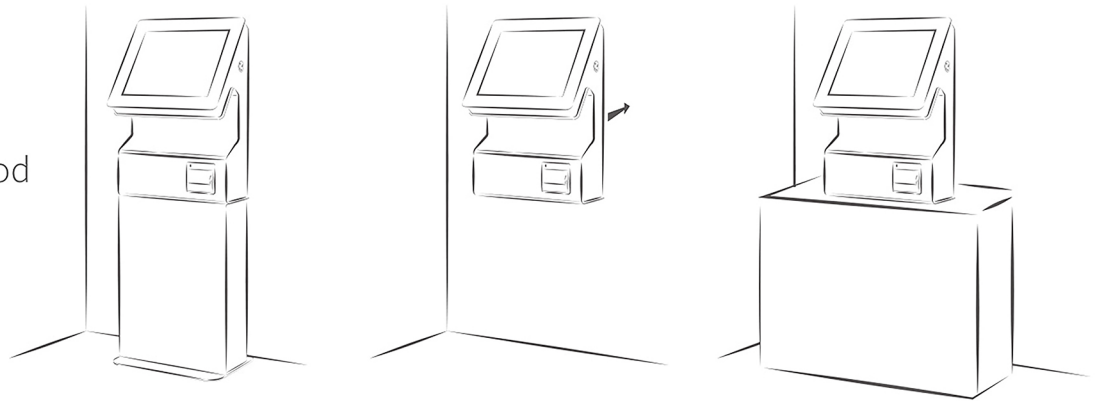


Quality leadership with high hardware configuration of industrial grade.



Three installation method: floor stand, wall mount and counter top, adapt to various scenes.

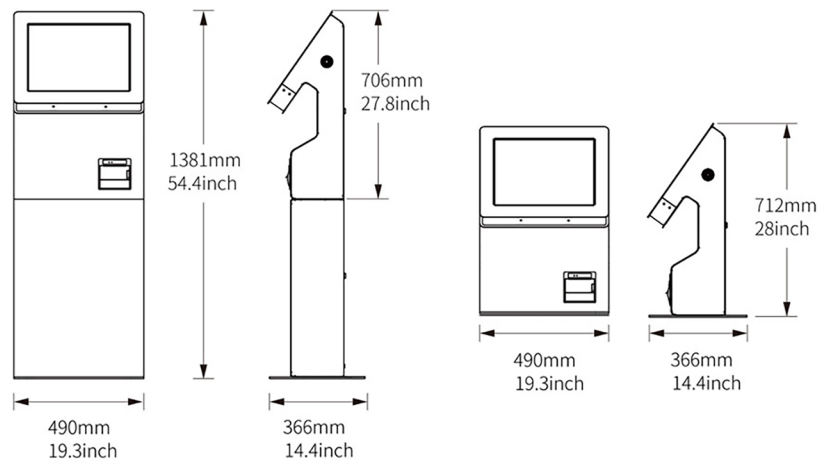
Three installation method



APPLICATIONS



SPECIFICATIONS



OS Support			
Operating System	WIN 10 (trial version)	Android 7.1	
CPU	Intel Celeron J1900 Quad-core 2G	RK3288 Cortex-A17 Quad-core, 1.8 GHz	
System Memory	4G	2G/4G	
Disk	64G/128G/256G(SSD)	8G/16G/32G/64G	
Interface			
Speaker	5W*2	5W*2	
Interface	USB*3/RJ45*1	USB*2/RJ45*1	
Network	Ethernet/WIFI	Ethernet/WIFI	
Touch screen			
Type	PCAP 10points	Response time	10ms
LCD			
Type	TFT-LCD	Contrast Ratio	1000:1
Screen Size	19"	Response time	5ms
Max Resolution	1280x1024	Viewing Angle	H178° V178°
Aspect Ratio	5:4	Display Colors	16.7M
Brightness	250cd/m ²	Refresh Rate	60Hz
Panel Life	30000 hours		
Built-in Devices			
Printer	80mm thermal printer with auto cutter		
Power			
Voltage	100-240VAC , 50/60HZ	Power Consumption	<85W
Enclosure			
Material	SPCC	Surface	Powder coating
Overall Size (mm)	Floor stand: L490×W366×H1381 Wall mount: L490×W397×H706 Desktop: L490×W366×H712	Net Weight	Floor stand: 47kg Wall mount: 26kg Desktop: 31kg
Package (mm)	Floor stand: L1490×W600×H475 (carton) L1510×W615×H580 (Wooden case) Wall mount: L830×W620×H425 (carton) Desktop: L830×W620×H425 (carton)	Gross Weight	Floor stand: 64kg(carton)/91kg (Wooden case) Wall mount: 32kg (carton) Desktop: 37kg(carton)
Application			
Working temperature	0~40°C	Storage temperature	-20~60°C
Working humidity	20%~80%	Storage humidity	10%~90%
Application	Indoor		