



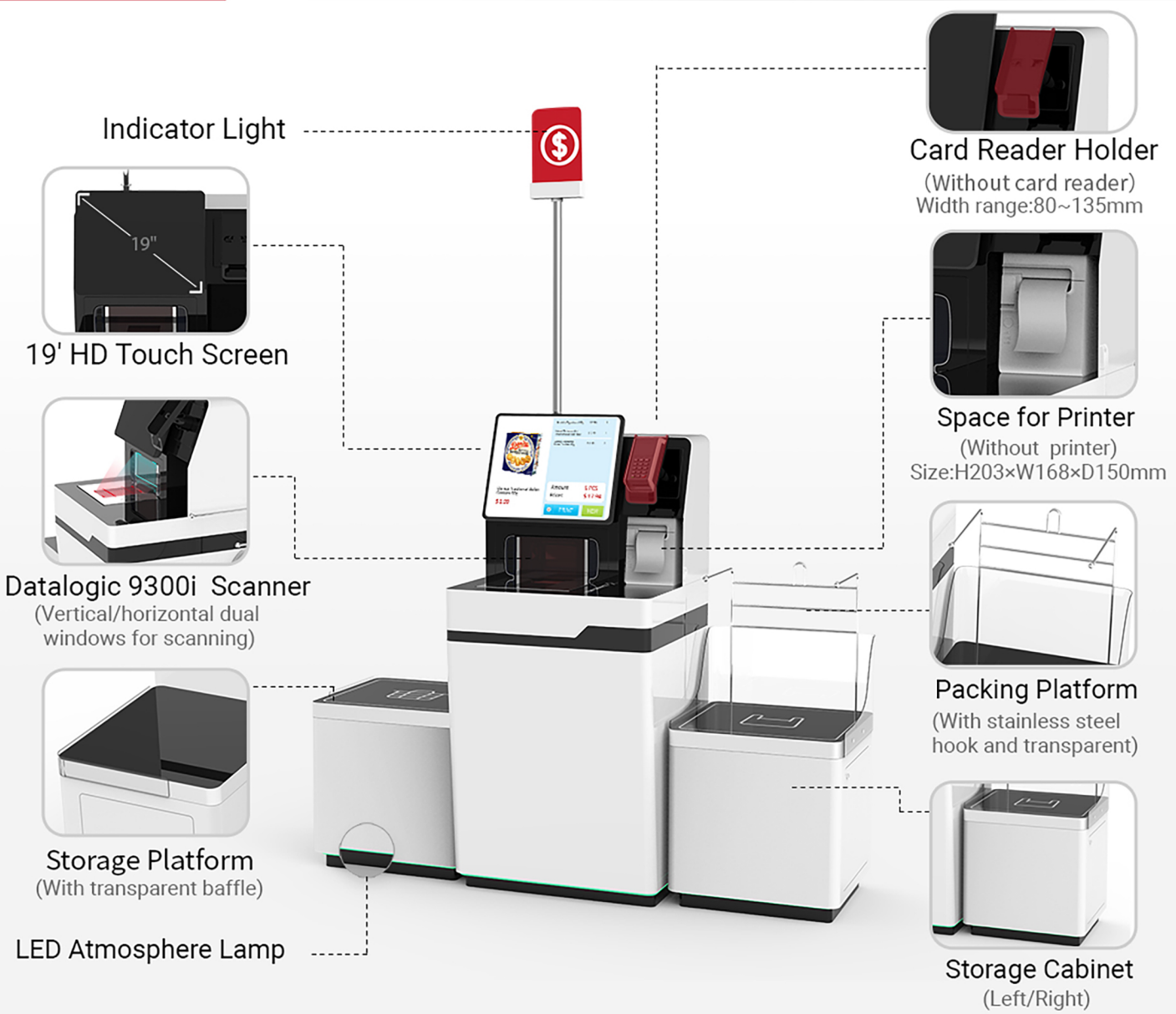
19" Self-checkout Kiosk

KR-1910

- Multi-touch screen, easy operation and fast response
- Built-in Datalogic 9300i 2D high performance scanner, equipped with horizontal and vertical dual windows for scanning
- Two storage platforms on left and right sides
- Combined with two hidden storage cabinets



FEATURES



Fashion Self Checkout Counter Suitable for Large and Medium Retail Space

The combined self-service checkout kiosk KR-1910, is composed of one main and two side cabinets, with fluent and stable structure. It is suitable for large and medium retail places, such as supermarkets, shopping centers and brand stores with abundant space.

The spacious integrated operation platform offers free self check out experience at complete procedures: storage, code scanning, payment, ticket printing, packing and so on.

The sheet metal fabricated kiosk is so extraordinary, with fluent streamline figure, black and white appearance decorated with stainless steel lining panel in silver luster. It greatly enhances the image of application space.



Spacious Operation Space for Fast Scanning and Packing

Three integrated counter bears big space for easy comfortable checkout.

The self-checkout kiosk combines 19" touch screen, dual scanning windows, card reader holder and space of printer, offering easy operation for scanning, payment and printing.

Two individual spacious platforms on both sides support coherent checkout from goods holding, scanning, and packing with considered design.



Dual Scanning Windows High Sensitive Scanner

Dual windows scanning platform, all-around image scanning ability, can read all kinds of barcode on presswork, mobile phone or card coupons with high sensitivity in all directions. It substantially improves checkout efficiency.



Printed matter



Mobile phone



Card



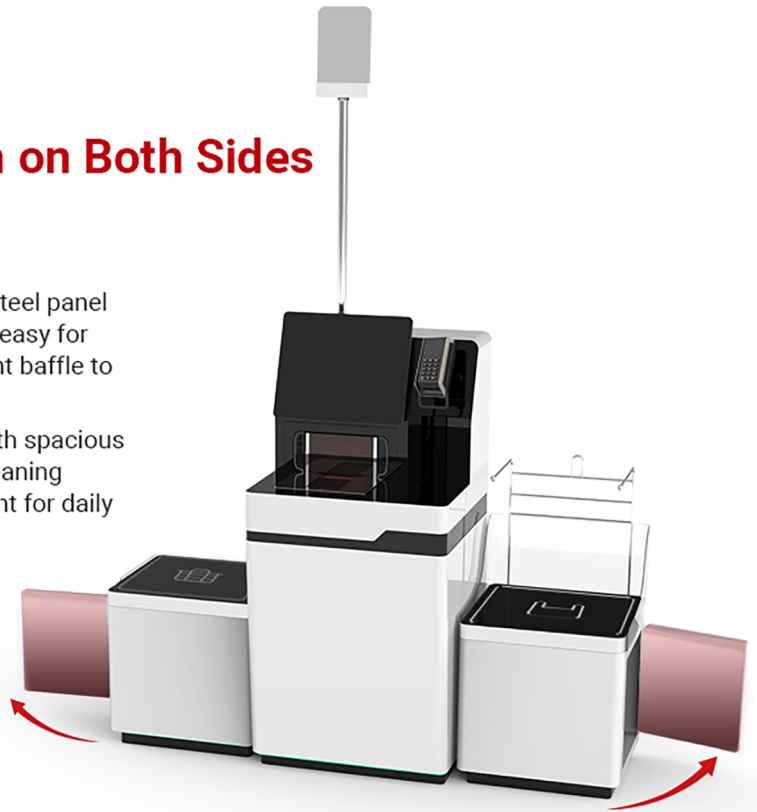
The Inclined Design of the Front Kiosk for Ergonomic Standing

The inner inclined design on main cabinet reserves standing space, which is more suitable for customers' standing posture and convenient for operation.

Individual Storage Platform on Both Sides Hidden Storage Space

Dual storage platform, configured with stainless steel panel combined toughened glass on top, is beautiful and easy for cleaning. And the edges is designed with transparent baffle to keep goods from slip.

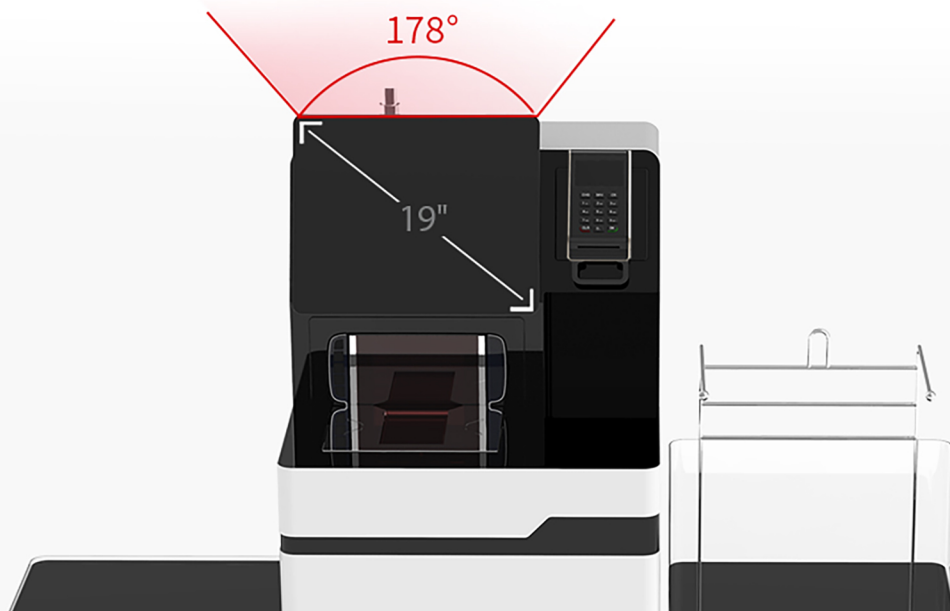
Each storage platform is also a lockable cabinet, with spacious storage space for shopping bags, printing paper, cleaning items, tools and accessories etc. It is very convenient for daily usage.



HD Touch Screen Comfortable Operation Experience

19" HD original commercial screen, 1280x1024 high resolution and 178° viewing with exquisite image, brings users comfortable visual experience.

10 points capacitive touch and 10ms fast response, support kinds of gestures by point or slide touch with nice check-out experience.



Support kinds of gestures

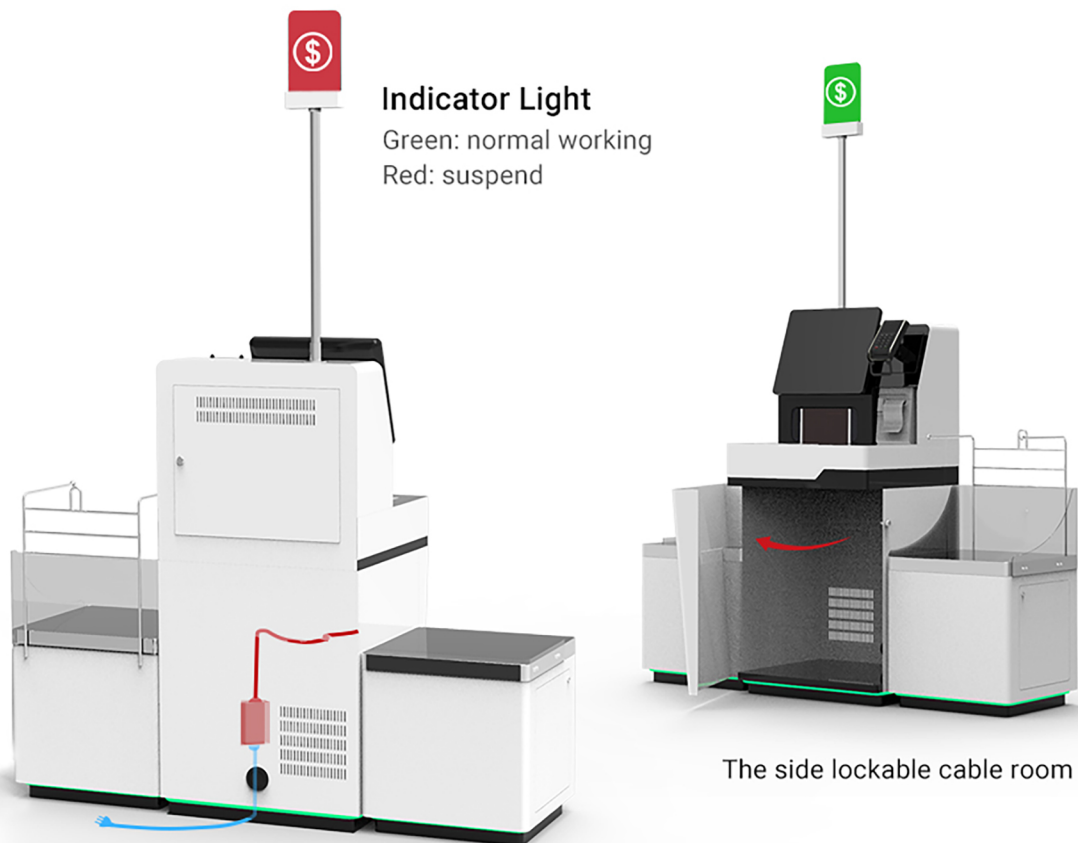


Eco-commercial Application Design

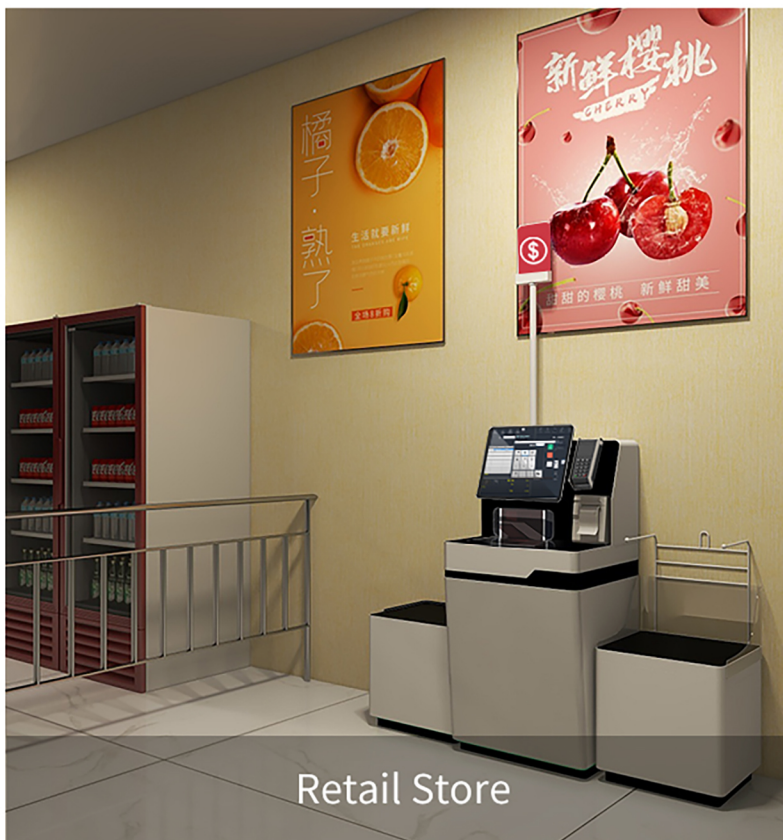
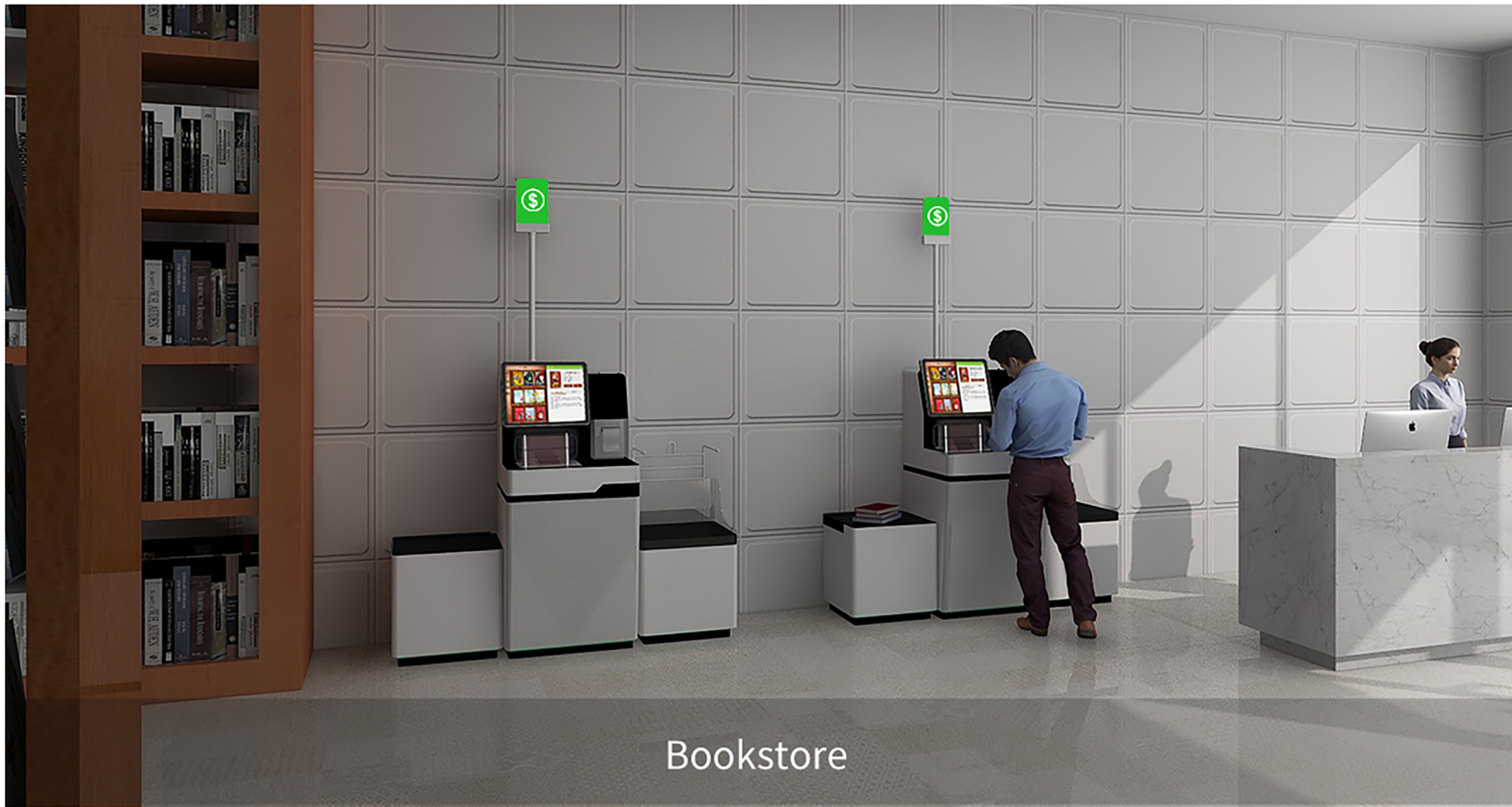
The touch screen is mounted on the connection board, and its cable is hidden routed from backward. The side lockable cable room is designed to store all kinds of cables and power switches, to prevent man-made misoperation and damage, giving consideration to both practicality and security.

The built-in metal tray under the scanner, keeps the cable room from water proof, and is convenient for daily cleaning.

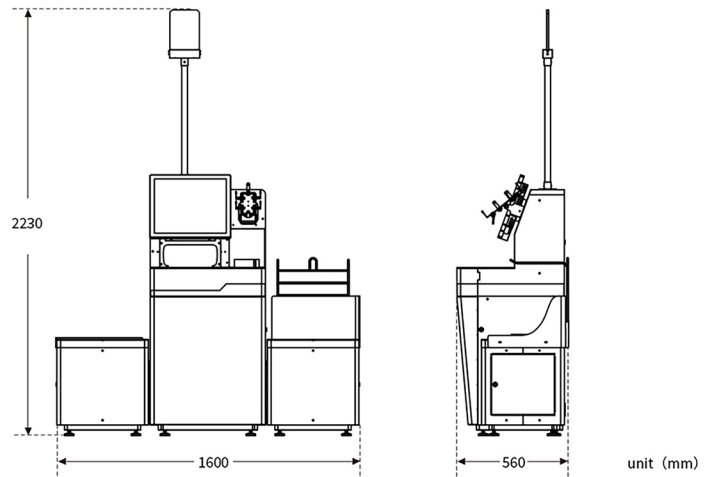
The indicator with red and green guiding light, up to 2.2 meters, is easy to guide the customers to the location of the check-out kiosk from distance . The green light indicates normal working condition, red signal tells suspend.



APPLICATIONS



SPECIFICATIONS



OS Support			
Operating System	WIN 10 (trial version)	Android 7.1	
CPU	Intel Celeron J1900 Quad-core 2G	RK3288 Cortex-A17 Quad-core, 1.8 GHz	
System Memory	4G	2G/4G	
Disk	64G/128G/256G(SSD)	8G/16G/32G/64G	
Interface			
Speaker	5W*2	5W*2	
Interface	USB*8/RJ45*1	USB*6/RJ45*1	
Network	Ethernet/WIFI	Ethernet/WIFI	
Touch Screen			
Type	PCAP 10points	Response Time	10ms
LCD			
Type	TFT-LCD	Contrast Ratio	1000:1
Screen Size	19"	Response Time	5ms
Max Resolution	1280 x 1024	Viewing Angle	H178° V178°
Aspect Ratio	5 : 4	Display Colors	16.7M
Brightness	250 cd/m ²	Refresh Rate	60Hz
Panel Life	30000 hours		
Devices			
Scanner	Vertical/horizontal dual windows for scanning		
Printer (Option)	Thermal printer with cutter, paper roll 80mm * 80mm		
UPS (Option)	660w / 1100va, sustainable power supply for half an hour		
Power			
Voltage	100-240VAC , 50/60Hz	Power Consumption	<165W
Enclosure			
Material	SPCC	Surface	Powder coating
Overall Size (mm)	L1600×W560×H2230	Net Weight	119kg
Package (mm)		Gross Weight	
Application			
Working Temperature	0~40°C	Storage Temperature	-20~60°C
Working Humidity	20%~80%	Storage Humidity	10%~90%
Application	Indoor		