

# 32" INFORMATION KIOSK

## KF-3200

- 32 inch screen, 10 points PCAP
- Large internal space to hide wires and store tools
- Support Ethernet and WIFI



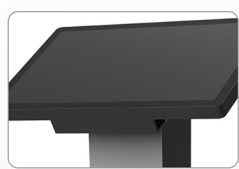
## FEATURE



**32" Touchscreen**  
Landscape mounting



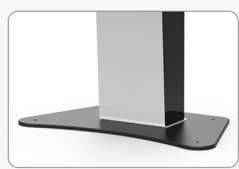
**35 Degrees Tilt Screen**  
Ergonomic design enhances visual effects and makes touch operation more comfortable



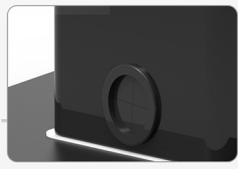
**Cable Cover**  
Keep wires and switches from being damaged in public



**Lockable Compartment**  
For internal hidden routing and placing adapters and small tools



**Stable Base (Two pieces spliced)**



**Routing Holes**

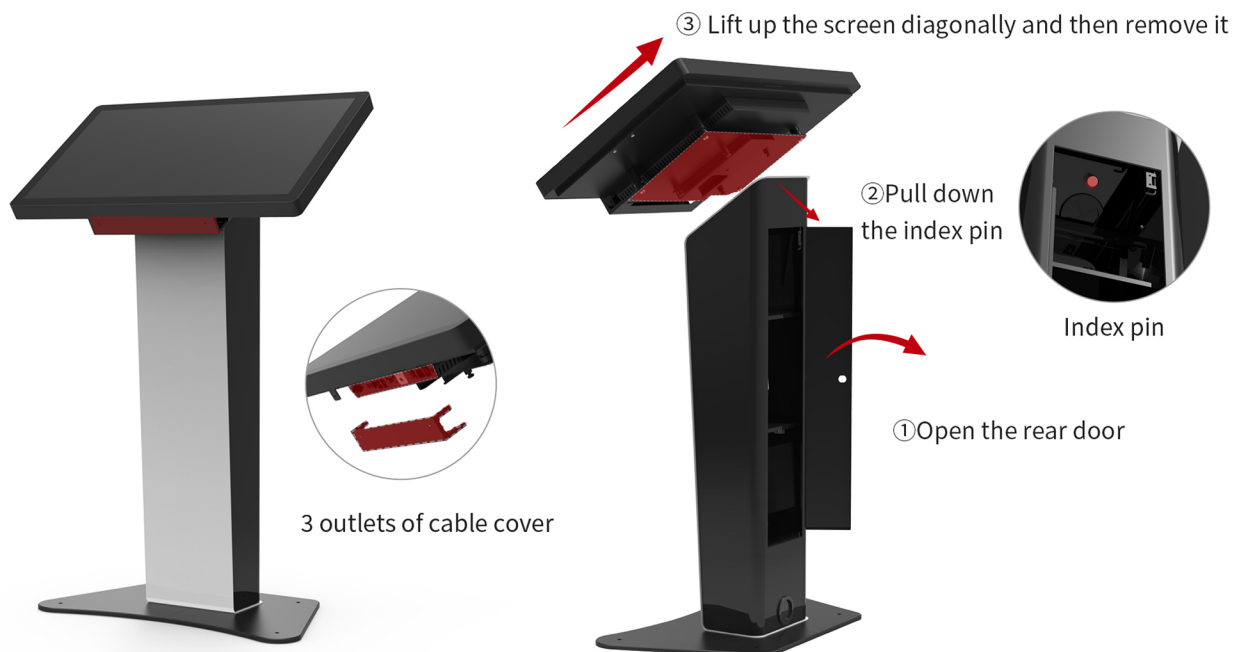
## All Metal Construction, Stable And Durable

Simple and sleek designing, with 35° angle touch screen display and appropriate height of the stand, KF-3200 fully consider the ergonomics, and provide users with the most comfortable viewing and operating experience. The touch screen display, stand and base are combined installation. Constructed with industrial heavy-duty steel, it ensures the stability and durability for whole unit.



## Multiple Security Design

The interfaces of touch screen display are designed with a cable management cover to protect the switch and wiring, and prevent manual plugging or damage. The cable management cover is screwed at the side, easy to maintenance. The touch screen display is fixed on the mounting stand by an index pin. After opened the rear door, the touch screen display can be removed by pulling down the index pin. Design of the index pin prevents the screen from being removed or stolen.





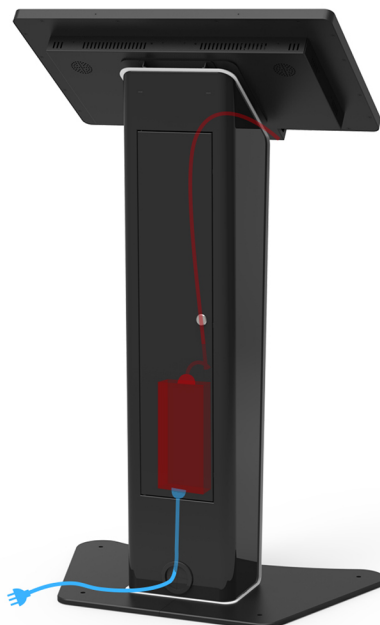
## Large Internal Space For Wiring And Storage

Inside the stand body, it is a lockable hidden compartment with horizontal partitions, wiring holes, etc. In addition to being used for internal wiring and cable protecting, it can also be used as a small storage space for storing power strips, adapters, small tools, to facilitate daily maintenance.



Rear door with key lock

## CABLE ROUTING





# APPLICATION



Museum



Office Building



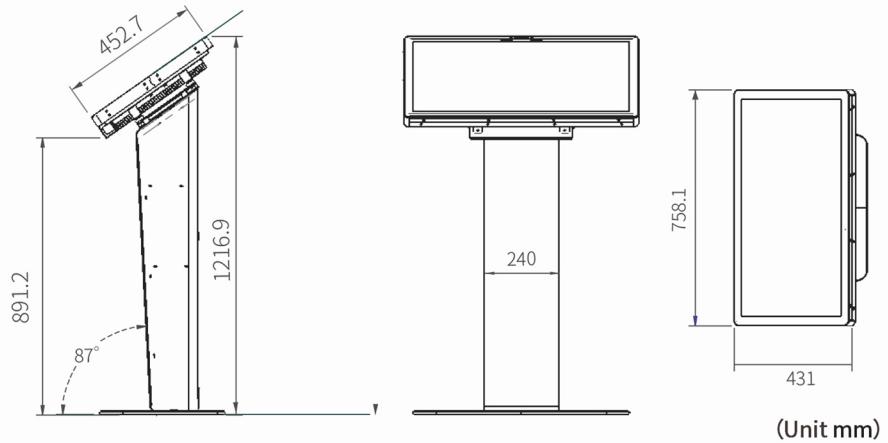
Exhibition



Library



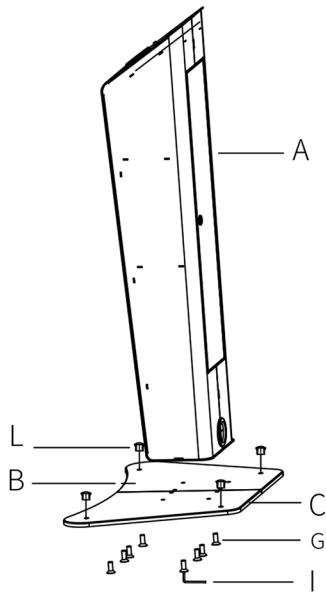
# SPECIFICATIONS



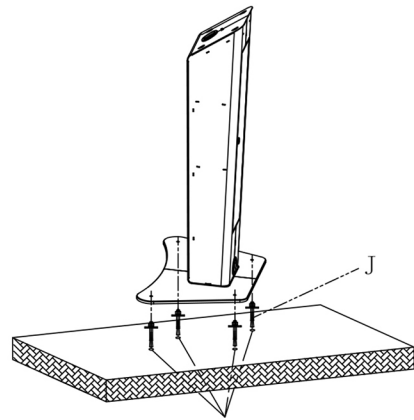
OS Support			
Operating System	WIN 10 (trial version)	Android 7.1 and higher version	
CPU	Intel Celeron J1900 Quad-core 2G	RK3288 Cortex-A17 Quad-core, 1.8 GHz	
System Memory	4G	2G/4G	
Disk	64G/128G/256G(SSD)	8G/16G/32G/64G	
Interface			
Speaker	5W*2	5W*2	
Interface	USB*4/RJ45*1	USB*2/RJ45*1	
Network	Ethernet/WIFI	Ethernet/WIFI	
Touch screen			
Type	PCAP 10 points	Response time	10ms
LCD			
Type	TFT-LCD	Contrast Ratio	1100:1
Screen Size	32"	Response time	10ms
Max Resolution	1920x1080	Viewing Angle	H178° V178°
Aspect Ratio	16:9	Display Colors	16.7M
Brightness	400cd/m <sup>2</sup>	Refresh Rate	60Hz
Panel Life	30000 hours		
Power			
Voltage	100-240VAC , 50/60HZ	Power Consumption	<60W
Enclosure			
Material	SPCC	Surface	Powder coating
Overall Size (mm)	694×402×1053 (stand) 758×431×1217 (kiosk- 32 inch monitor)	Net Weight	34.61kg (stand) 44.9kg (kiosk- 32 inch monitor)
Package (mm)	1135×330×410 (stand) / 800×210×600 (32 inch monitor)		
Gross Weight	38kg (stand) / 18.5kg (32 inch monitor)		
Application			
Working temperature	0~40°C	Storage temperature	-20~60°C
Working humidity	20%~80%	Storage humidity	10%~90%
Application	Indoor		

# INSTALLATION

①



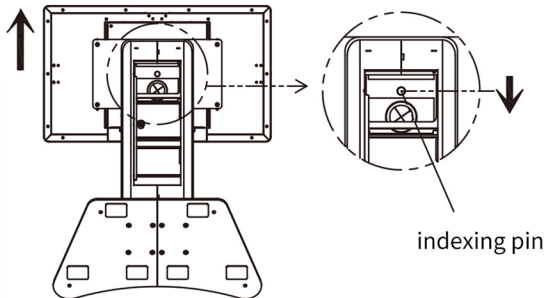
②



Drill 4  $\phi$  10 holes in the ground.  
The hole distance and size are shown in the figure below (sizes in mm)

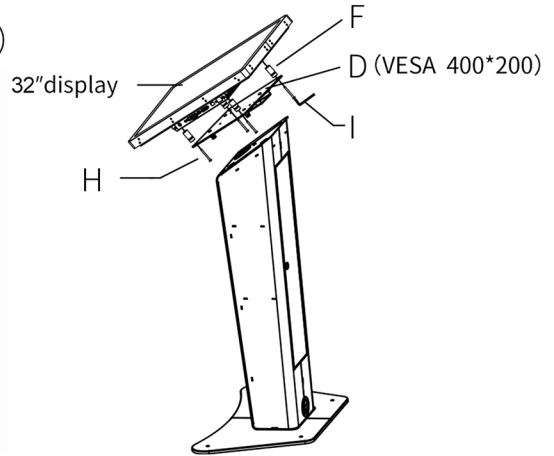
Bracket fixation:  
Expansion bolts are provided as accessories. Customer can use them as needed.

③

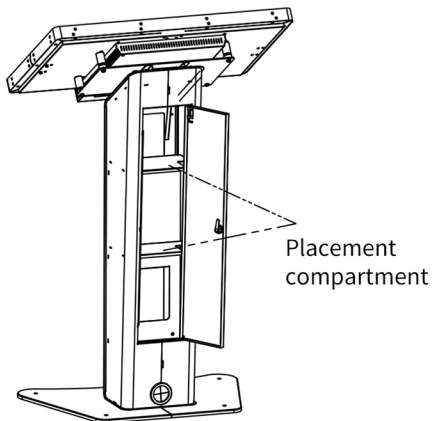


Disassembly of monitor:  
Monitor mounted on the stand through indexing pin. Therefore, to disassemble the monitor, please pull down the indexing pin at first as shown in the figure, and then take the monitor out

④



③



Placement compartment

④

