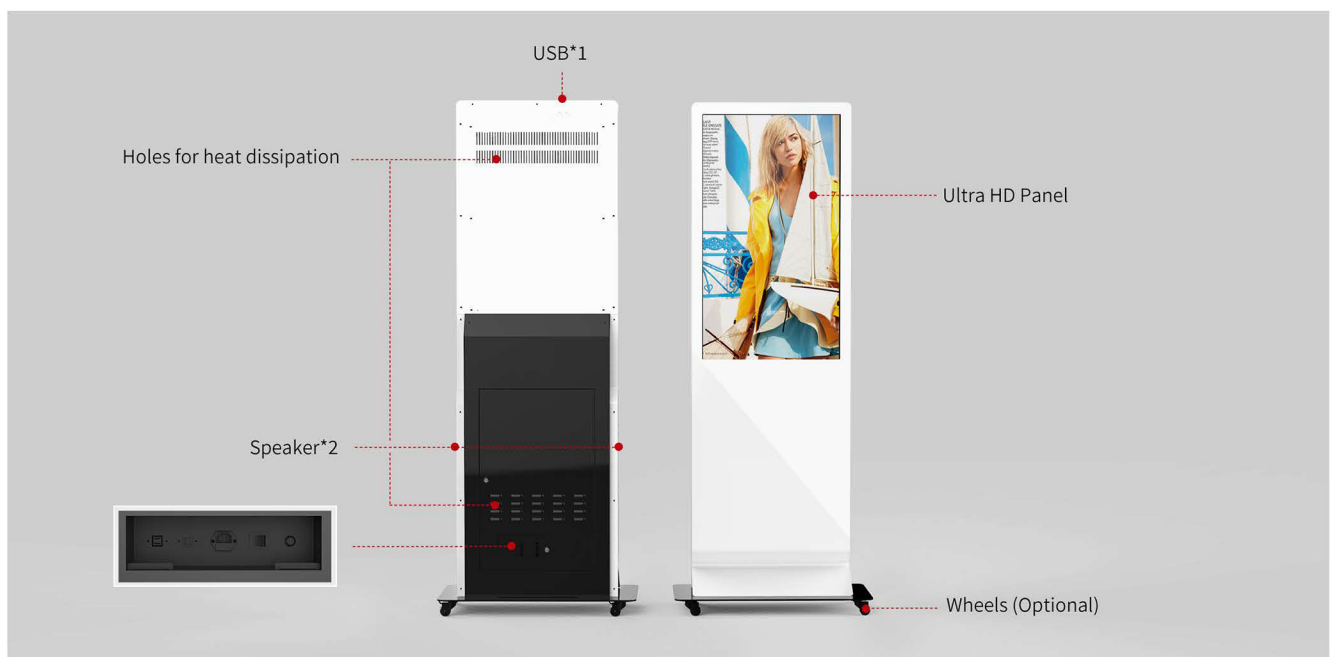


# DF-4300T

Digital Advertising Display



## FEATURES

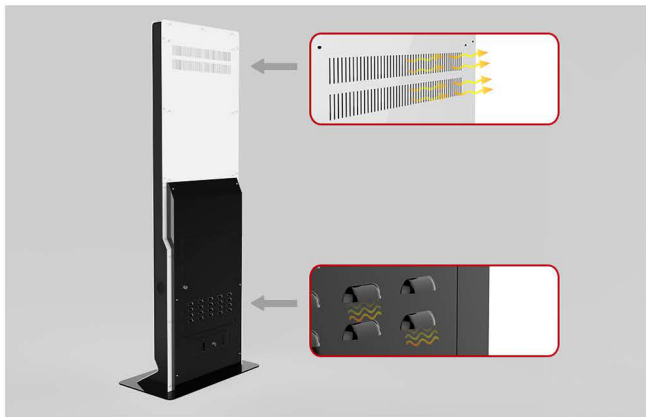




- The multi-point infrared touch technology support powerful interactive features and applications are wider.



- Designed with two - channel speakers



- Holes for heat dissipation



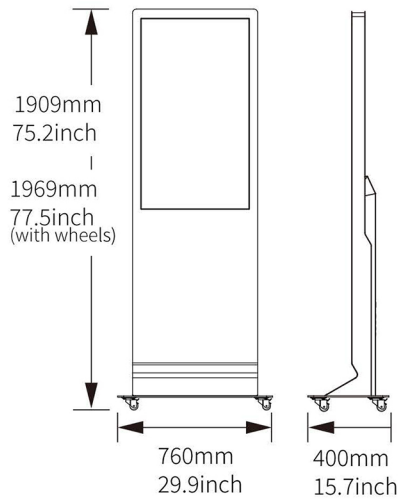
- For additional ports can be customized

## APPLICATIONS

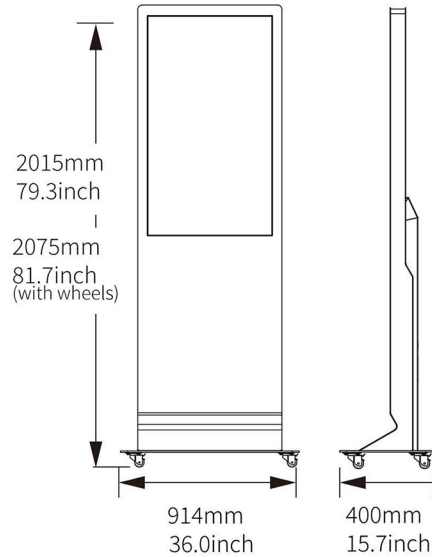


# SPECIFICATIONS

DF-4300T ( for model 43" )



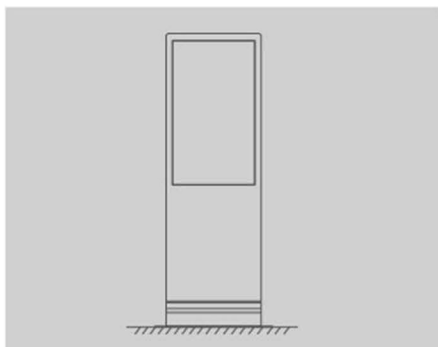
DF-5500T ( for model 55" )



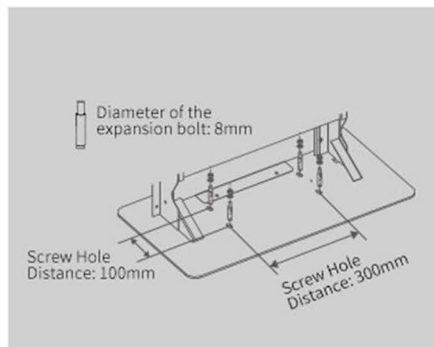
| OS Support          |  |                                      |                         |
|---------------------|--|--------------------------------------|-------------------------|
| Operating System    | WIN 10 (Trial version)   | Android 7.1 and higher version       |                         |
| CPU                 | Intel Celeron J1900 Quad-core 2G   | RK3288 Cortex-A17 Quad-core, 1.8 GHz |                         |
| System Memory       | 4G   | 2G/4G                                |                         |
| Disk                | 64G/128G/256G(SSD)   | 8G/16G/32G/64G                       |                         |
| Interface           |  |                                      |                         |
| Speaker             | 5W*2   | 5W*2                                 |                         |
| Interface           | USB*3/RJ45*1   | USB*2/RJ45*1                         |                         |
| Network             | Ethernet/WIFI  | Ethernet/WIFI                        |                         |
| Touch Screen        |  |                                      |                         |
| Type                | Projective Capacitive Touch(10 points)   | Response Time                        | 10ms                    |
| Type                | IR Touch screen(10 points)   | Response Time                        | 5ms                     |
| LCD                 |  |                                      |                         |
| Type                | TFT-LCD  | Contrast Ratio                       | 1100:1                  |
| Screen Size         | 43" / 55"  | Response Time                        | 12ms                    |
| Max Resolution      | 1920 x 1080  | Viewing Angle                        | H178° V178°             |
| Aspect Ratio        | 16 : 9   | Display Colors                       | 16.7M                   |
| Brightness          | 450 cd/m <sup>2</sup>  | Refresh Rate                         | 60Hz                    |
| Panel Life          | 50000 hours  |                                      |                         |
| Power               |  |                                      |                         |
| Voltage             | 100-240VAC , 50/60Hz   | Power Consumption                    | <75W(43") / <100W(55")  |
| Enclosure           |  |                                      |                         |
| Material            | SPCC   | Surface                              | Powder coating          |
| Net Weight          | 73kg(43") / 99kg(55")  | Gross Weight                         | 151kg(43") / 191kg(55") |
| Overall Size        | L760xW400xH1909 mm / L760xW400xH1969 mm (43" with wheels)<br>L914xW400xH2015 mm / L914xW400xH2075 mm (55" with wheels) |                                      |                         |
| Package             | L2095xW870xH610 mm (43") / L2190xW1030xH610 mm (55")   |                                      |                         |
| Application         |  |                                      |                         |
| Working Temperature | 0~40°C   | Storage Temperature                  | -20~60°C                |
| Working Humidity    | 20%~80%  | Storage Humidity                     | 10%~90%                 |
| Application         | Indoor   |                                      |                         |

# Assembly & Installation

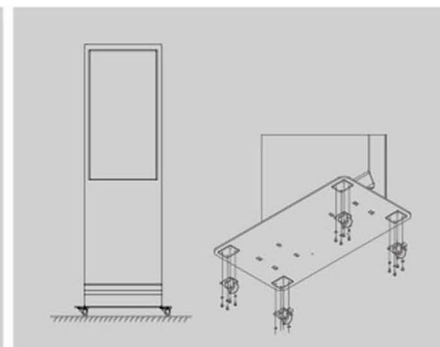
## Mounting Options



Free Floor Standing without wheels



Screw the stand base to the floor for fixed placement



Free Floor Standing with Wheels

## Packing List



Product  
x1



Key  
x2



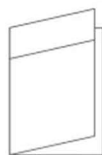
Expansion Screws  
x4



Fuse Tool  
x1



Power Cord  
x1



User Manual  
x1



Certificate  
x1